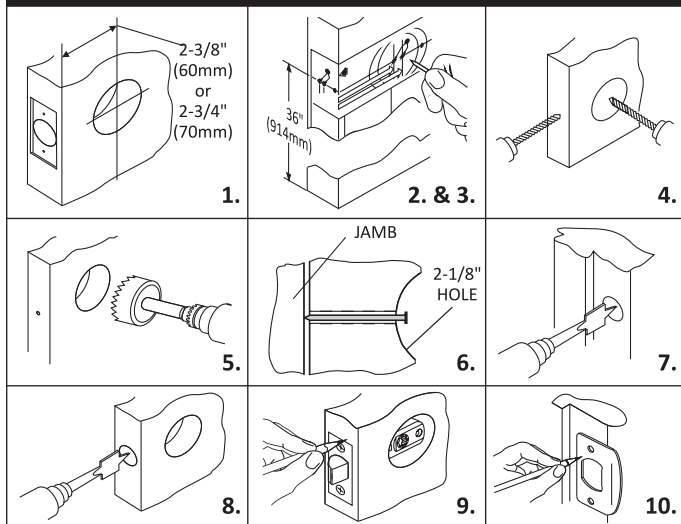


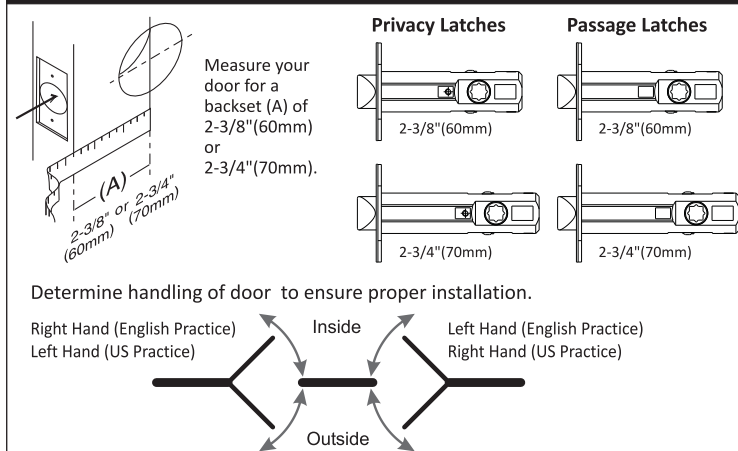
## Installation Instructions for Etna and Agrigento Privacy, Passage & Dummy

### 1. Door Preparation and Drilling Instructions



1. Measure and note the backset distance of the latch you require for this installation.
2. Place template on door with fold line on door edge, centerline approximately 36" (914mm) from floor.
3. Mark the center location of the 2-1/8" (54mm) door face hole, using backset distance you selected. Then mark the appropriate center for your door thickness on the door edge.
4. Where marked, drill 1/8" (3mm) diameter pilot holes, drill hole through at door face location and 2" deep at door edge location.
5. Drill the 2-1/8" (54mm) door face hole about half way through and finish drilling from the other side to prevent splintering
6. To mark strike plate hole location, close door and press a 2" (51mm) common nail, from inside the 2-1/8" hole, through pilot hole until nail makes indentation in door jamb.
7. Drill a 1" (25mm) diameter hole 1/2" (12.5mm) deep in door jamb where marked.
8. At door edge, drill the 1" (25mm) hole, deep enough to enter the 2-1/8" (54mm) cross bore hole.
9. Insert latch in door edge and trace outline of face plate. Chisel out area approximately 1/8" (3mm) deep to allow face plate to seat flush with door edge. With latch in door, mark screw hole centers. Remove latch and drill the 3/32" (2mm) diameter pilot screw holes, 1/2" (12.5mm) deep.
10. Center strike plate over hole on jamb and trace outline. Chisel out area 1/16" (1.6mm) deep to allow strike plate to seat flush with jamb. Place strike on jamb and mark screw hole centers. Drill 3/32" (2mm) diameter pilot screw holes 1/2" (12.5mm) deep.

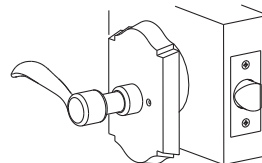
### 2. Determine Backset of Door



### 4. Install Exterior and Interior Assemblies

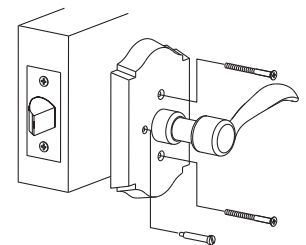
#### For Privacy Lever or Knobset

- 4-1 Place exterior Lever or Knob on to door face ensuring that the Square spindle seats into the Latch Crank.



- 4-2 Then align interior Lever or Knob to fit the Latch Crank & hold in place on the internal door surface. Insert & tighten the 2 metal fixing screws through the 2 fixing points above & below the internal Lever or Knob making sure the escutcheons or rose plates are square to the door edge.
- 4-3 Take the Privacy Button & insert into hole close to the door edge on the internal escutcheon or rose plate, aligning it with the button hole in the privacy latch using a slotted / flat head screwdriver tighten until firm.

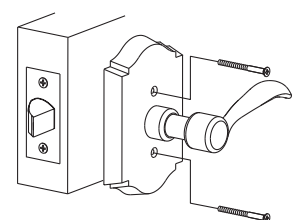
- 4-4 Use the Allen/Hex Key supplied to tighten the Allen / Hex screw situated on the collar of the Lever or Knob on both sides of the door.



- 4-5 With the door open, test the privacy function by depressing the Privacy Button, which should lock the external Lever or Knob, then turn the internal Lever or Knob & the Privacy Button should kick off & leave the set in passage mode.

Note: If you need to gain access from the outside when the privacy mode is engaged, insert a small pointed object through the hole on the external escutcheon/rose plate & push to unlock the Lever or Knobset. Ensure that all the functions of this Privacy set work as intended by testing each function to complete the installation.

- 4-6 Place the exterior Lever or Knob on to the door face, ensuring that the Square spindle seats into the Latch Crank.
- 4-7 Then align the interior Lever or Knob to fit the Latch Crank & hold in place on the internal door surface. Insert & tighten the 2 metal fixing screws through the 2 fixing points above & below the internal Lever or Knob, making sure the escutcheons or rose plates are square to the door edge.
- 4-8 Use Allen/Hex Key supplied to tighten the Allen/Hex screws situated on the collar of the Lever or Knob on both sides of the door.



### 3. Install Latch

#### For Privacy Lever or Knobset

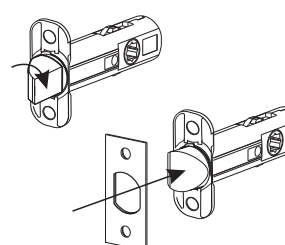
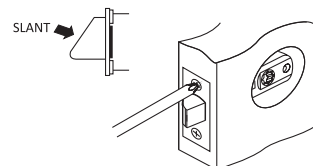
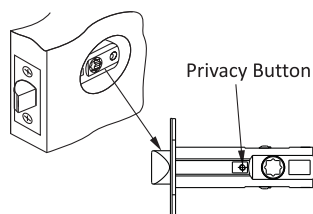
Depress the Privacy Button on the Latch then insert the Privacy Latch into the 25mm (1") hole on door edge, then through into the black plastic screw locator within the 54mm (2-1/8") cross bore hole until flush to the door edge, ensuring that the privacy button is visible from the interior side of the door.

Before installing the Latch Face Plate make sure the Slant of the latch bolt faces in the direction that the door closes by simply turning the latch bolt to the correct position, then fit the Latch Face Plate over it & secure with the 2 wood fixing screws.

#### For Passage Lever or Knobset

Insert Passage Latch into 25mm (1") hole on door edge then through into the black plastic screw locator within the 54mm (2-1/8") cross bore hole until flush to the door edge.

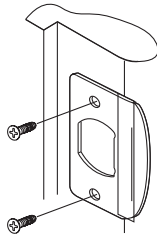
Before installing the Latch Face Plate make sure the Slant of the latch bolt faces in the direction that the door closes by simply turning the latch bolt to the correct position, then fit the Latch Face Plate over it & secure with the 2 wood fixing screws.



## 5. Install Strike

Install Strike Plate to the previously prepared door jamb with the wood screws provided.

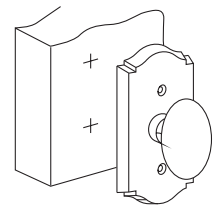
Test the Lever or Knobset for smooth latching operation.



## 6. Installation of Single Side or Double Sided Dummy Lever or Knob: Door Preparations & Drilling Instructions

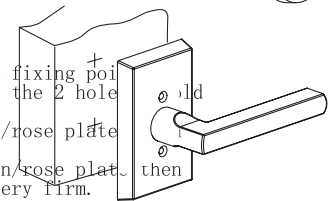
### Single Side Dummy

- 6-1. Select the Backset that suits your installation using the template sheet.
- 6-2. Fold along desired backset line, either 60mm (2-3/8") or 70mm (2-3/4").
- 6-3. Place fold line along edge of door, with center line approximately 965mm (38") from floor.
- 6-4. Mark the center location for the 2 fixing points on to the door.
- 6-5. Drill 2 x 2mm (5/64") pilot holes at the marked fixing points about 6mm (1/4") deep.
- 6-6. Using the wood screws provided fit the Dummy Lever or Knob to the door via the 2 pilot holes in the door & tighten firmly..



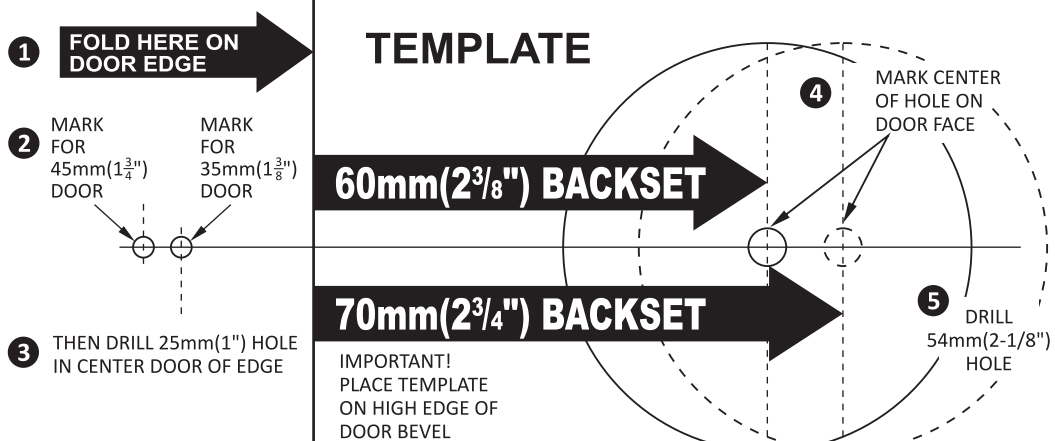
### Double Sided Dummy - Same Steps as 6-1~6-3 above, then

- 6-7. Mark the center location for the 2 x 6.5mm (1/4") fixing holes.
- 6-8. Drill 2 x 6.5mm (1/4") fixing holes right through the door at the marked fixing points.
- 6-9. Slide the 2 fixing posts of the external Lever or Knob assembly through the 2 holes to the door surface.
- 6-10. Align internal Lever or Knob assembly so the 2 holes in the escutcheon/rose plate align with the holes in the door.
- 6-11. Install the 2 metal thread screws through the 2 holes in the escutcheon/rose plate into the 2 fixing posts of the external assembly & tighten until very firm.

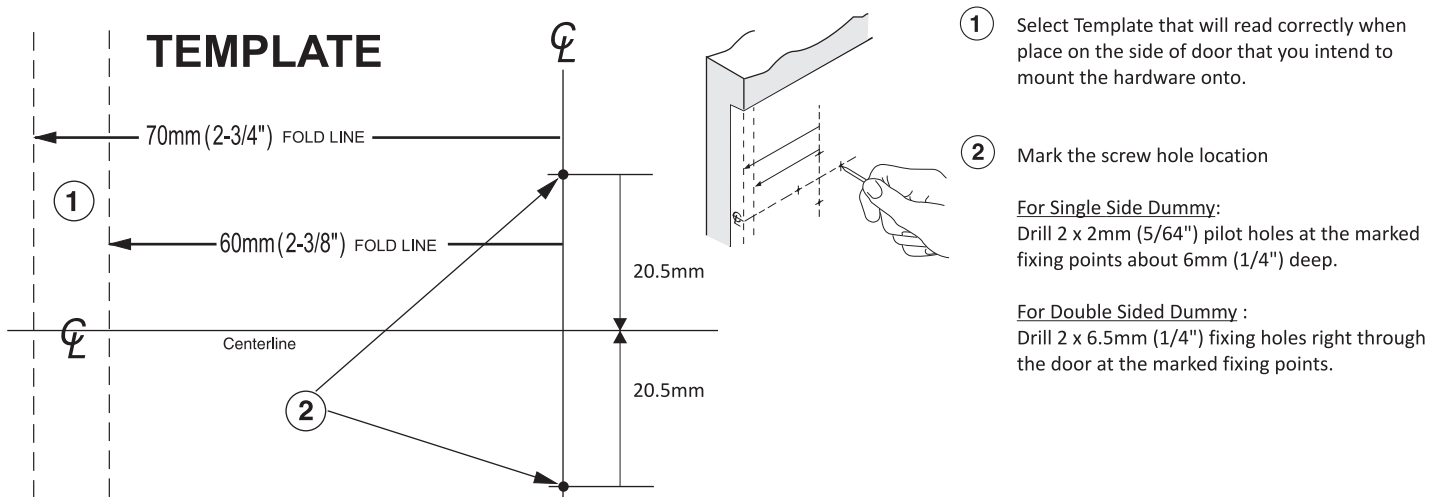


## Installation Templates

### For Privacy and Passage Sets



### For Single Side & Double Sided Dummy



This product is warranted to be free from mechanical & workmanship defects for 7 years & free from finish & surface defects for 5 years from the original date of purchase. Should a mechanical or finish defect occur within this warranty period just return the product along with proof of purchase to point of purchase for replacement. Premature finish deterioration due to the use of solvents, acid cleaners, paints, climatic conditions i.e. salt air or surface abrasion by keys or jewellery is not considered a defect & thus not covered by this warranty. The same applies for mechanical failure due to the incorrect installation, misuse or abuse will not be covered by this warranty. The removal & refitting of the product & any associated handling & transportation costs is not covered by this warranty. N2LOK reserves the right to modify product styles & finishes without notification. If the same product model is no longer available a similar product model will be supplied. Any accessories, spare parts & trim purchased separately to complete & compliment the lockset or hardware are not covered by this warranty.



# N2LOK

\* The Rustique Series features an Oil Rubbed Bronze finish which is known as a "Living Finish". The oxidized brown patina coating on this finish can wear through with frequent use to reveal more of the copper sub plating. This wear of the oxidized coating is normal and does not affect the overall integrity of the bronze plated finish which is meant to age gracefully with time use & the atmosphere. Thus any wearing of the oxidized patina coating is not covered under warranty.

### PRODUCT CARE:

Bronze is a robust, quality substrate that due to the nature of the age old process of sand casting and the applied patina finish will change through time. When necessary use a soft cloth and mild soapy water to clean and dry this product. Avoid the use of aggressive cleaners and detergents they should not be used to clean this product.

