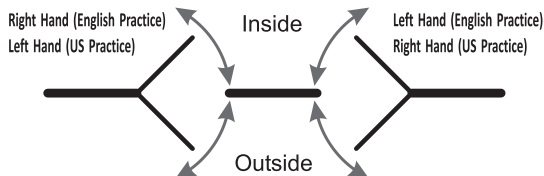


Door Handing

Determine handing of door to ensure proper installation.



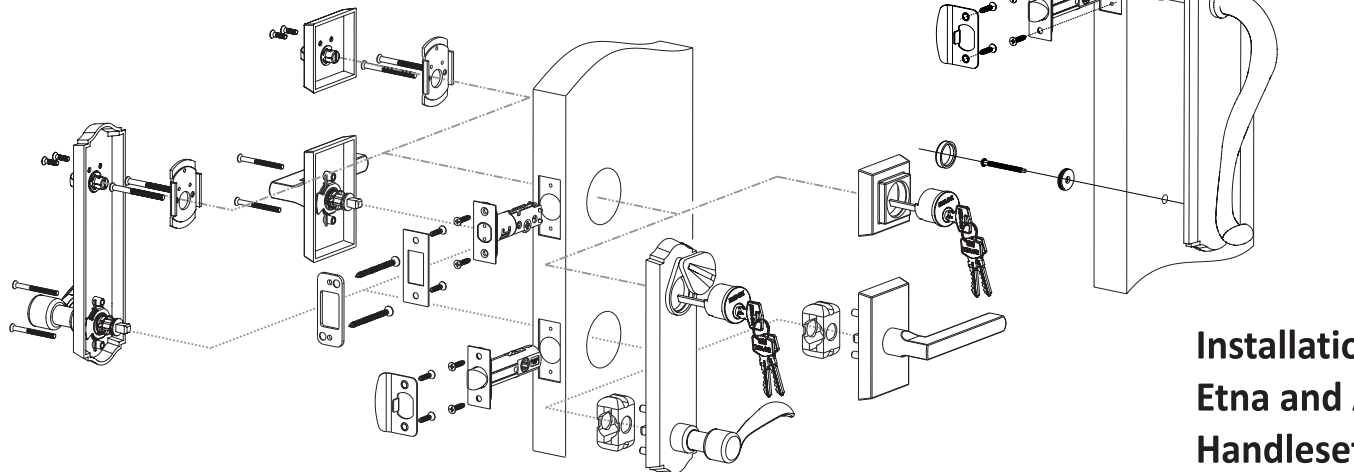
N2LOK

Hardware Trading Pty Ltd

Rustique
SERIES

LIMITED WARRANTY
7
YEAR
MECHANICAL

LIMITED WARRANTY
5
YEAR
FINISH



Installation Instructions for Etna and Agrigento Handleset, Entry & Deadbolt

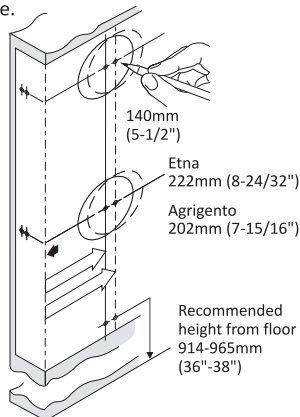
Door Preparation

A. Mark Door

Use template enclosed to mark off installation holes on both sides of door.

Mark locations for the 25.4mm (1") diameter holes in center of door edge.

Check backset desired, mark appropriate center for 54mm (2-1/8") diameter holes and 9mm (11/32") diameter hole on door face.



B. Drill Holes

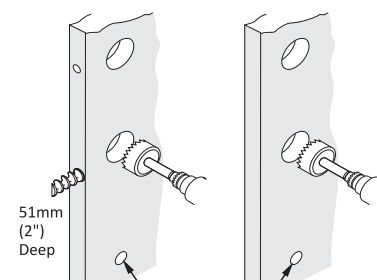
Bore 54mm (2-1/8") holes about halfway through door, then finish drilling from the other side to prevent Splintering. Drill 45mm (1-3/4") hole for individual Deadbolt Installation.

Drill the 9mm (11/32") hole for the bottom mounting screw for the handle. No need to drill this hole for Entry and Deadbolt installation.

Drill the 25.4mm (1") holes for about 51mm (2") deep in the door edge for latches.

Note: For Dummy, no need for latch holes.

Functional Handleset Dummy Handleset



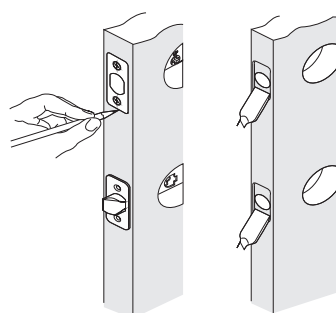
No need to drill this hole for Entry and Deadbolt installation.

C. Chisel cavity for Latch & Strike

Insert latches into the holes, keeping the face plate parallel to the edge of door. Mark outline and remove latches.

Chisel 4mm (1/8") deep or until the face plate of latch is flush with the door edge.

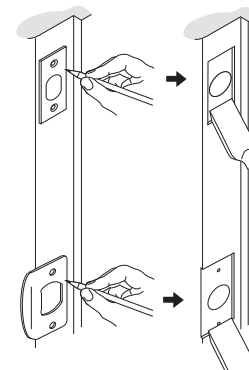
Note: No chiseling is required for latch if you are using a drive in latch. (Latch without face plate)



For Deadbolt Latchbolt at the top center, mark outline on the Door Jamb, using a 22mm (7/8") diameter Drill Bit to drill the Door Jamb to a depth of 25.4mm (1").

For Passage Spring Latch at the bottom center, mark outline on the Door Jamb, using a 22mm (7/8") diameter Drill Bit to drill the Door Jamb to a depth of 13mm (1/2").

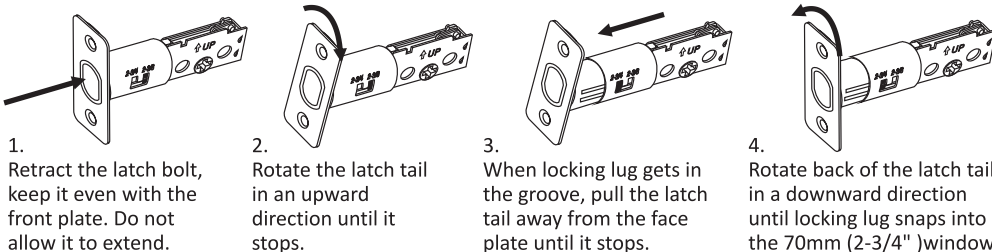
Chisel outline for strike plates 1.5mm (1/16") deep or until the striker plates are flush with the door jamb.



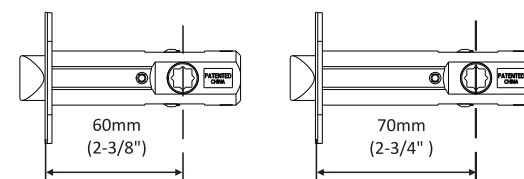
Latch Preparation

Measure your door for a backset of 60mm (2-3/8") or 70mm (2-3/4"). If backset of door measured 70mm (2-3/4") adjust latch as shown.

Deadbolt Latch



Spring Latch

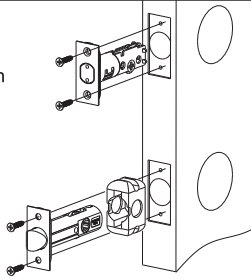


Select either the 60mm or 70mm backset Spring Latch to match the Deadbolt backset.

Installation Instructions

D. Install Latches

Insert deadbolt latch in up position into hole as shown. With the "UP" at the top. Drill 2mm(3/32") pilot holes then secure with screws



Place the black plastic screw locator into the 54mm crossbore hole, then insert the Springlatch into the door then into the black plastic screw locator, with the slant of the latch bolt facing the direction that the door closes. Drill 2mm(3/32") pilot holes then secure Latch Face Plate over the Latch Bolt with the 2 fixing screws.

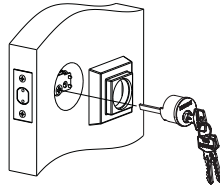
For Deadbolt Models:
Install only the Deadbolt latch.

For Handleset & Entry Models:
Install both Deadbolt & Spring Latches as above.

Deadbolt

Install exterior assembly with the torque blade vertically inserted into latch crank. The tapped holes on the cylinder should be lined up with latch holes.

The Key Way should be at the 6:00 o'clock position.



E. Install Exterior Assembly

Functional Handleset:

Align the Exterior Handle so the square spindle fits into the hub of the Springlatch & the fixing stems fit the recess in the black plastic screw locator above & below the Spring latch, along with the bottom fixing stem to fit into the 9mm drilled hole, press firmly against the door face.

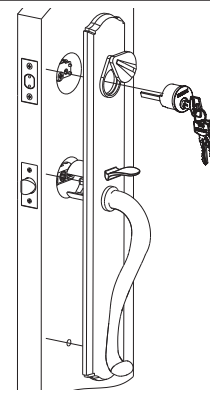
Install exterior deadbolt cylinder with the torque blade vertically inserted into the latch crank.

Entry Set (Escutcheon or Sectional)

Align the Exterior assembly so the square spindle fits into the hub of the Spring latch & the fixing stems fit into the 2 holes of the Spring latch, press firmly against the door face.

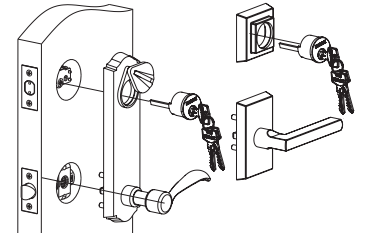
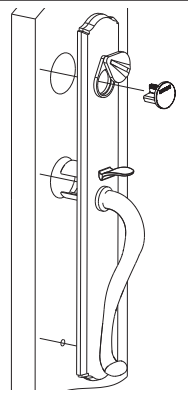
Install exterior deadbolt cylinder with the torque blade vertically inserted into the latch crank.

For Sectional Entry set: In Top Hole Install the Exterior Deadbolt Cylinder assembly with the Torque Blade horizontally inserted into the Deadbolt Latch crank. In the Bottom Hole fit the external lever/knob & rose assembly so the square spindle fits into the hub of the Springlatch & the 2 fixing stems slide into the recesses in the black plastic screw locator above & below the Springlatch.



Dummy Handleset:

Place Exterior Dummy Handle with internal mechanism and the bottom fixing stem get into the drilled hole; put the Dummy cylinder into the cylinder hole on the handle.



F. Install Interior Assembly

Functional Handleset

For Single Cylinder Models

With the Exterior Handle in place install the Sub Fixing Plate through the Deadbolt latch with 2 screws until tight.

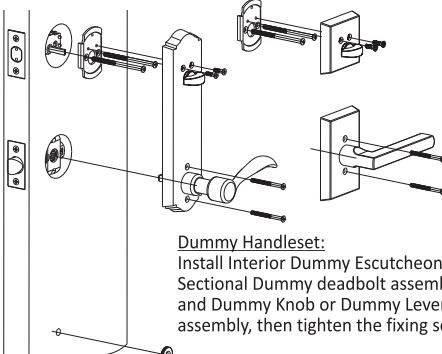
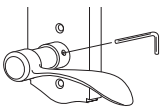
Now place the internal Escutcheon assembly aligning the Cylinder tailpiece/torque blade with the slot in the Turn Snib & the square spindle into the latch hub at the same time.

Fit the shorter fixing screw in the hole above the Turn Snib then tighten into the receiving hole in the Sub Fixing Plate.

Ensure the escutcheon is square to the door edge now fit & tighten the 2 fixing screws through the escutcheon above & below the knob or lever.

For Sectional Interior Assembly models, same process as above, but fit internal Deadbolt Turn Snib with the 2 metal thread fixing screws in the 2 holes above the Turn Snib. Then proceed to fit the Lever or Knob on rose assembly below the Deadbolt with the 2 metal thread screws into the fixing holes above & below the Lever or Knob, ensuring that the rose is square to the door edge then tighten until firm.

Using the Allen/Hex Key supplied to tighten the Allen/Hex screw situated in the collar of the lever or knob.



Dummy Handleset:

Install Interior Dummy Escutcheon or Sectional Dummy deadbolt assembly and Dummy Knob or Dummy Lever assembly, then tighten the fixing screws.

Install screw through the threaded washer into the 9mm fixing hole & tighten the fixing screw until very firm. Place decorative threaded Screw Cap onto the threaded washer then hand tighten.

For Double Cylinder Models:

Place the internal assembly with the Torque Blade horizontally insert into the Latch Bolt Crank. The Key Way should be at the 6:00 o'clock position.

Install Interior cylinder assembly, insert the fixing screws, engaging exterior cylinder and tighten.

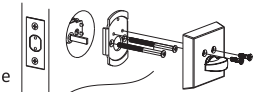
Entry Set (Escutcheon or Sectional):

Interior Assembly Installing process to be same as Functional Handleset.

Deadbolt

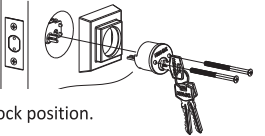
For Single Cylinder Models:

Place the Turn Snib Assembly on door, keep the Turn Snib on the horizontal position, insert screws, engaging the Exterior cylinder and tighten.



For Double Cylinder Models:

Place the internal assembly with the Torque Blade horizontally insert into the Latch Bolt Crank. The Key Way should be at the 6:00 o'clock position.



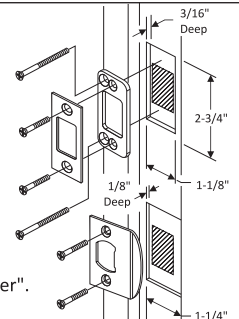
Install Interior cylinder assembly, insert the fixing screws, engaging exterior cylinder and tighten.

NOTE: Do not overtighten the fixing screws. We recommend you use a Screw Driver not a Cordless Power Driver.

G. Install Striker Plates

Place the strike plates on the door jamb, fit onto the previously chiseled cavities, then Drill 2mm(3/32") pilot holes and secure with wooden screws provided.

Note for the Deadbolt you have the option to include the "Door Frame Strengtheners" which fits under the normal striker plate secured with the 2 long wood screws. This option requires more chiselling to accommodate the "door Frame Strengtheners".



This product is warranted to be free from mechanical & workmanship defects for 7 years & free from finish & surface defects for 5 years from the original date of purchase. Should a mechanical or finish defect occur within this warranty period just return the product along with proof of purchase to point of purchase for replacement. Premature finish deterioration due to the use of solvents, acid cleaners, paints, climatic conditions i.e. salt air or surface abrasion by keys or jewellery is not considered a defect & thus not covered by this warranty. The same applies for mechanical failure due to the incorrect installation, misuse or abuse will not be covered by this warranty. The removal & refitting of the product & any associated handling & transportation costs is not covered by this warranty. N2LOK reserves the right to modify product styles & finishes without notification. If the same product model is no longer available a similar product model will be supplied. Any accessories, spare parts & trim purchased separately to complete & compliment the lockset or hardware are not covered by this warranty.

* The Rustique Series features an Oil Rubbed Bronze finish which is known as a "Living Finish". The oxidized brown patina coating on this finish can wear through with frequent use to reveal more of the copper sub plating. This wear of the oxidized coating is normal and does not affect the overall integrity of the bronze plated finish which is meant to age gracefully with time use & the atmosphere. Thus any wearing of the oxidized patina coating is not covered under warranty.

PRODUCT CARE:

Bronze is a robust, quality substrate that due to the nature of the age old process of sand casting and the applied patina finish will change through time. When necessary use a soft cloth and mild soapy water to clean and dry this product. Avoid the use of aggressive cleaners and detergents they should not be used to clean this product.

