

# N2LOK

Hardware Trading Pty Ltd

**ABODE**  
SERIES

**DOMAINE**  
SERIES

*Maison*  
SERIES



## Installation Instructions for Dummy Knob & Lever

### 1. Installation Instruction

#### Abode Series Stamped Rose

1. Place Dummy Knob or Dummy Lever assembly on door.
2. Secure with wooden screw.



#### Domaine Series Stamped Rose

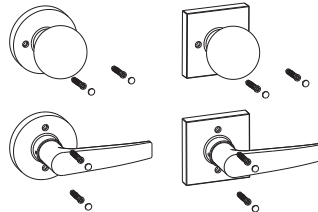
The Installation Key is only provided to this series of Dummy.



1. Remove knob or lever by pressing down the knob catch with the installation key.
2. Prise up and remove the rose cover from the liner.
3. Install the interior assembly (without knob/lever or the rose cover), secure with screw.
4. Snap on the Rose Cover onto the liner, then insert the knob/lever back on the stem.

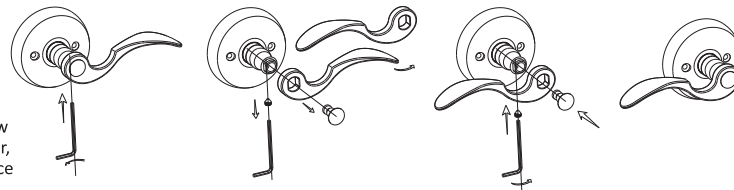
#### Abode & Domaine Series Zinc Die Casting Rose

1. Place Dummy Knob or Dummy Lever assembly on door.
2. Secure with wooden screw.
3. Push the Plastic Screw Caps into the Fixing Screw until flush to conceal the Fixing Screw Head for a clean installation.

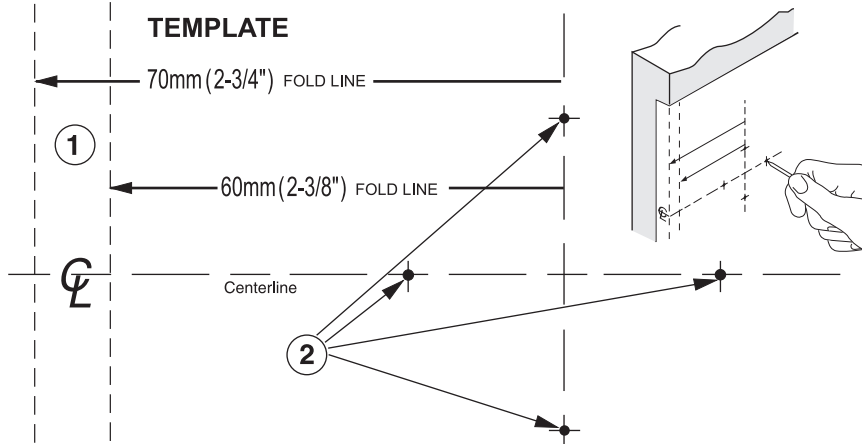


#### Maison Series

1. Place Dummy Knob or Dummy Lever assembly on door.
2. Secure with wooden screws.
3. For Maison Dummy Lever only, lever can be reversed the handing. Use the Allen/Hex key tool provided to release the Allen/Hex screw from underneath of the lever neck, remove cover pin and the lever, then reverse the lever, put the lever and the cover pin back in place then retighten the Allen/Hex screw.



## 2. Drilling instruction for Door Preparation



1. Select template that will read correctly when place on the side of door that you intend to mount the hardware onto.

Fold along desired fold line and place fold on door edge with centerline approximately 965mm(38") or desired height from floor.

2. Mark screw hole centers.

3. Drill 2mm(3/32") diameter pilot holes, 12.7mm(1/2") deep at screw hole centers.



This product is warranted to be free from mechanical & workmanship defects for 7 years and free from finish & surface defects for 5 years from the original date of purchase. Should a mechanical or finish defect occur within this warranty period just return the product along with proof of purchase to point of purchase for replacement. Premature finish deterioration due to the use of solvents, acid cleaners, paints, climatic conditions i.e. salt air or surface abrasion by keys or jewellery is not considered a defect & thus not covered by this warranty. The same applies for mechanical failure due to the incorrect installation, misuse or abuse will not be covered by this warranty. The removal & refitting of the product & any associated handling & transportation costs is not covered by this warranty. N2LOK reserves the right to modify product styles & finishes without notification. If the same product model is no longer available a similar product model will be supplied. Any accessories, spare parts & trim purchased separately to complete & compliment the lockset or hardware are not covered by this warranty.

