

N2LOK

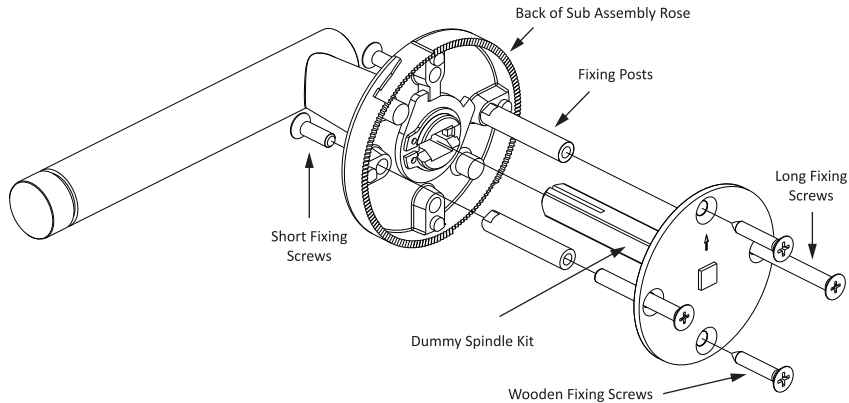
Hardware Trading Pty Ltd

ABODE
SERIES

LIMITED WARRANTY
7
YEAR
MECHANICAL

LIMITED WARRANTY
5
YEAR
FINISH

Installation Instructions for Dummy Fixing Kit

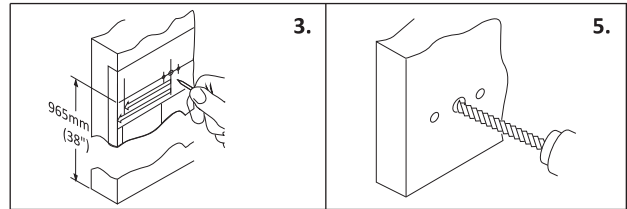


Installation Instruction for Dummy Fixing Kit

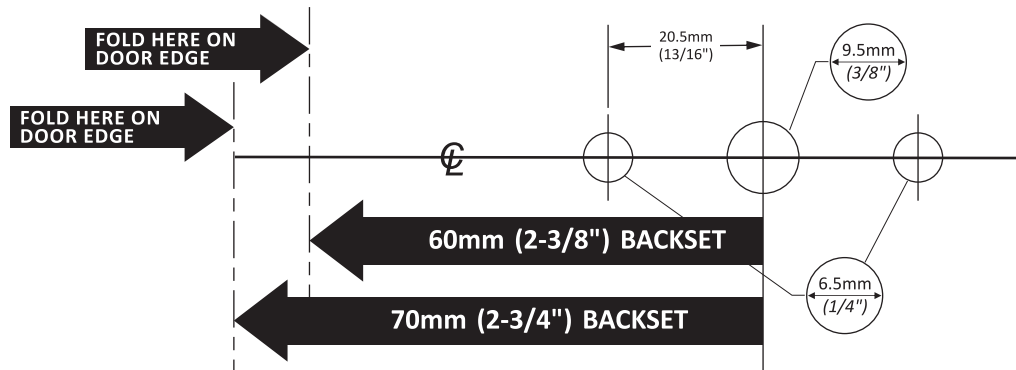
<p>1.</p>	<p>2.</p>	<p>3.</p>	<p>4.</p>
<p>5.</p>	<p>6.</p>	<ol style="list-style-type: none">1. Remove the Rose Cover from the selected Lever.2. Using the 2 short screws firmly tighten the 2 Fixing Posts through the Sub Assembly Rose .3. Install lever assembly onto door (note the location of grub screw on the neck of lever).4. From the inside of the Door slide the Dummy Spindle into the center hole making sure the "Grub Screw Groove" is facing the bottom to align with the Grub Screw position on the bottom of the Lever collar/neck & the Arrow stamped on the back of the Dummy Spindle should be pointing to the top of the door. Firmly tighten the 2 longer fixing screws through the back of the Dummy Spindle Plate into the 2 posts affixed to the Lever Sub Rose Assembly.5. Tighten the Grub Screw on the neck of the lever firmly until flush.6. Fit the "Snap to Fix" Dummy Cover Plate to complete the installation.	

Door Preparation and Drilling Instructions

1. Select the Backset that suits your installation on Template sheet? below.
2. Fold along desired backset line, either 60mm(2-3/8") or 70mm(2-3/4").
3. Place fold line along edge of door, with center line approximately 965mm(38") from floor.
4. Mark the center location of the two 6.3mm(1/4") holes and the 9.5mm(3/8") diameter hole.
When marked, drill pilot holes of 2mm(5/64") diameter through the door.
5. Using the required 9.5mm(3/8") and 6.5mm(1/4") drill bits, drill holes halfway through, then finish drilling from the other side to avoid splintering.



Installation Templates



This product is warranted to be free from mechanical & workmanship defects for 7 years and free from finish & surface defects for 5 years from the original date of purchase. Should a mechanical or finish defect occur within this warranty period just return the product along with proof of purchase to point of purchase for replacement. Premature finish deterioration due to the use of solvents, acid cleaners, paints, climatic conditions i.e. salt air or surface abrasion by keys or jewellery is not considered a defect & thus not covered by this warranty. The same applies for mechanical failure due to the incorrect installation, misuse or abuse will not be covered by this warranty. The removal & refitting of the product & any associated handling & transportation costs is not covered by this warranty. N2LOK reserves the right to modify product styles & finishes without notification. If the same product model is no longer available a similar product model will be supplied. Any accessories, spare parts & trim purchased separately to complete & compliment the lockset or hardware are not covered by this warranty.



N2LOK

