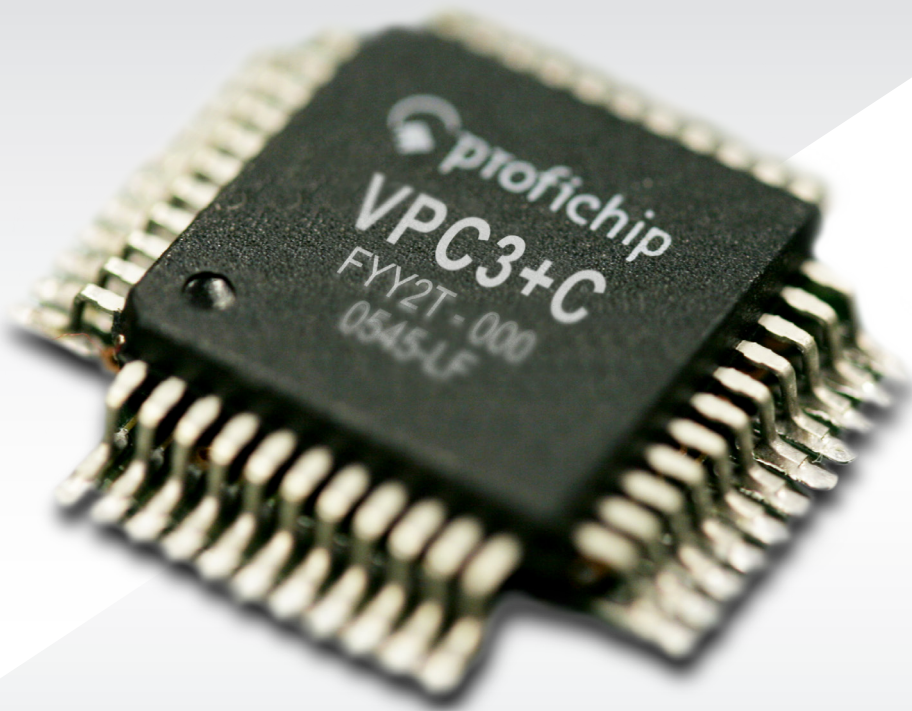


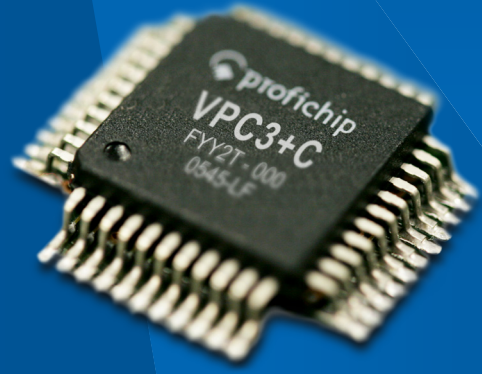
YASKAWA

profichip[®] VPC3+C

PROFIBUS[®] DP Slave Controller



- Pin and function compatible with SPC3 from Siemens
- Supporting PROFIBUS DP-V0, DP-V1 and DP-V2 protocols (DxB, IsoM, clock synchronisation)
- 4 kbyte communication RAM
- Configurable 8-bit microcontroller interface
- 5 V or 3.3V supply voltage
- Low power consumption
- Software stack and evaluation kit
- Package PQFP44 (RoHS compliant)



profichip's standard PROFIBUS Slave ASIC offers everything your PROFIBUS application needs.

Functional Description

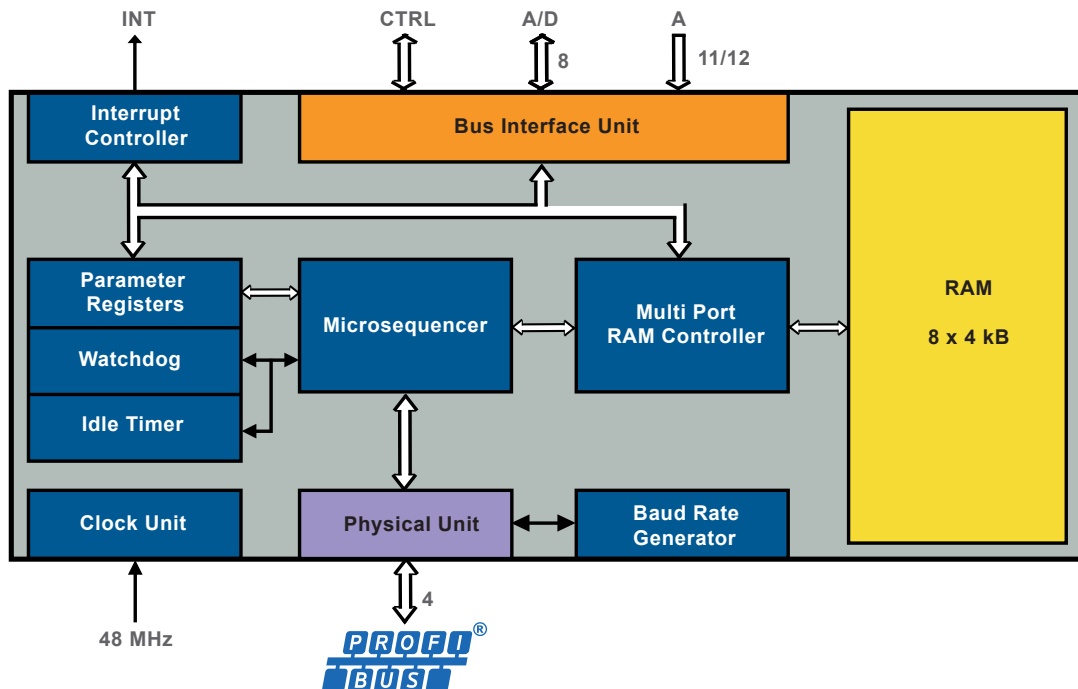
The VPC3+C handles message and address identification, checks the data security sequences and protocol processes for PROFIBUS DP. It also supports acyclic communication and alarm messages, described in the DP-V1 extension. Features described in the DP-V2 extension, as Slave-to-Slave communication Data eXchange Broadcast (DXB), clock synchronization, and the Isochronous Mode (IsoM), are also provided.

Operation

Automatic baud rate recognition and support of data transmission rates up to 12 Mbit/s, the complete PROFIBUS DP protocol integration, 4 kB communication RAM, and flexible processor interfaces are features to create state-of-the-art PROFIBUS Slave applications. The device may be operated with either 3.3 V or 5 V single supply voltage.

Compatibility

The VPC3+C is pin-compatible to the SPC3, making it suitable for direct replacement in already existing applications without restrictions or software modifications.



YASKAWA Europe GmbH

Hugo-Junkers-Str. 13
90411 Nuremberg
Germany

Profichip USA, Inc.

980 Birmingham Rd. Ste 721
Alpharetta, GA 30004 USA

+1 (678) 880-6910

sales@profichipusa.com
www.profichipusa.com

01/2023 | YEU_PROFICHIP_VPC3+C