



MODEL:1210

W3.66xL3xH2.8M

INSTALLATIONS INSTRUCTIONS



Installation Instructions

Congratulations on your purchase of our instant shelter. This unit is a combination of excellent manufacturing and design. It is comprised of a rigid frame and a durable cover. For easy assembly, we have marked all the parts with codes, with proper installation, use and maintenance, your unit will provide many years of good and suitable service.

Tools Required

The following hand tool will be needed for proper installation of your new building:

- 12mm, 14mm, and 17mm open end wrenches
- 12mm, 14mm, 17mm sockets or box wrenches
- Large flat head screwdriver
- 2lb maul or sledgehammer
- 4ft level
- 14ft step ladder
- Stake and string for aligning base plates and frame

Assembly Procedure

1. Prepare location and place all unit boxes near location sight. Perform an inventory check before beginning, to be certain all components are available for installation.
2. Secure base plate flanges to base surface.
3. Assemble every group of the arch.
4. Begin frame assembly with front end arch, first interior arch, purlins, etc.
5. Add to assemble other groups of arches.
6. Install main cover over frame.
7. Install end cover over end panels.

Read all the detailed instructions and notices in the following assembly instructions!



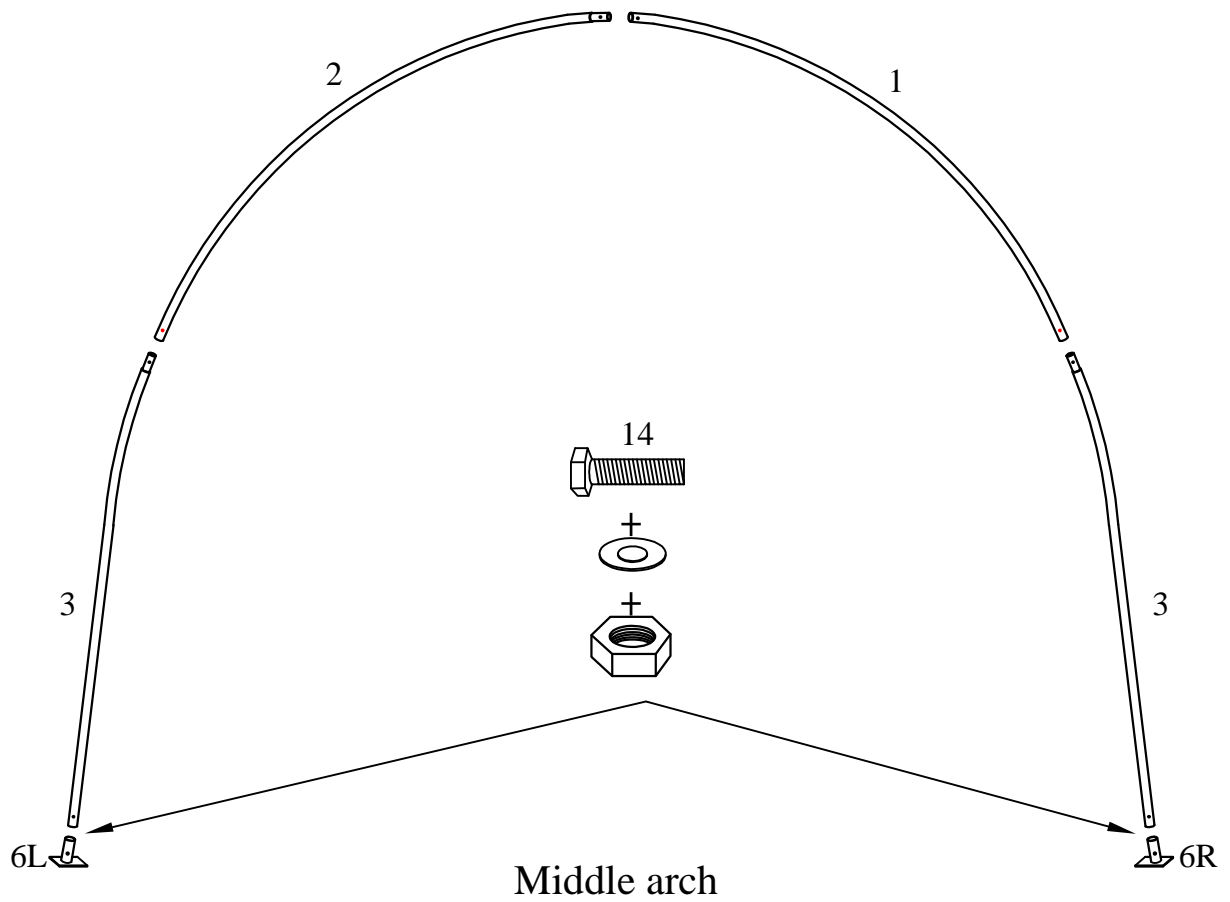
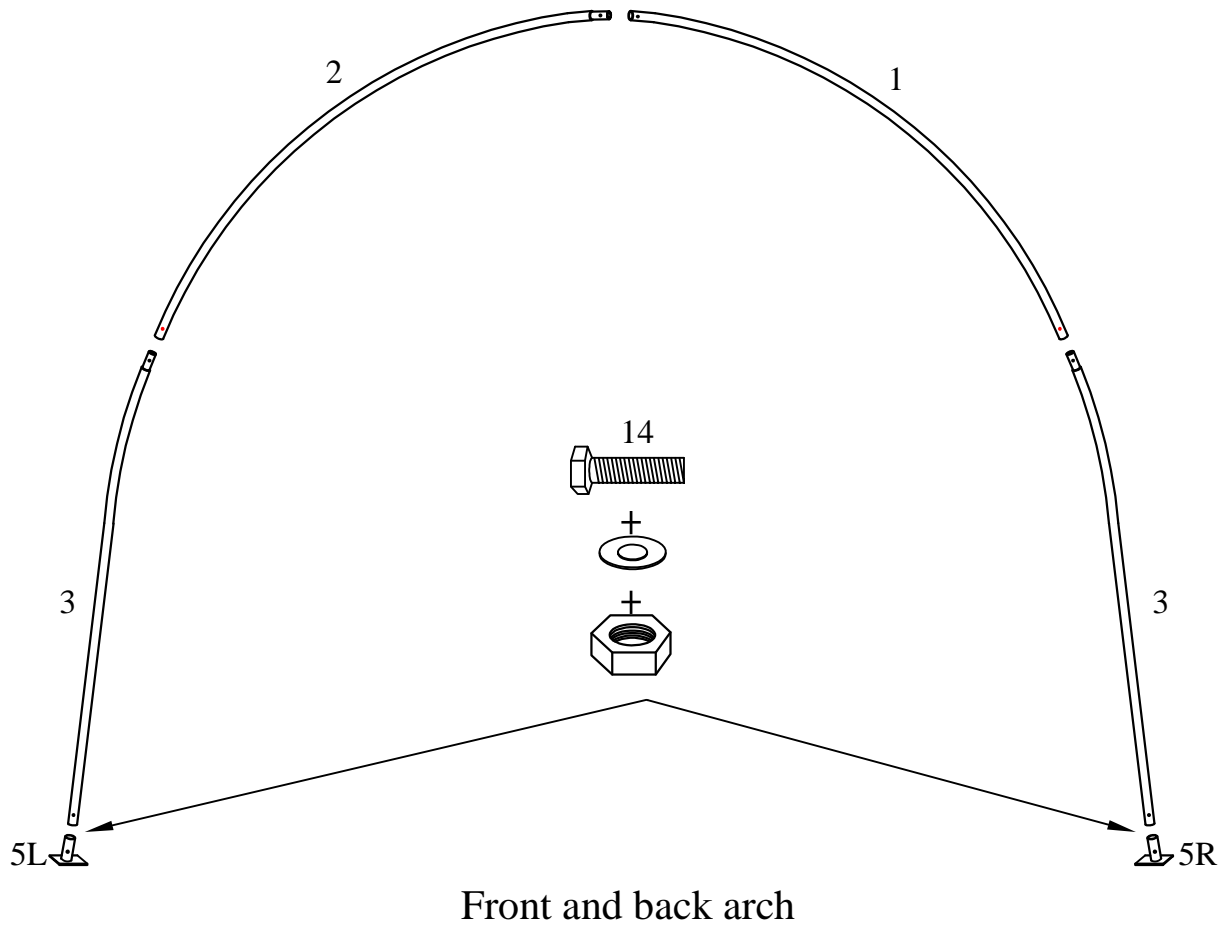
Maintenance and Care

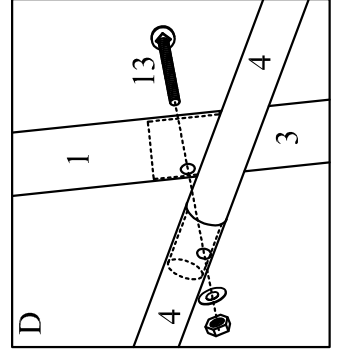
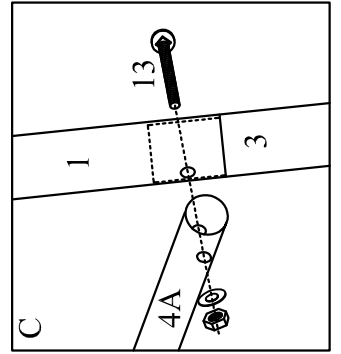
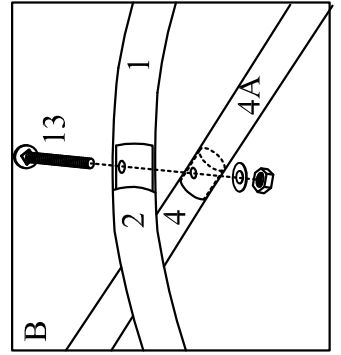
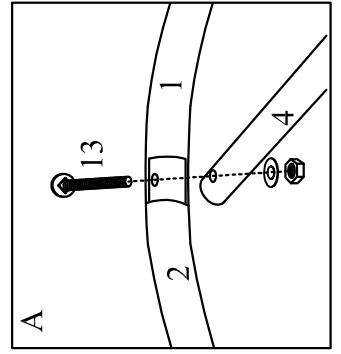
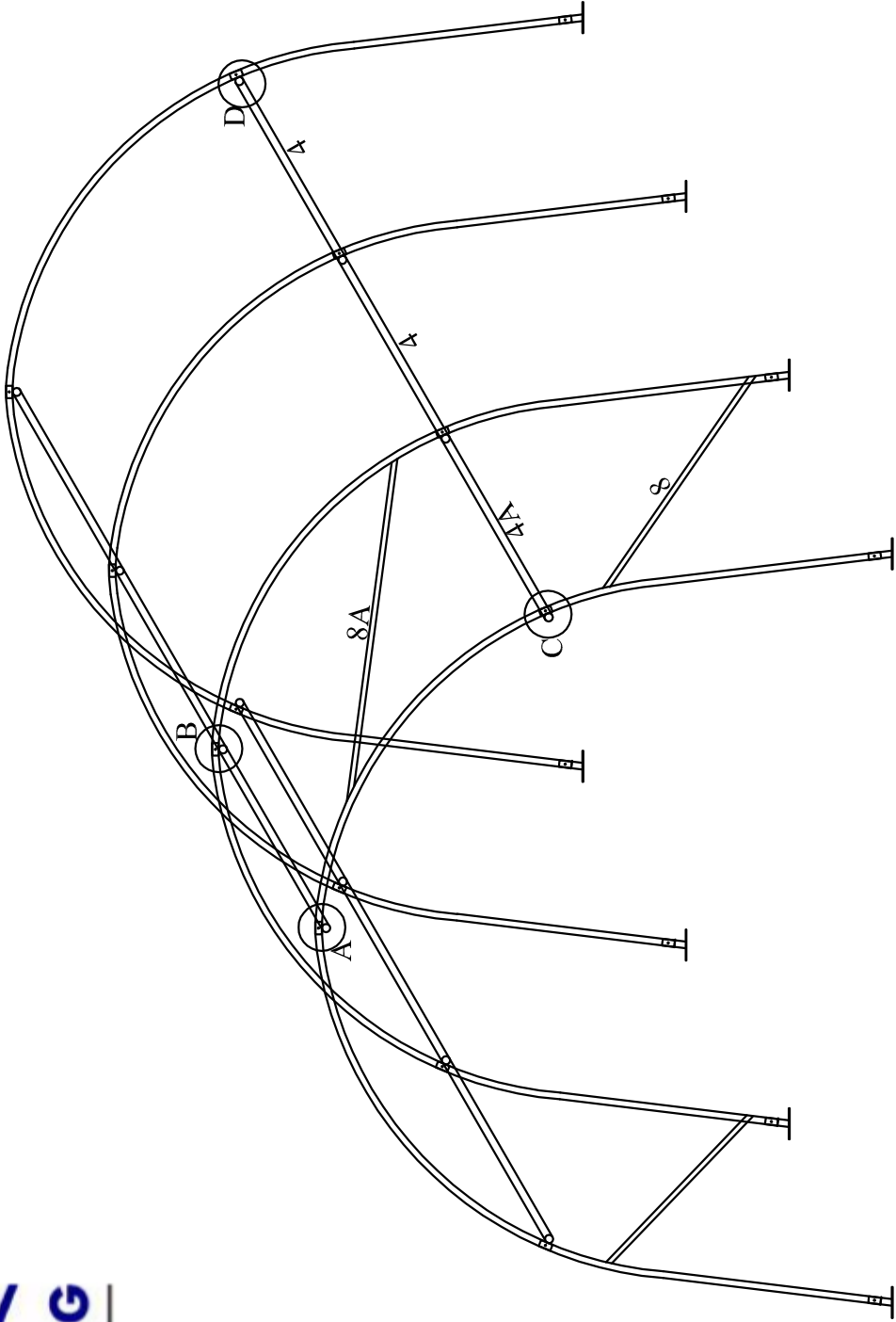
Annually or more often, the unit should be completely inspected internally and externally to make certain the unit remains properly installed and secured. Particular attention should be paid to:

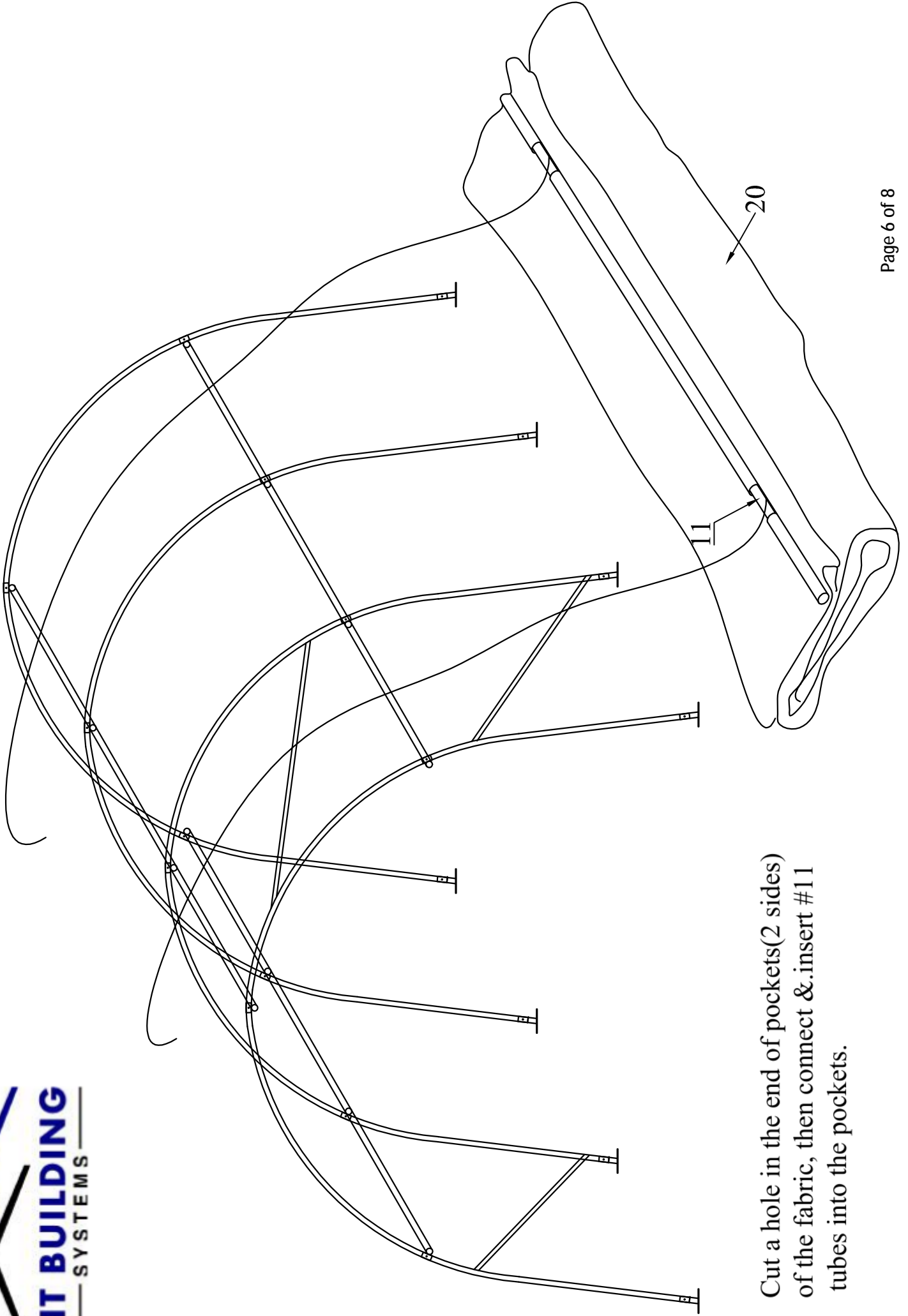
- Hardware - check all carriage bolts and hardware connectors to be certain they are in place and tightened.
- Weather trends - The unit will strain against the base plate flange under windy conditions, pegs hardware, connection to frame members should be maintained tight and depth of pegs should be checked to be certain they remain deeply and firmly set.
- Snow Accumulation - All snow accumulation on the main cover should be removed as soon as possible. Tap the main cover from the inside with a broom or soft brush to clear cover.
- Main Cover Lacing - The poly rope that secures the main cover to the bottom rail of the frame assembly should be checked, and adjusted as needed. The tension on the main cover should be uniform from end and side to side. Rope ends must be tied off onto the frame members at the ends on each side.
- Cleaning - Cover and doors can be cleaned with a mixture of light detergent and water. A soft bristle brush with the mixture can be used to loosen any hard dirt, mould, or build up on the cover. After cleansing, the cover should be rinsed thoroughly to avoid any chemical reaction from residual detergent. Allowing dirt and debris to sit on cover over an extended time will damage cover irreparably.
- Severe Weather - in preparation for inclement weather, completely secure the door of your buildings portable building.

Parts List

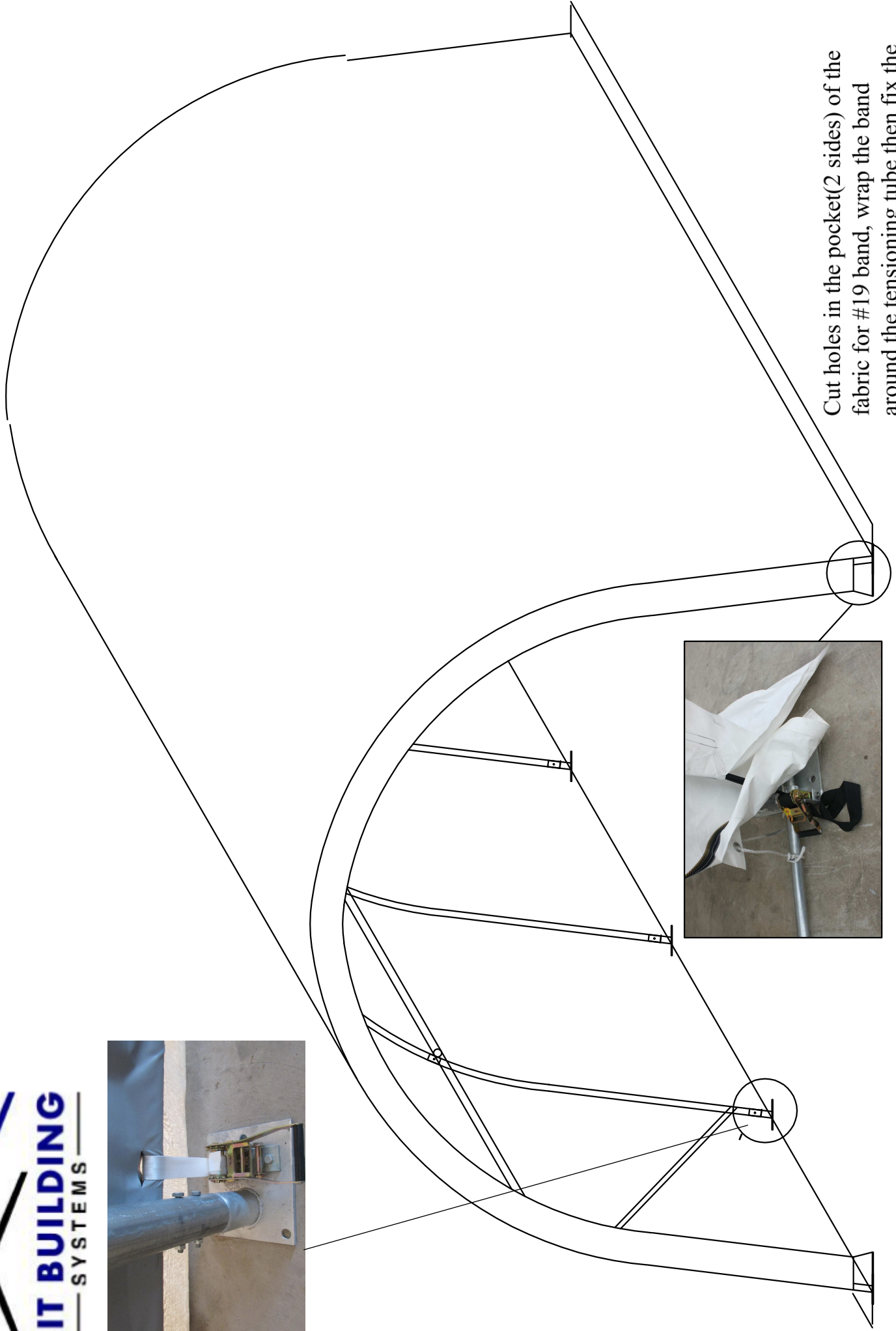
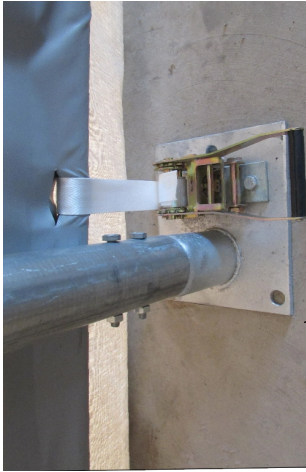
Code	PART LIST	Quantity
1	Roof tube	4
2	Shrinking roof tube	4
3	Sidwall tube	8
4	Horizontal tube	6
4A	End horizontal tube	3
5L	Base plate in left corner	2
5R	Base plate in right corner	2
6L	Base plate for left side	2
6R	Base plate for right side	2
7	Ratchets	8
8	Sladnting support tube	2
8A	Slanting support tube for roof	2
10	Clip for slanting tube	8
11	Cover tensioning tube	2sets
12	Stake peg	16
13	Carriage bolts M6X75	12
14	Hexagon bolts M6X45	8
15	Hexagon bolts M6X25	8
16	Plastic cap	10
18	Rope	3
19	Band for ratchets	8
20	Roof cover	1







Cut a hole in the end of pockets(2 sides) of the fabric, then connect & insert #11 tubes into the pockets.



Cut holes in the pocket(2 sides) of the fabric for #19 band, wrap the band around the tensioning tube then fix the bands on the ratchets on each base pleates