

# SHELTER ASSEMBLY MANUAL

Model # L12x W12x H 4.5m

C4040E Container Shelter

With an Enclosed Backwall



Part Code		Qty
L	Left middle base plate	7
R	Right middle base plate	7
1	Roof top tube	7
2	Sidewall bent tube	14
3	Shoulder bent tube	14
4	Bottom bent tube	14
5	Purlin	42
6	Diagonal supporting tube	16
7	Clip (For NO.6)	38
8	Bolt M12x100mm	57
9	Bolt M10x90mm	132
10	Ratchet	14
11	Tensioning straps	14
12	Iron plate for fixed the Roof Cover	4
13	Roof cover	1
14	Rope	1
15	Plastic plug	12
16	Tensioning tube	2 group
17	Iron plate for base plate	14
18	Bolt 12x30mm	42
18A	Bolt 10x30mm	1
18B	Bolt 8x80mm	12
19	Base plate for Bakkwall	3
20	Side base plate for backwall	2
21	Side Upper Standing Leg for backwall	2
22	Lower Standing Leg for backwall	5
23	Middle Standing Leg for backwall	3
24	Upper Standing Leg for backwall	1
25	Side Upper Standing Leg for backwall	2
26	Horizontal tube for backwall	6 groups
27	Side Upper Horizontal tube for backwall	2 groups
28	Bottom tensioning tube for backwall	4 groups
29	Stake peg	10
30	Back cover	1
31	Angle Iron for Backwall	1
32	Bracket	4
33	Small Stake Pegs for No.32	8
B1	Extra tube added when assembly on 40' HQ container	5

## SPECIFICATION

Length: 12m

Width: 12m

Height: 4.5m

## **IMPORTANT-----READ MANUAL FIRST**

Improper site preparation, Assembly and Maintenance may invalidate warranty and cause unnecessary and costly mistake. If you have any questions contact your local dealer.

For User Friendly assembly we have identified each individual component with the part code as indicated in the parts list. Please refer to the part code numbers and drawing to ensure problem free assembly.

It's necessary to tighten the roof fabric enough to avoid "hammocks" on the roof and also re-tighten once or twice again after a few months of use. This is important when assembly in cold weather (autumn and winter) because the fabric is stiff then and when we got the sun and warm weather afterwards it will make the fabric "slack" again and need to be re-tighten before next winter.

It's the owners responsibility to take of snow immediately if not slide off by itself.

## **READ ALL INSTRUCTIONS BEFORE ASSEMBLY**

1. Keep work area clean. Cluttered areas invite injuries. Do not set up near snow drifts, in slippery places, in high winds, or wet location.
2. Keep children away. All children should be kept away from the work area.
3. Don't over reach. Keep proper footing and balance at all times.
4. Do not assemble in under the influence of alcohol or drugs. Read warning labels on prescriptions to determine if your judgment or reflexes are impaired while taking drugs. If there is any doubt, do not assemble.
5. Be aware of possible windy conditions; fasten the bases in concrete if these conditions are likely to occur. Remove the cover during hurricane.
6. Be careful with power and heat sources. Do not keep heat sources near the tarpaulin. Do not expose to open flame.
7. Be aware of personal safety during assembly and use. Be careful not to pinch fingers with clips and tubes when assembling: when using makes sure there is adequate ventilation for exhaust and other dangerous fumes.

## **● EQUIPEMNT AND TOOLS FOR INSTALIATION**

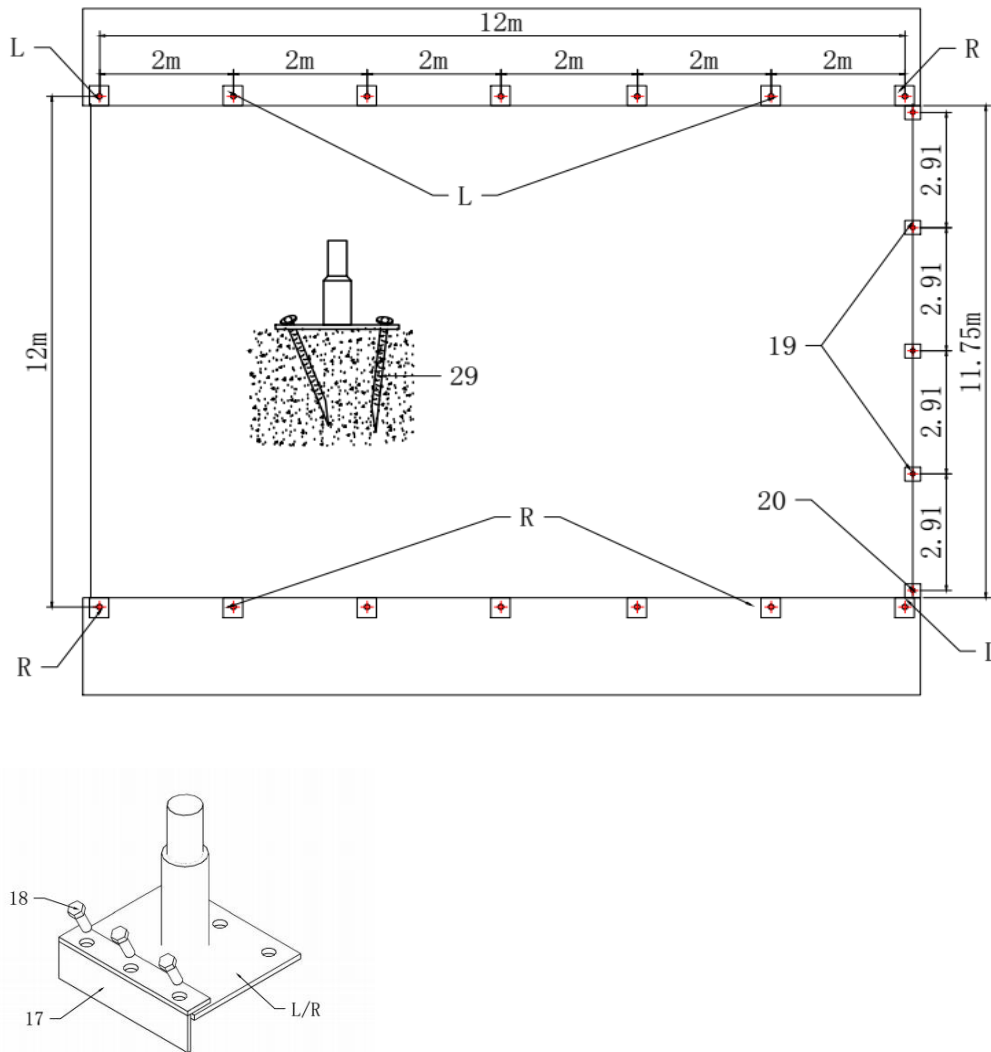
1. Measuring tape

2. String for alignment
3. Step ladder
4. Welder
5. Sledge hammer
6. Wrench
7. Scissors

## INSTALLATION PROCESS

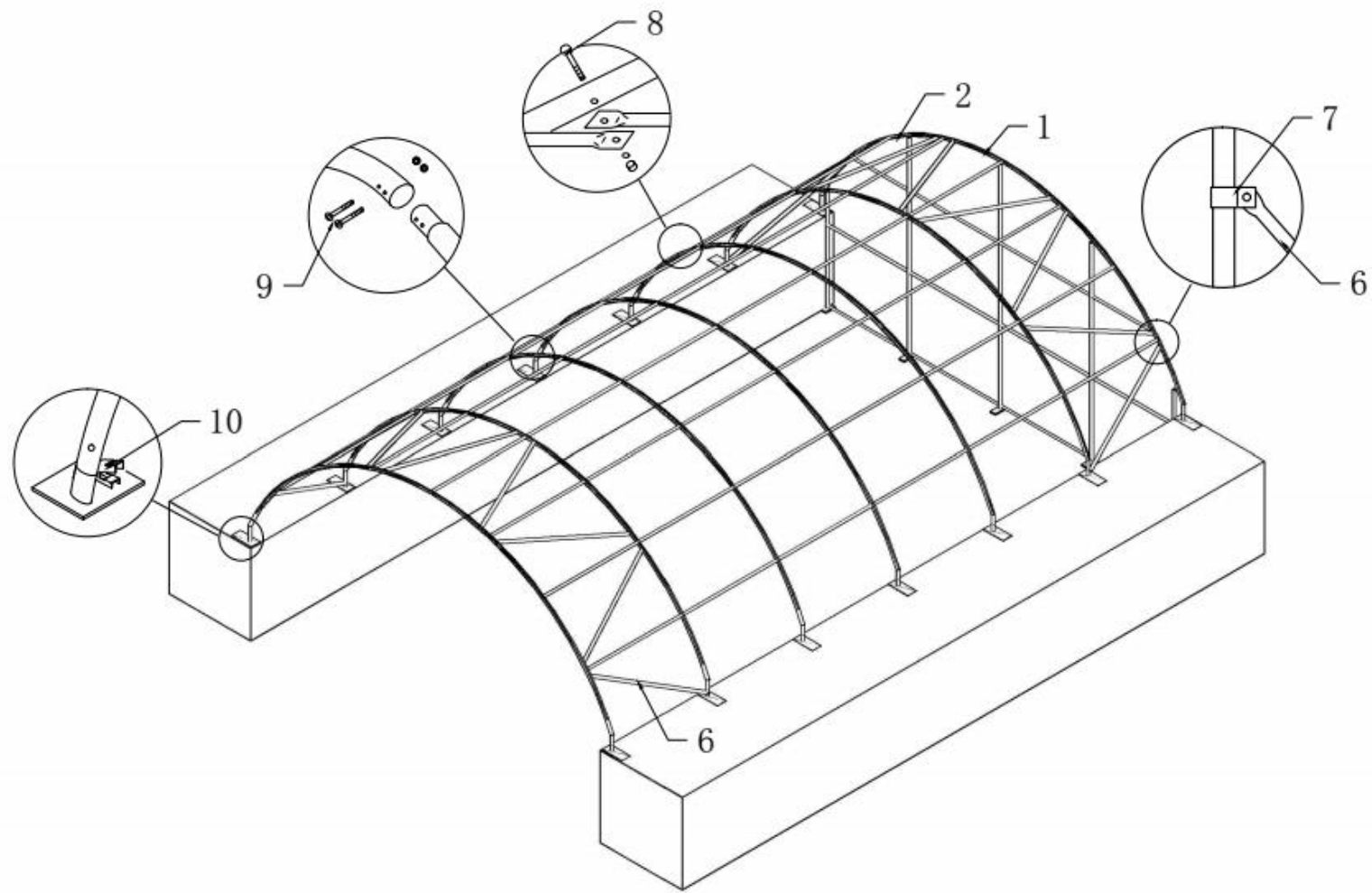
### A—BASE INSTALLATION

Please refer to the diagram (Figure 1) to place the base plates. UNIT: m



**Figure 1**

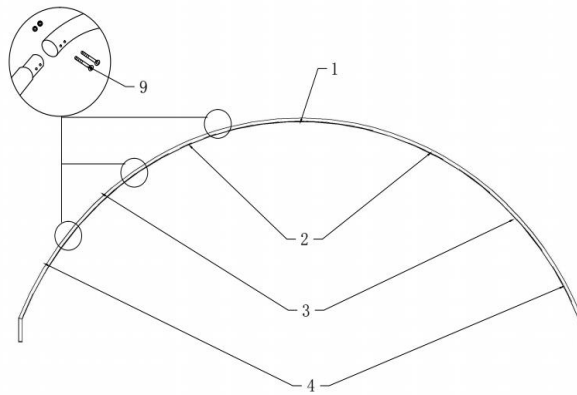
1. The measure is from center to center of the tubes. Referring to the above diagram and confirm the place of the base plates. ENSURE THAT THE FOUNDATIONS IS SQUARE.
2. All the base plates need use welder to be welded on the Containers.



**Figure 2**

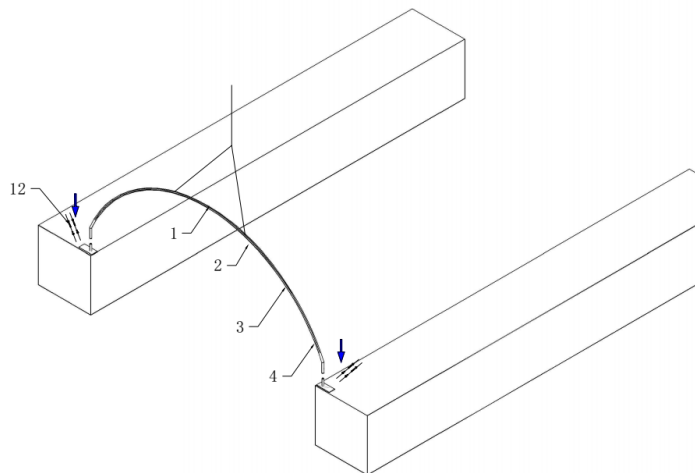
## A—ROOF FRAME INSTALLATION

1. As Figure 3 shown to find the first group of front door arch frame ,one piece of Roof top tube( No. 1), two pieces of sidewall bent tube(No.2),two pieces of shoulder bent tube( No.3 )and two pieces of bottom bent tube(No.4 ). Then connect them from by using Part (No.9) Bolt M10x90mm. It is the first group arch frame.



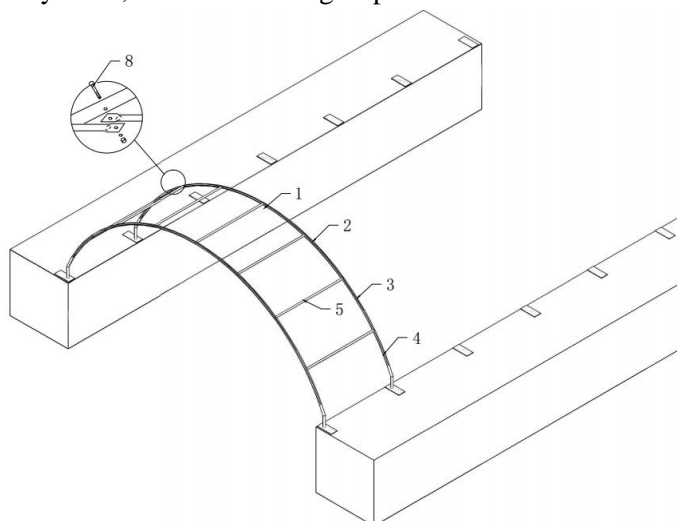
**Figure 3**

2. Put the first group to insert the base plates as the Figure 4 bellow and fix it by use Part (No.12)Iron plate .



**Figure 4**

3. By turns, fix the second group of arch frame like this step. After putting and fixing the second group of arch frame into plates, connect the purlin(No.5) onto them by using bolt M12x100 (NO.8) .Connecting purlins for roof frame like the Figure 5 as below. By turns, install all other groups of arch frame.



**Figure 5**

**Note: THE ARCHED WILL BE A LITTLE WIDER THAN THE BASE PLATES.**

## B—INSTRUCTION BACK FRAME & COVER

Please install the back frame follow the Figure 9 and Figure 10 .

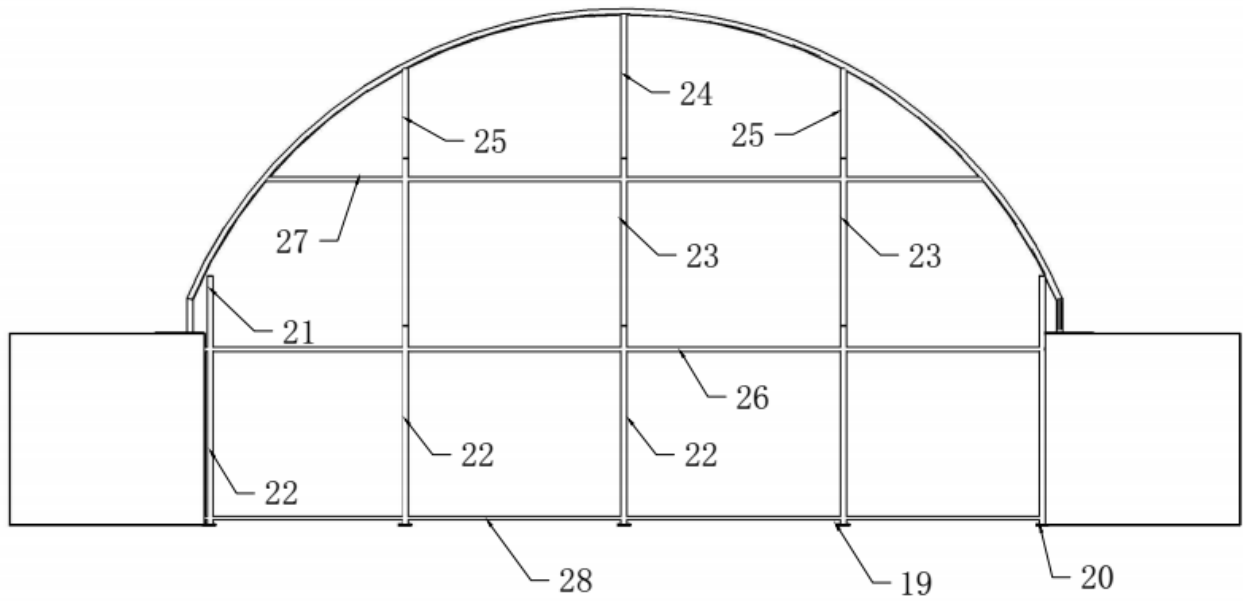


Figure 9

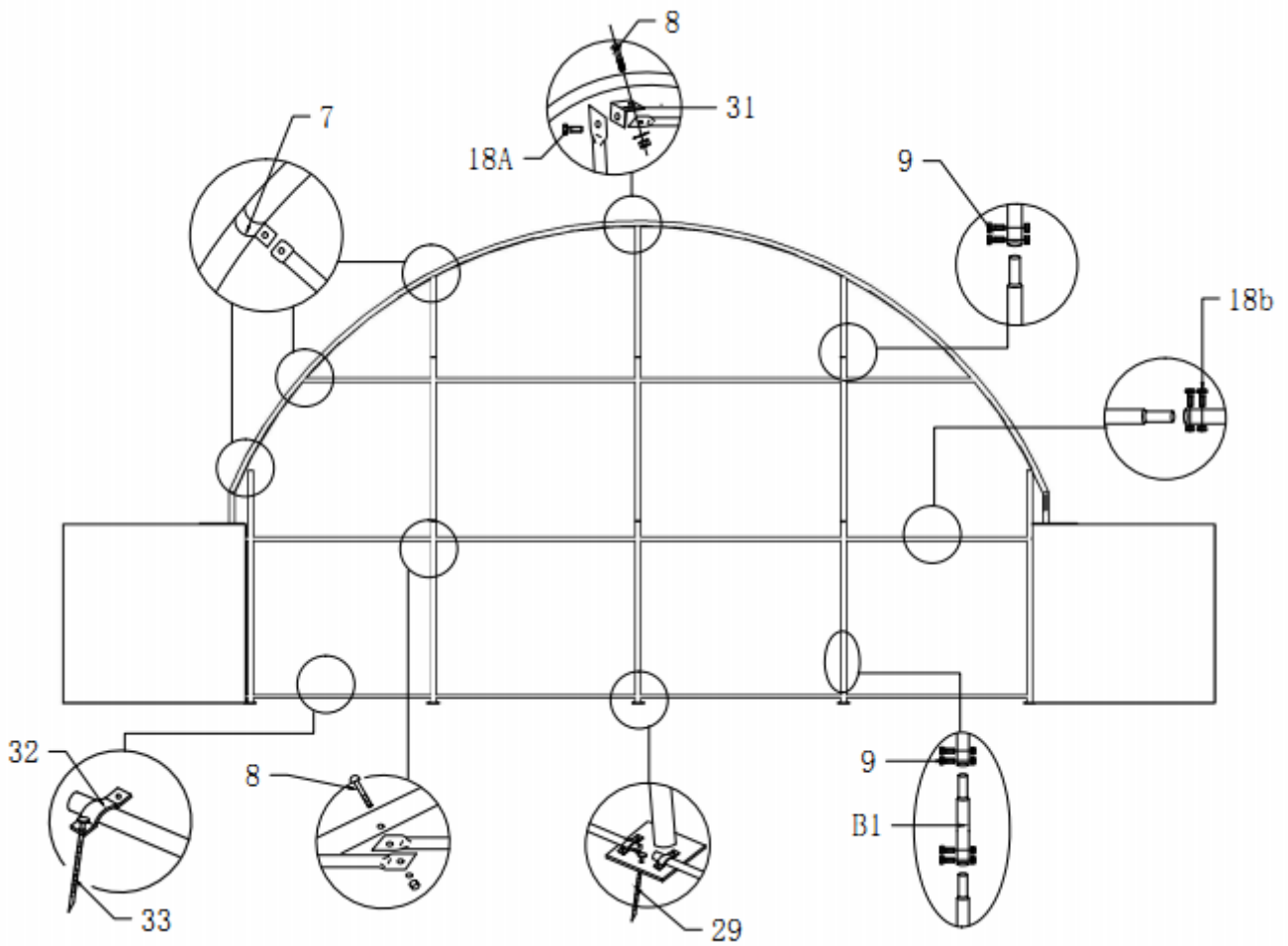
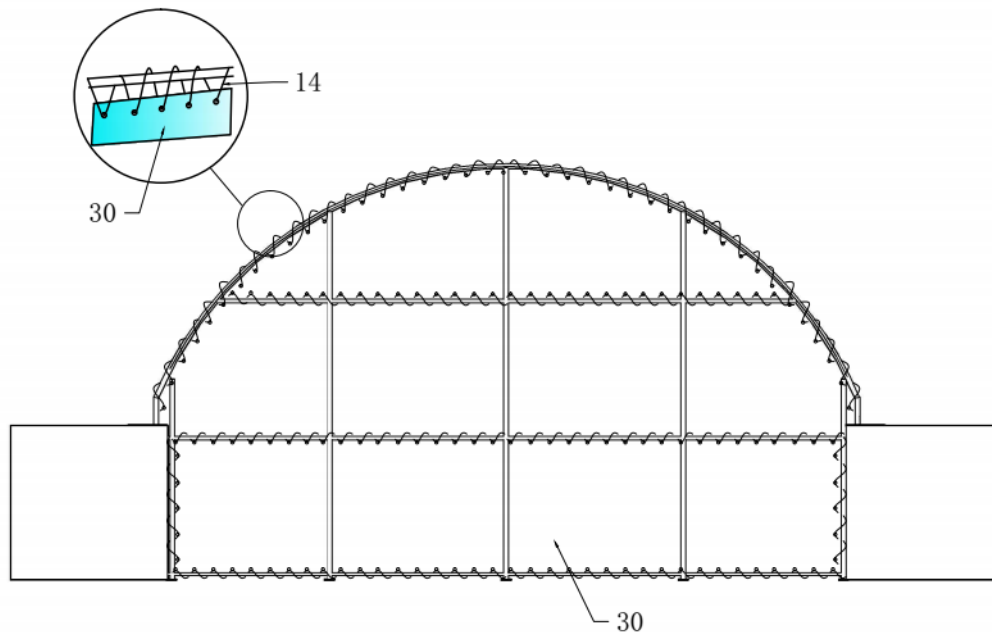


Figure 10

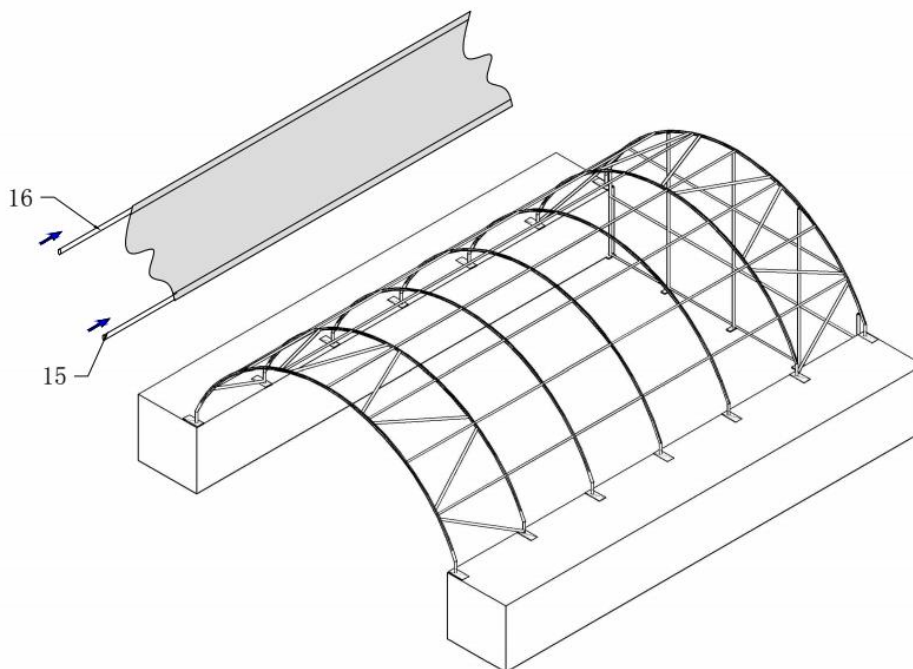


**Figure 11**

Please install the back cover follow the Figure 11, Put on the back cover (NO.30)and fix it by using rope (NO. 14).

**D—INSTRUCTION THE ROOF COVER**

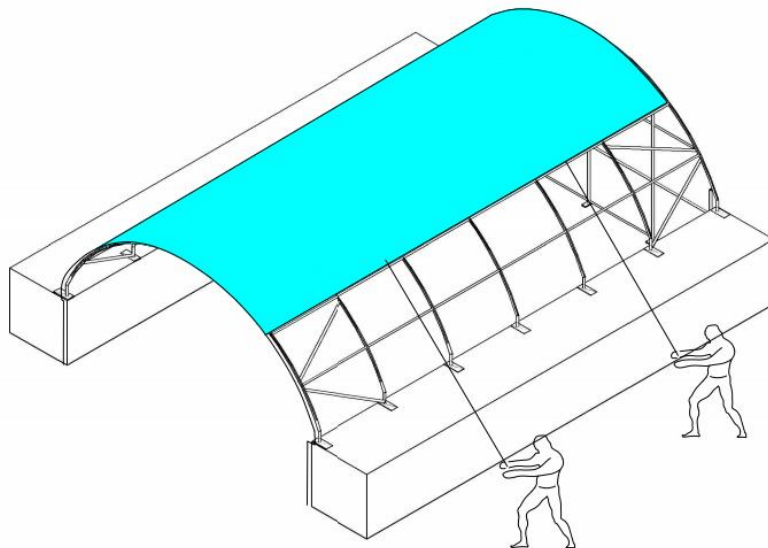
**NOTE: DO NOT** install the cover onto the frame of your building in high wind conditions. A slight breeze is the most advantageous for cover installation. To take advantage of the breeze, pull the cover up over the arches with breeze blowing in the cover like a sail filled with air.



**Figure 12**

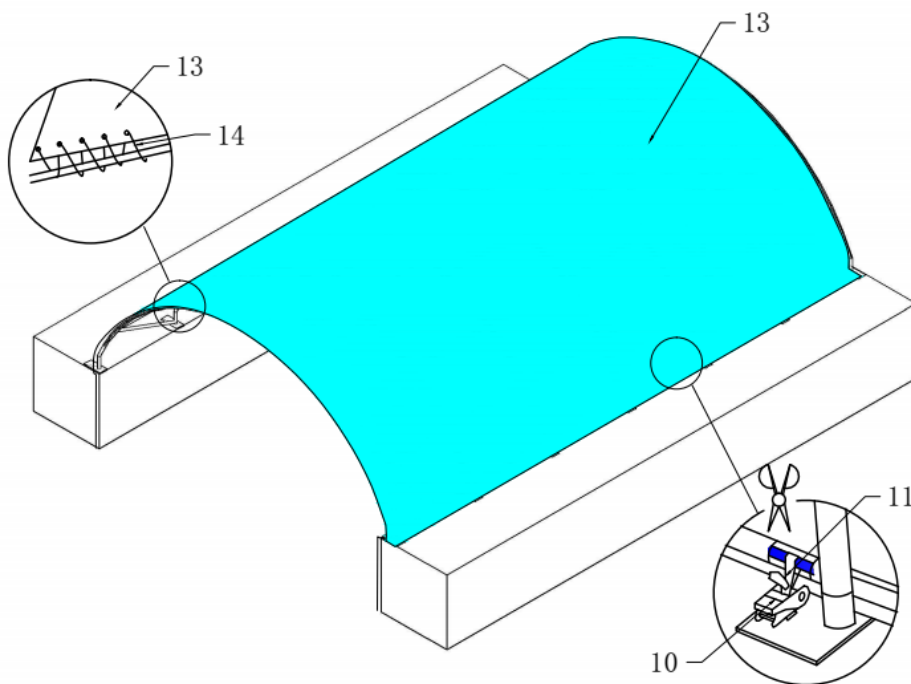
The tensioning tube (No.16) should be inset into both ends of Roof Cover. And there are plastic plug(No.15) for the tube.





**Figure 13**

1. Firstly put the Roof cover(NO. 13) EVENLY, CAREFULLY AND SLOWLY on the frame. Adjust the cover so that it is square and evenly centered on the frame.



**Figure 14**

2. Use Ropes to knit the cover on the two side arches, finally tie the Roof cover to the iron plate and tubes (No.17).
3. Cut some pockets over the Ratchet (No.10) on the the base plates and use Tensioning Straps (NO. 11) to tie down the tensioning tube(No.16) like the Figure 14. Finally install the Plastic Plug (NO.15)for base rail section into two ends of the tension tubes.Finally knit them using rope as the figure above.

**NOTE: DO NOT LEAVE THE ROOF COVER UNATTACHED UNDER ANY CIRCUMSTANCES until the final assembly and tightening has been completed. The process is quite easy. But some tightening adjustments will be necessary to produce a flat, tension roof cover. Please adjust the roof cover every month.**