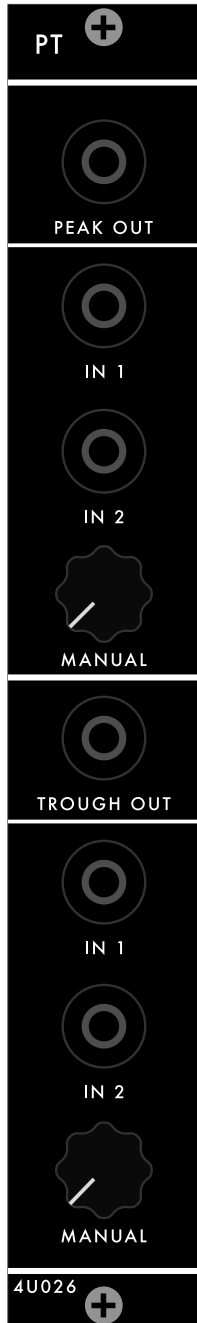
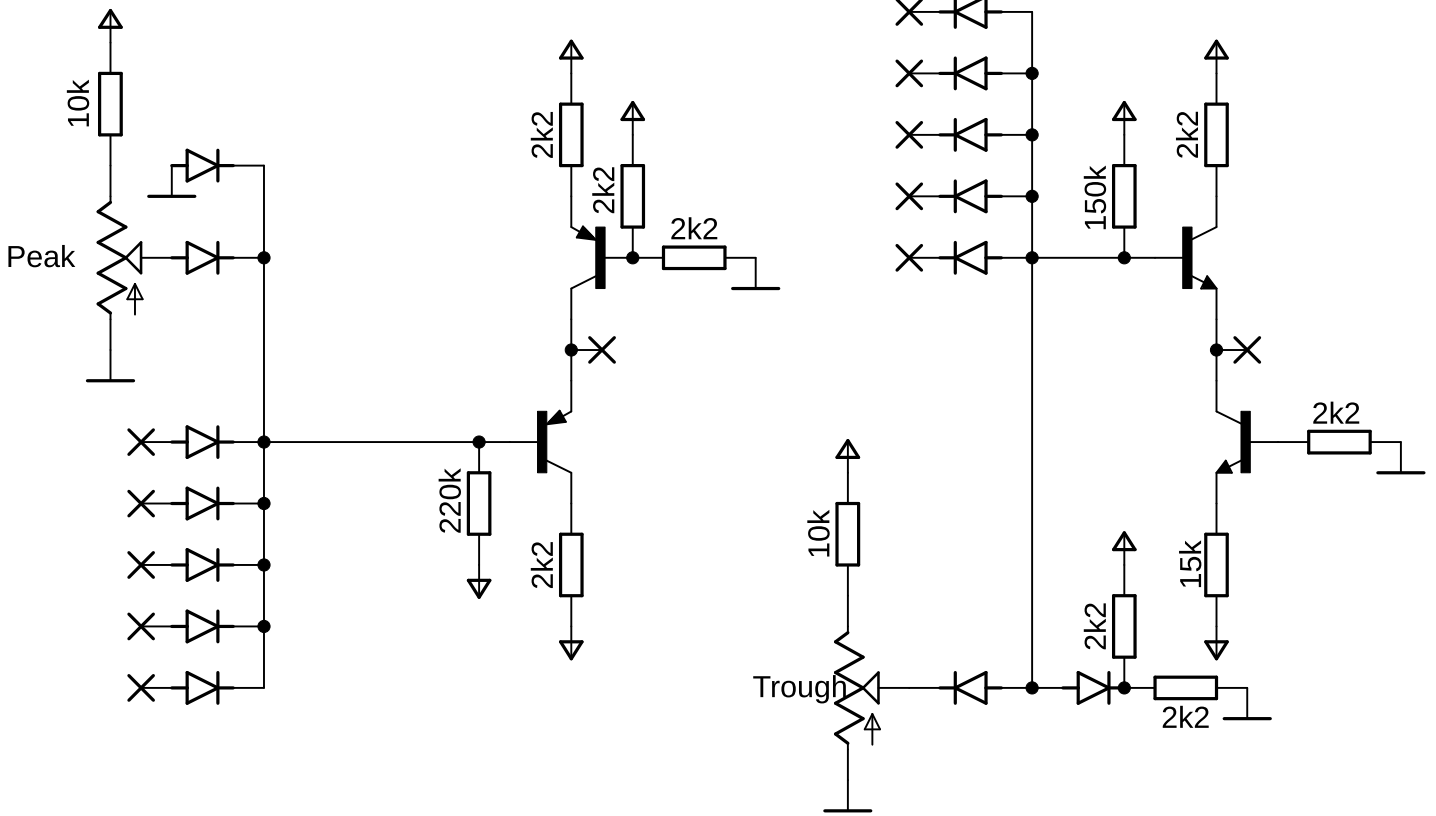
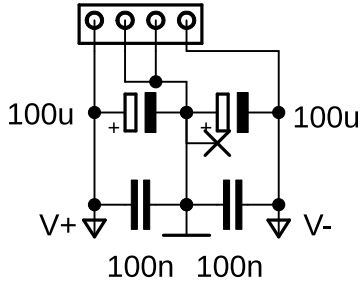


# 4U026 - PT



# Schematic



# BOM

4U026 - PT

*a classic and unique design, with the "manual mod"*

Value, name	Quantity	Remark
<b>Capacitors</b>		
100uF	2	electrolytic, 35V
100nF	2	small footprint ceramic
<b>Resistors</b>		
2k2	8	
10k	2	
15k	1	
150k	1	
220k	1	
10k pot	2	if you have different value pots, the 10k resistors also needs to be changed!
<b>Semiconductors</b>		
1N4148	14	
BC557	2	
BC547	2	
<b>Misc</b>		
banana jack - BLACK	6	

# Build tips

## IMPORTANT!

On Rev1 boards, there is a little silkscreen error!

The orientation of the BC557s is incorrect - you should flip them!

On the other hand, for alternatives, like 2N3906, the silkscreened orientation is correct.

Correct orientation for BC557s:

