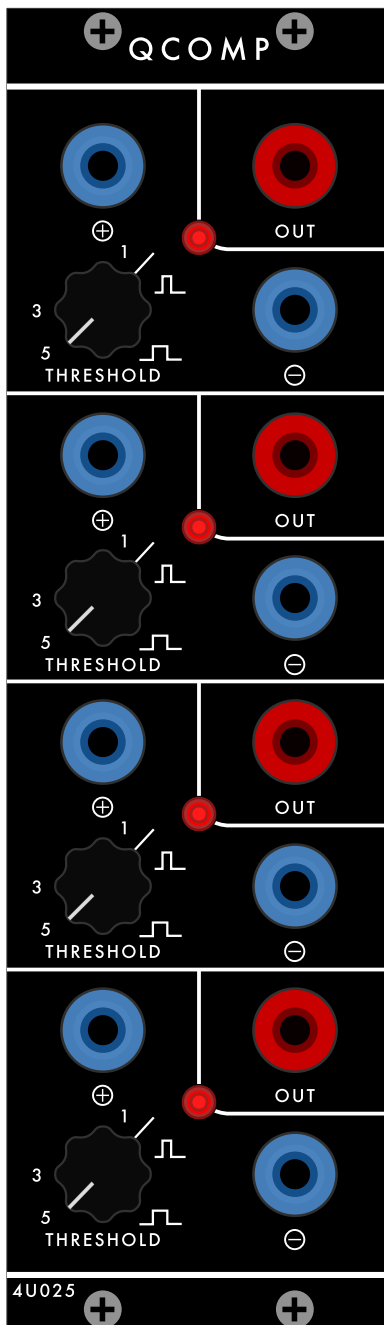
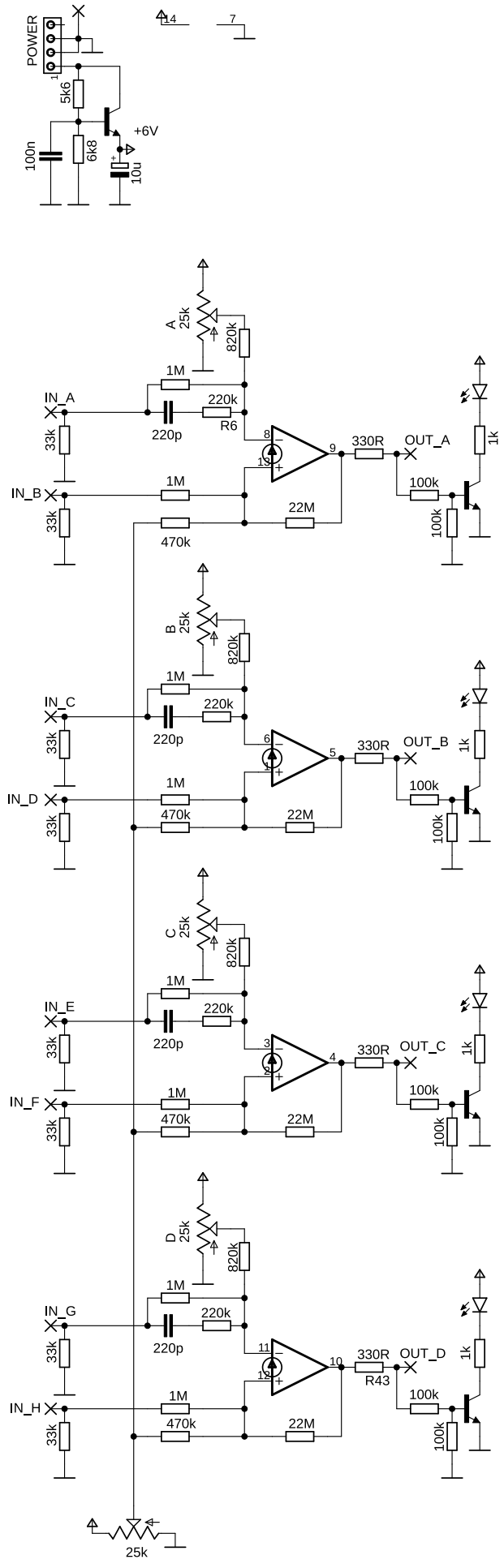


# 4U025 - QCOMP



# Schematic



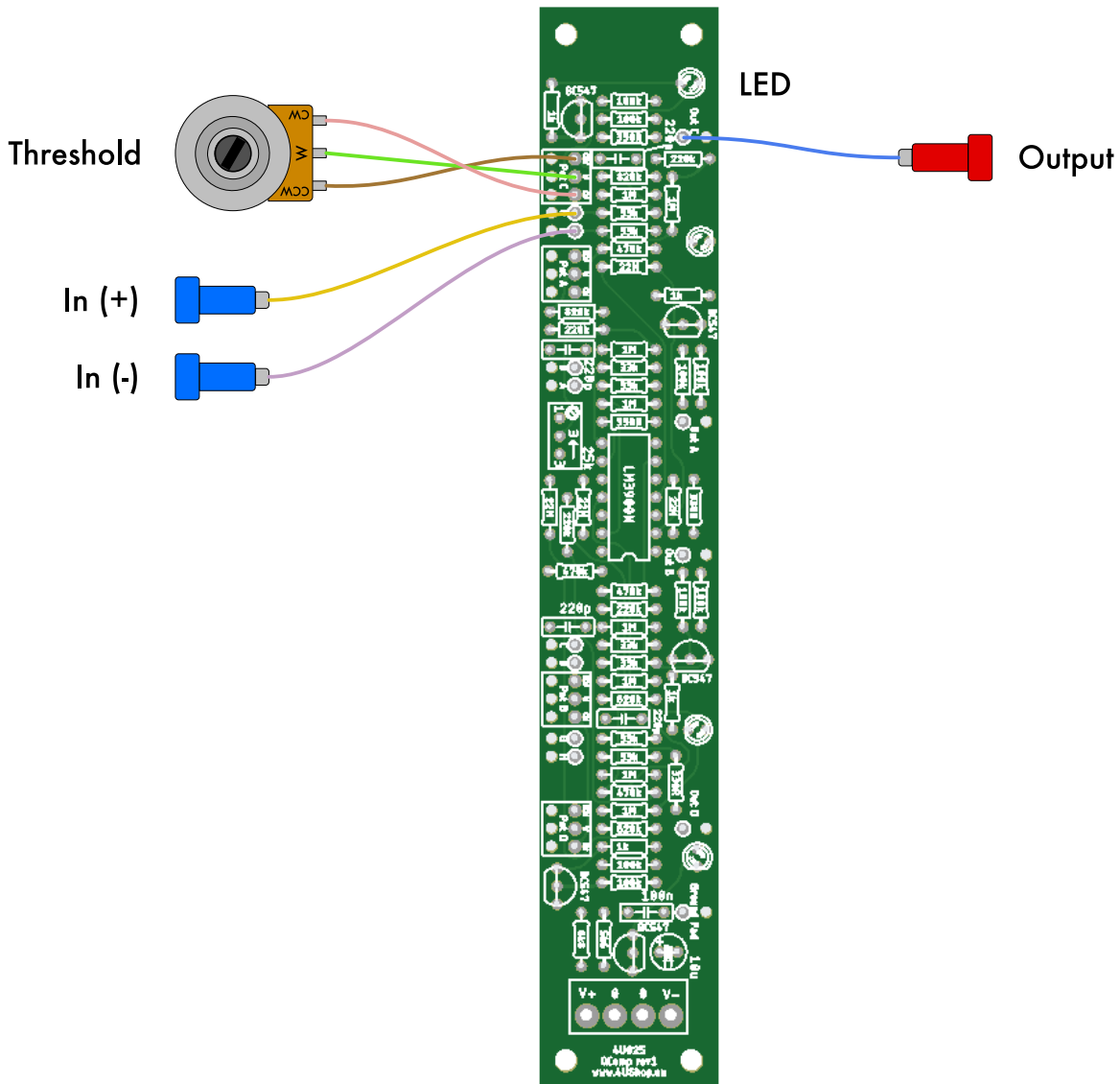
# BOM

4U025 - Qcomp

*a classic comparator design, but this - it is a quad*

Value, name	Quantity	Remark
<b>Capacitors</b>		
10uF	1	electrolytic, 35V
100nF	1	small footprint ceramic
220pF	4	
<b>Resistors</b>		
330R	4	
1k	4	
5k6	1	
6k8	1	
33k	8	
100k	8	
220k	4	
470k	4	
820k	4	
1M	8	
22M	4	
25k trimmer	1	
25k pots	4	
<b>Semiconductors</b>		
LM3900	1	
BC547	5	
<b>Misc</b>		
LED 3 mm	4	red
banana jack - RED	4	
banana jack - BLUE	8	

# Wiring



The above wiring diagram shows 1 part of the 4 - all of them identical.

Section A : In A, In B, Pot A, Out A

Section B : In C, In D, Pot B, Out B

Section C : In E, In F, Pot C, Out C

Section D : In G, In H, Pot D, Out C