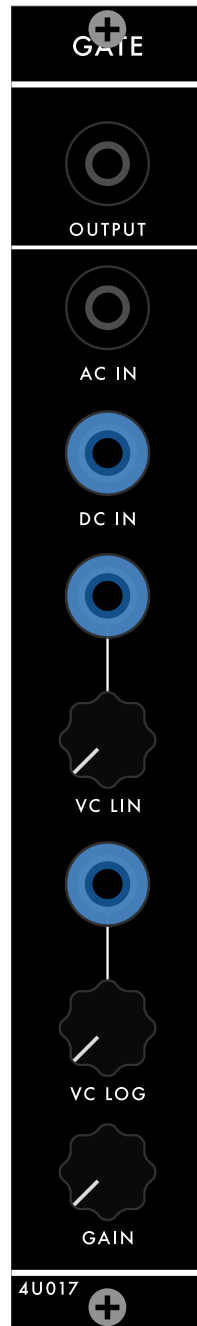
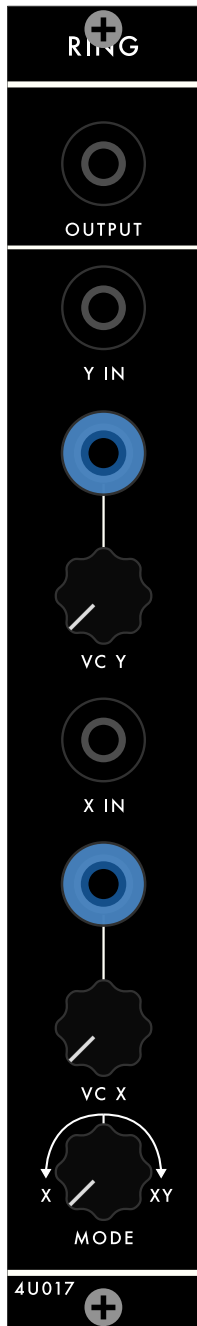
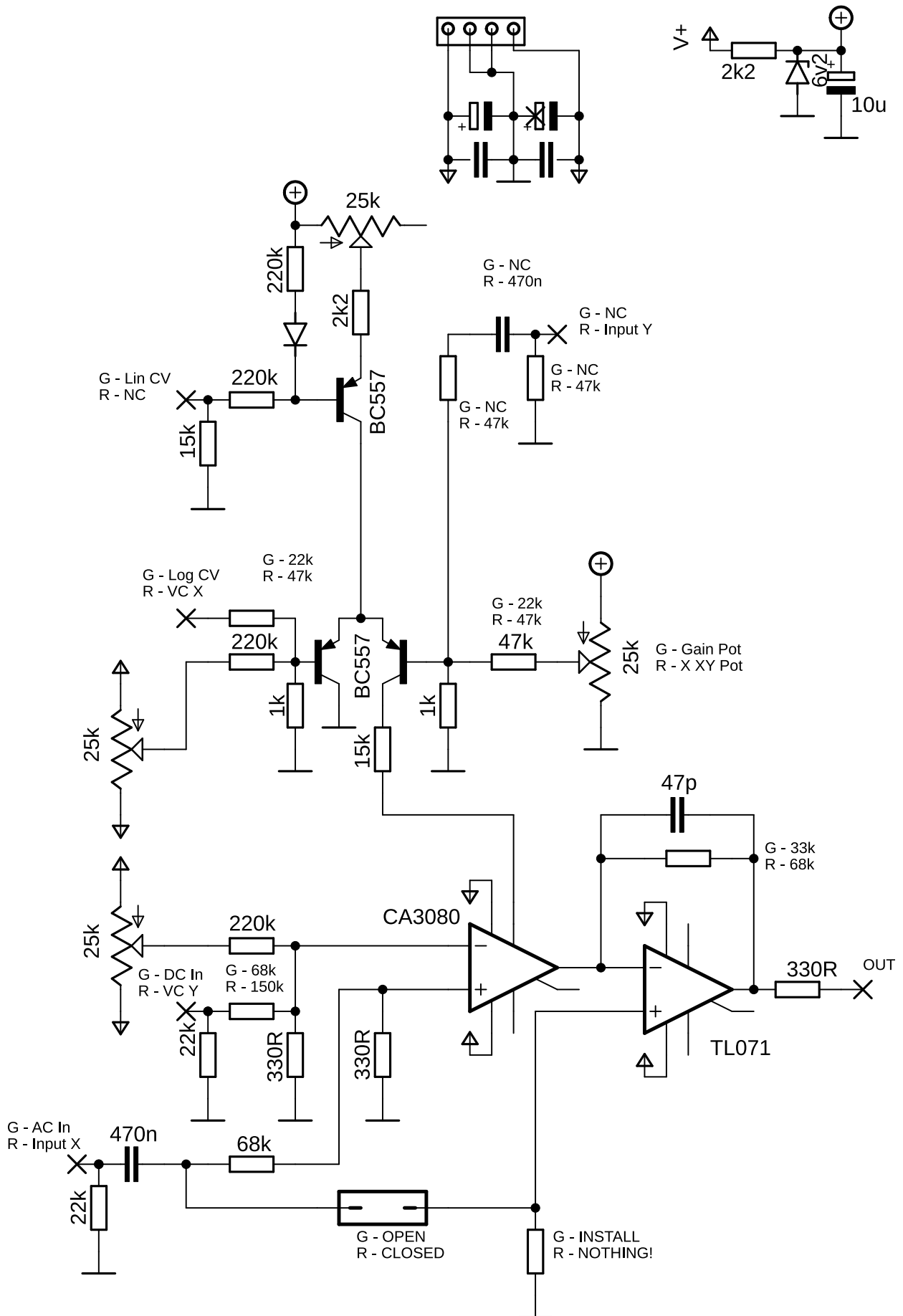


4U017 - ARSIX



Schematic



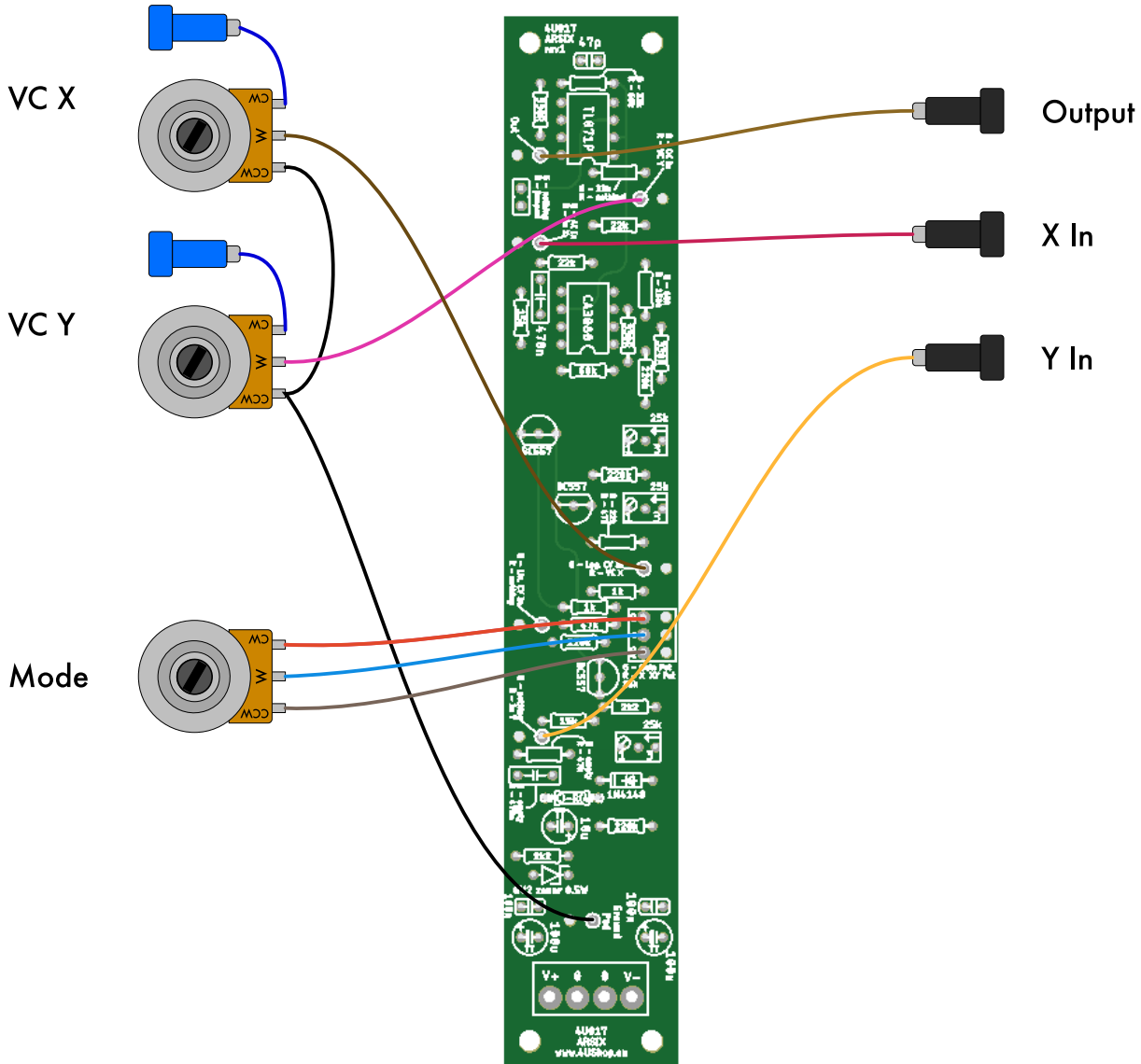
BOM

4U017 - ARSIX

based on the original "R6" board - it could be built as a Gate or as a Ring; a very flexible board

Value, name	Quantity	Remark
Capacitors		
100uF	2	electrolytic, 35V
100nF	2	small footprint ceramic
10uF	1	electrolytic, 35V
470nF	1	for Ring
470nF	1	
47pF	1	
Resistors		
330R	3	
1k	2	
2k2	2	
15k	2	
22k	1	for Gate
22k	2	
33k	2	for Gate
47k	3	for Ring
47k	1	
68k	1	for Gate
68k	1	
68k	1	for Ring
150k	1	for Ring
220k	4	
25k trimmer	3	
25k pot	1	Gain or X XY pot
100k pot	2	for attenuators
Semiconductors		
CA3080	1	
1N4148	1	
6,2V zener 0,5W	1	
TL071	1	
BC557	3	
Misc		
banana jack - BLACK	3	all depends on the build layout
banana jack - BLUE	2 or 3	

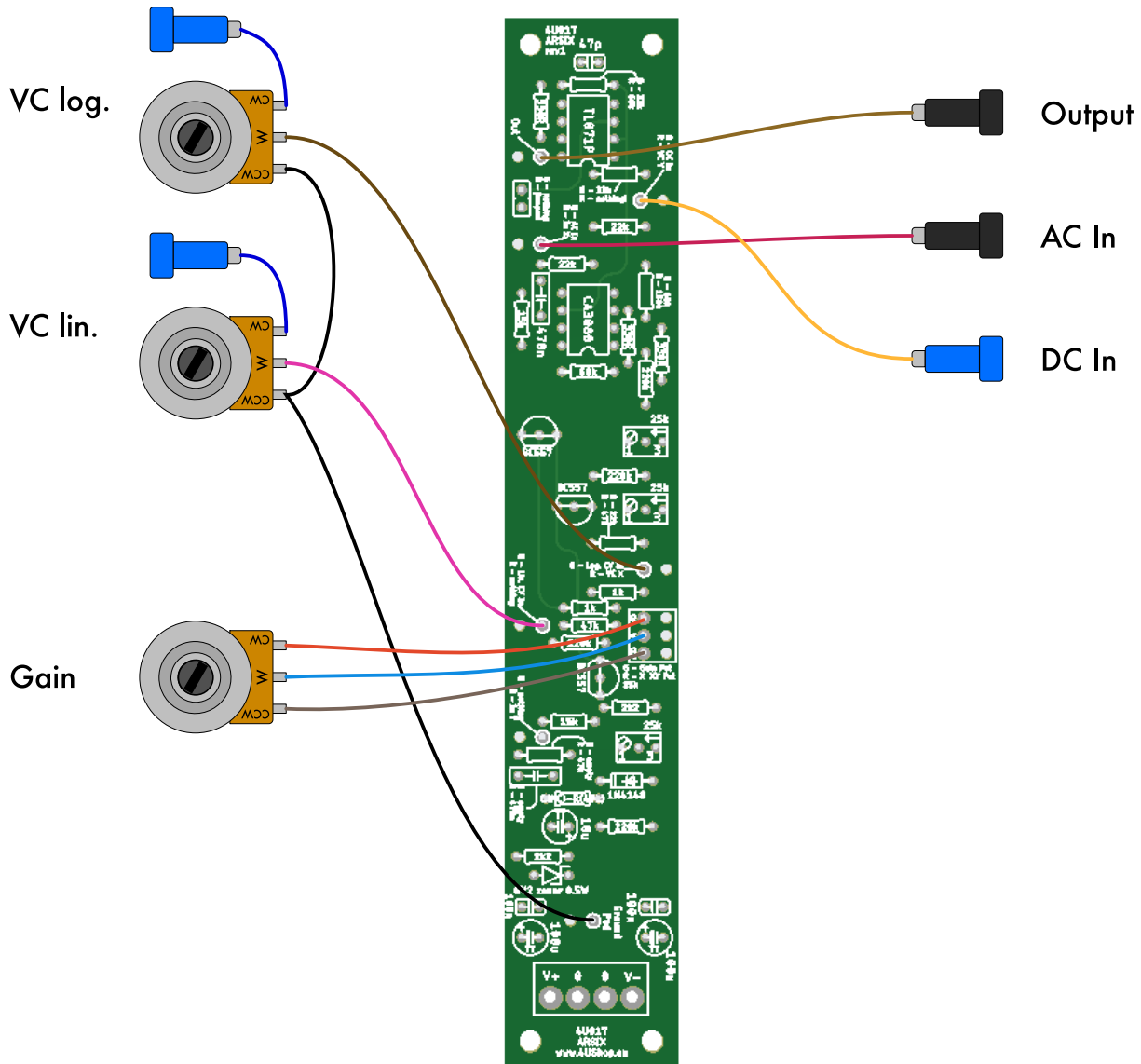
Wiring - as Ring Modulator



Please note.

Just like the original/vintage version, this board is a "multi-purpose" board - you can build it as Ring or Gate - watch out for the marked parts and different wiring!

Wiring - as Gate



Please note.
Just like the original/vintage version, this board is a "multi-purpose" board - you can build it as Ring or Gate - watch out for the marked parts and different wiring!