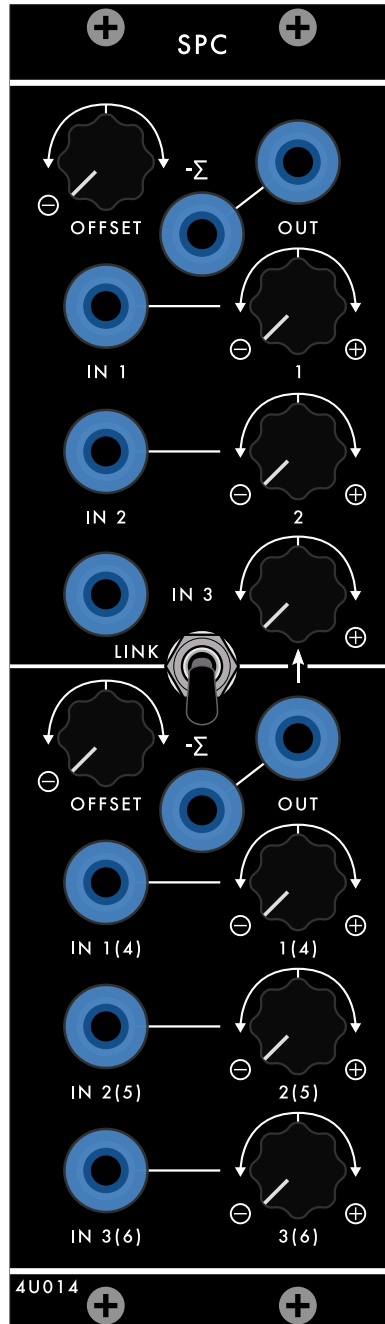
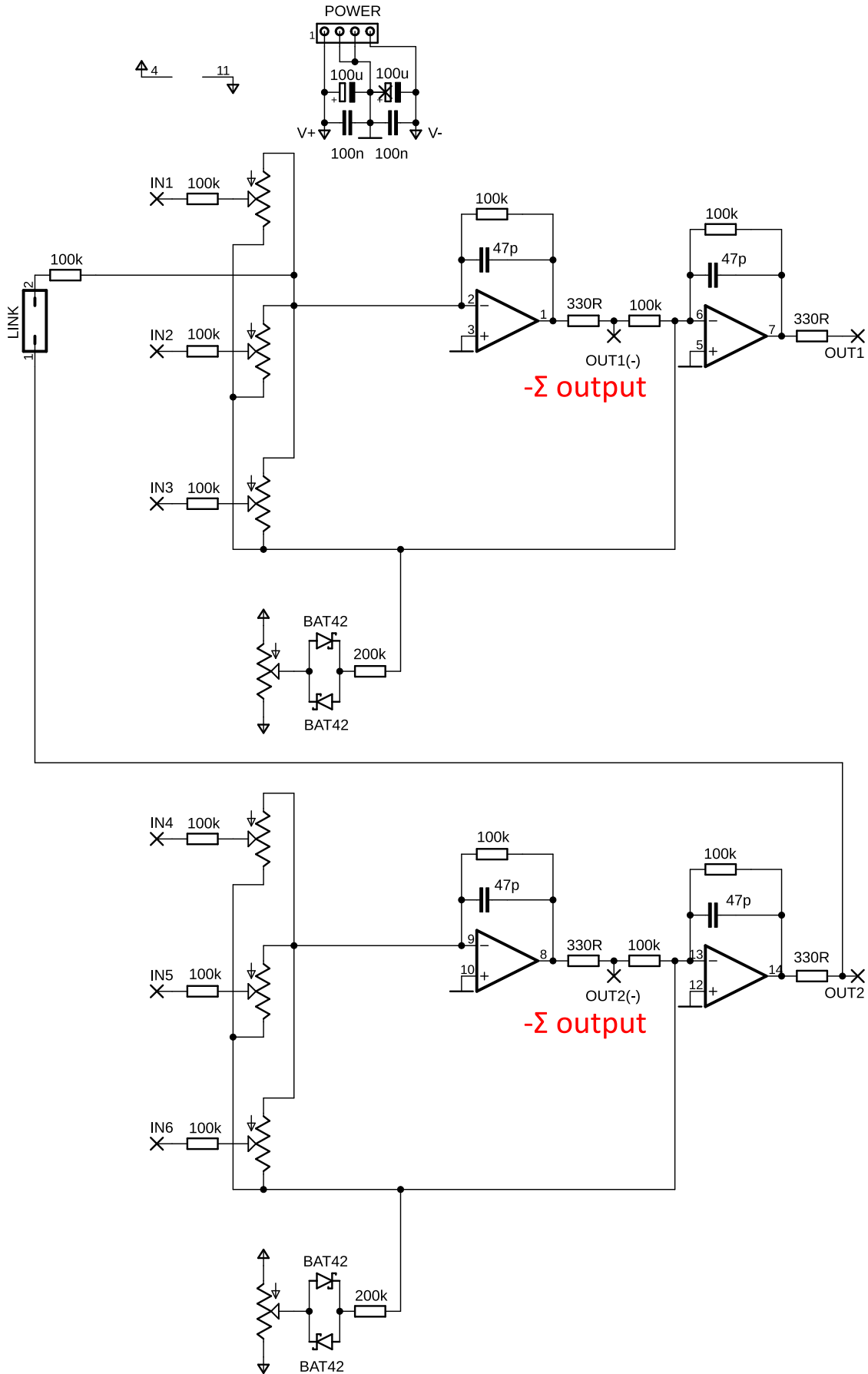


# 4U014 - SPC



# Schematic



# BOM

4U014 - SPC

*dual voltage processor, with additional inverter outputs and link switch*

Value, name	Quantity	Remark
<b>Capacitors</b>		
100uF	2	electrolytic, 35V
100nF	2	small footprint ceramic
47pF	4	ceramic
<b>Resistors</b>		
330R	4	
100k	13	
200k	2	
100k pots	8	
<b>Semiconductors</b>		
BAT42	4	
TL074	1	
<b>Misc</b>		
banana jack - BLUE	10	
SPDT switch	1	Link switch

# Wiring

