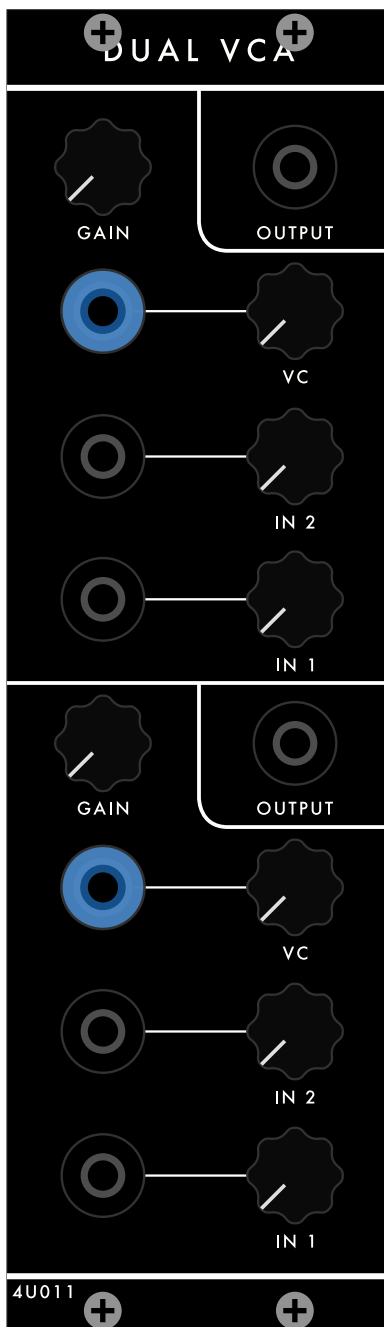
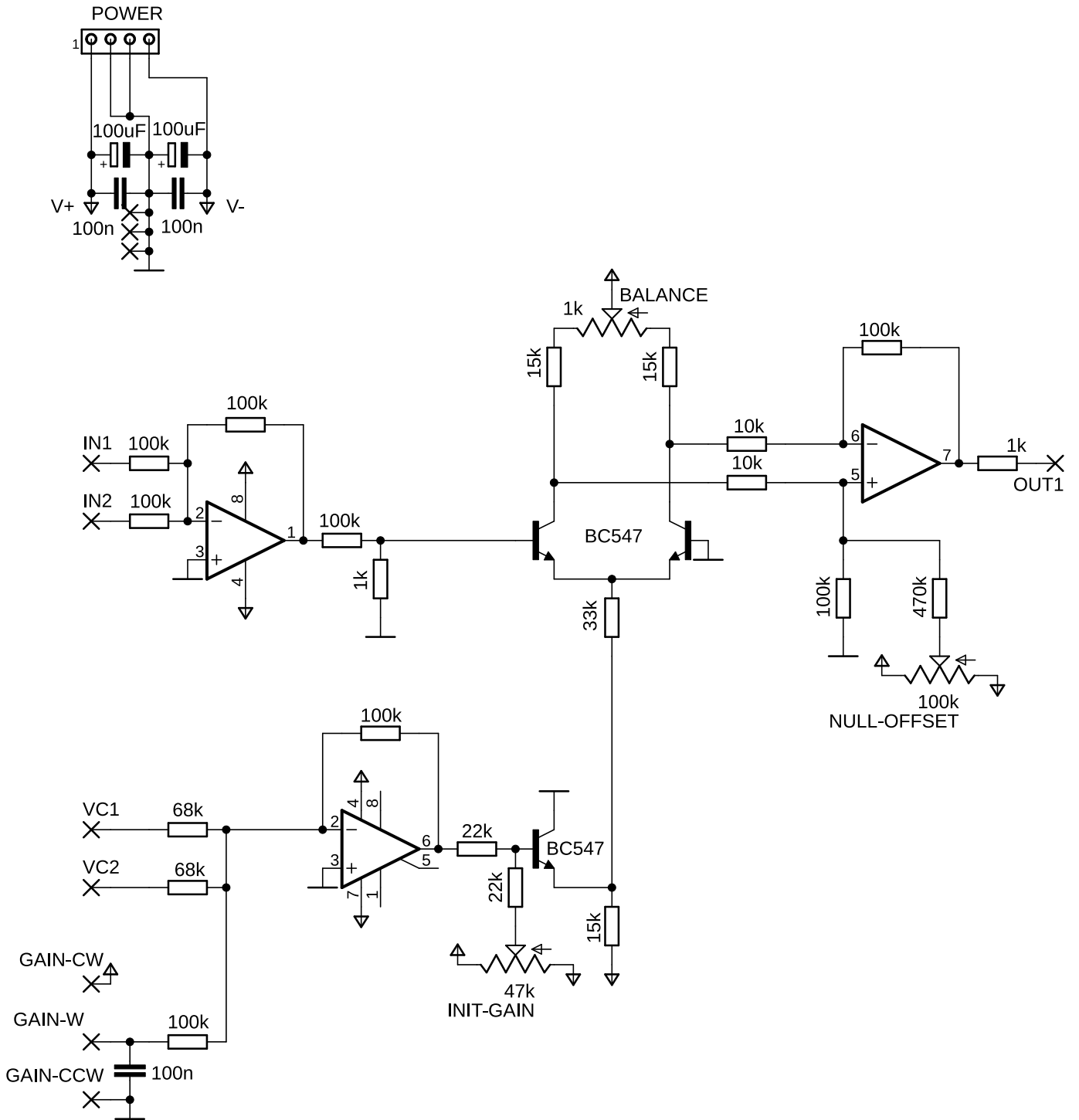


# 4U011 - DUAL VCA



# Schematic



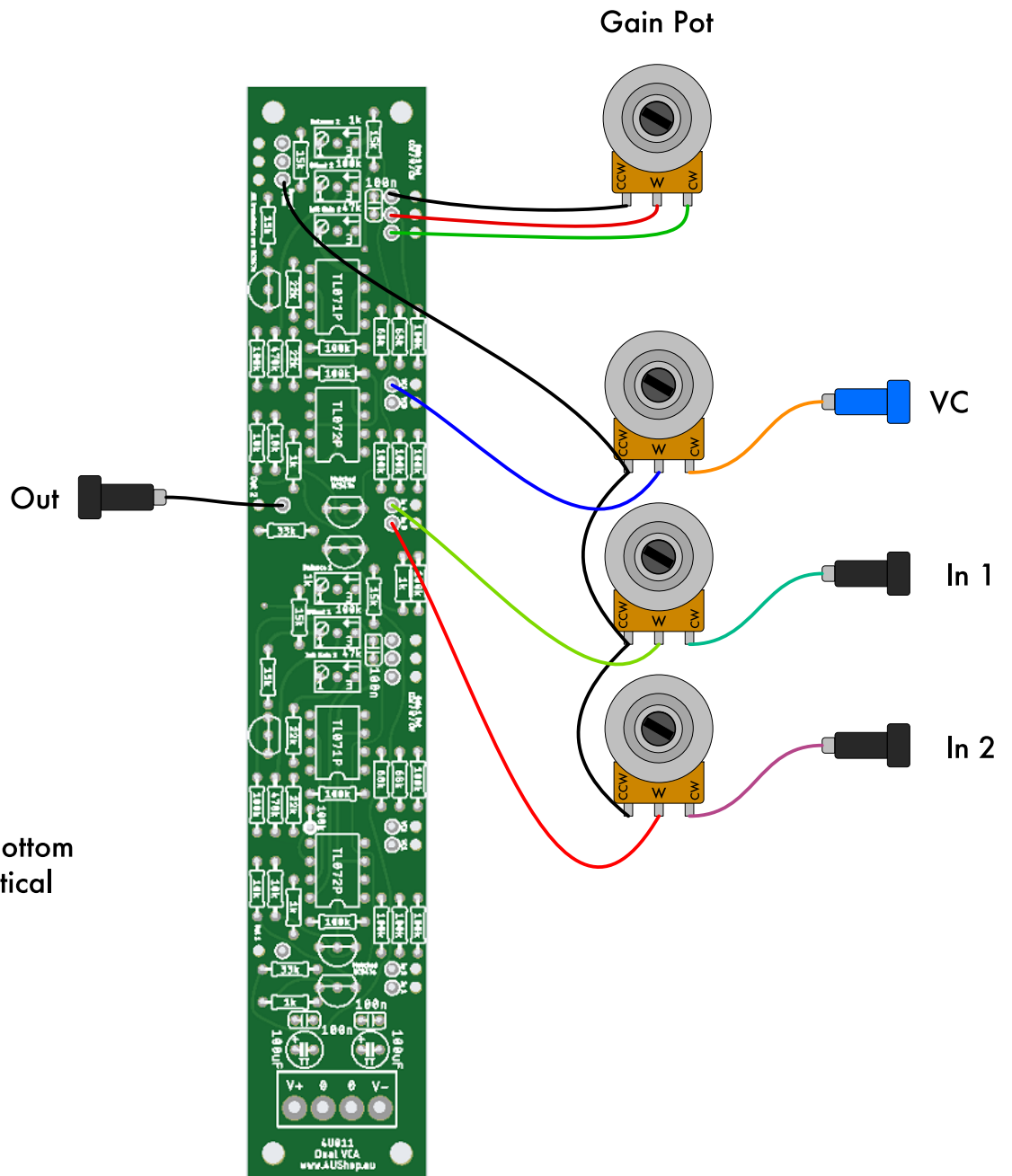
# BOM

4U011 - Dual VCA

4U, dual adaptation of the Yusynth Simple VCA

Value, name	Quantity	Remark
<b>Capacitors</b>		
100uF	2	electrolytic, 35V
100nF	4	film, 2 is small footprint ceramic
<b>Resistors</b>		
1k	4	
10k	4	
15k	6	
22k	4	
33k	2	
68k	4	
100k	16	
470k	2	
1k trimpot	2	Balance trimmers, 1/4", really small - common size could be used
47k trimpot	2	Init Gain trimmers, 1/4", really small - common size could be used
100k trimpot	2	Null-Offset trimmers, 1/4", really small - common size could be used
100k pot	2	Gain pots
<b>Semiconductors</b>		
BC547	6	(including the matched pairs)
TL072	2	
TL071	2	
<b>Misc</b>		
banana jack - BLUE	2	depends on the build
banana jack - BLACK	4	

# Wiring



Wiring for the bottom unit/part is identical