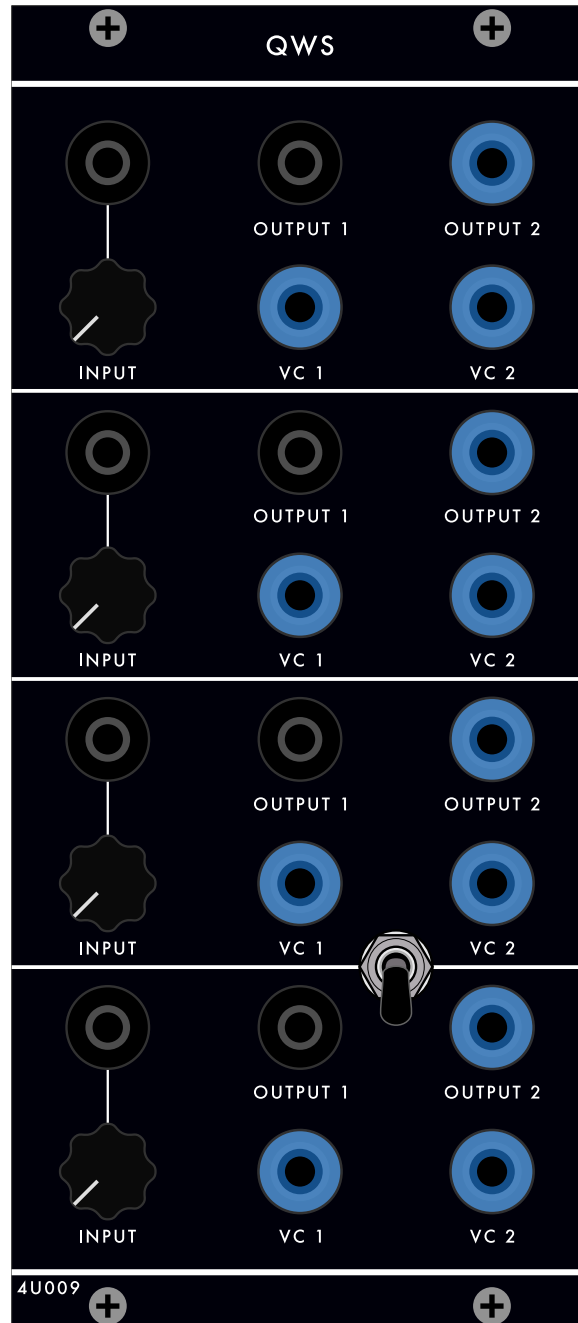
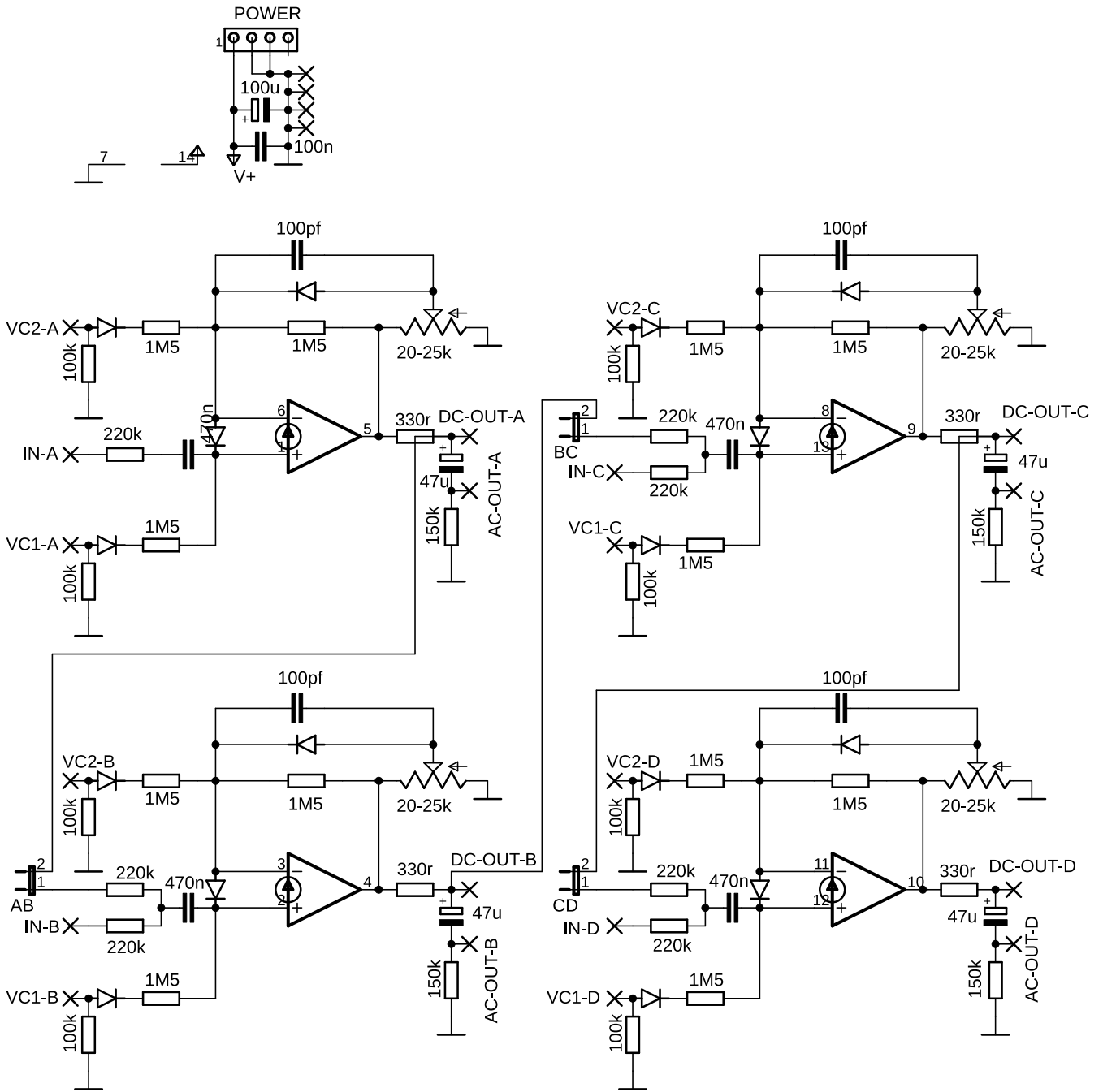


# 4U008 - QWS



# Schematic



# BOM

4U009 - QWS

*quad voltage controlled waveshaper; based around a true classic, a 50+ years old design*

Value, name	Quantity	Remark
<b>Capacitors</b>		
47uF	4	electrolytic, 35V
100uF	1	electrolytic, 35V
100pF	4	ceramic
100nF	1	small footprint ceramic
470nF	4	film
<b>Resistors</b>		
330R	4	
100k	8	
150k	4	
220k	7	
1M5	12	
20-25k trimpot	4	
100k in pot	4	
<b>Semiconductors</b>		
1N4148	16	
LM3900	1	
<b>Misc</b>		
banana jack - BLUE	12	
banana jack - BLACK	8	

