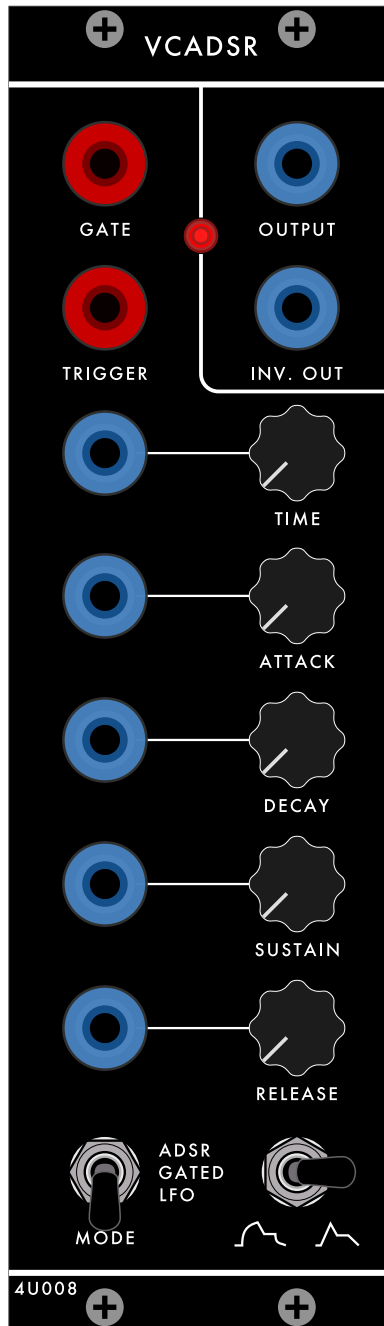
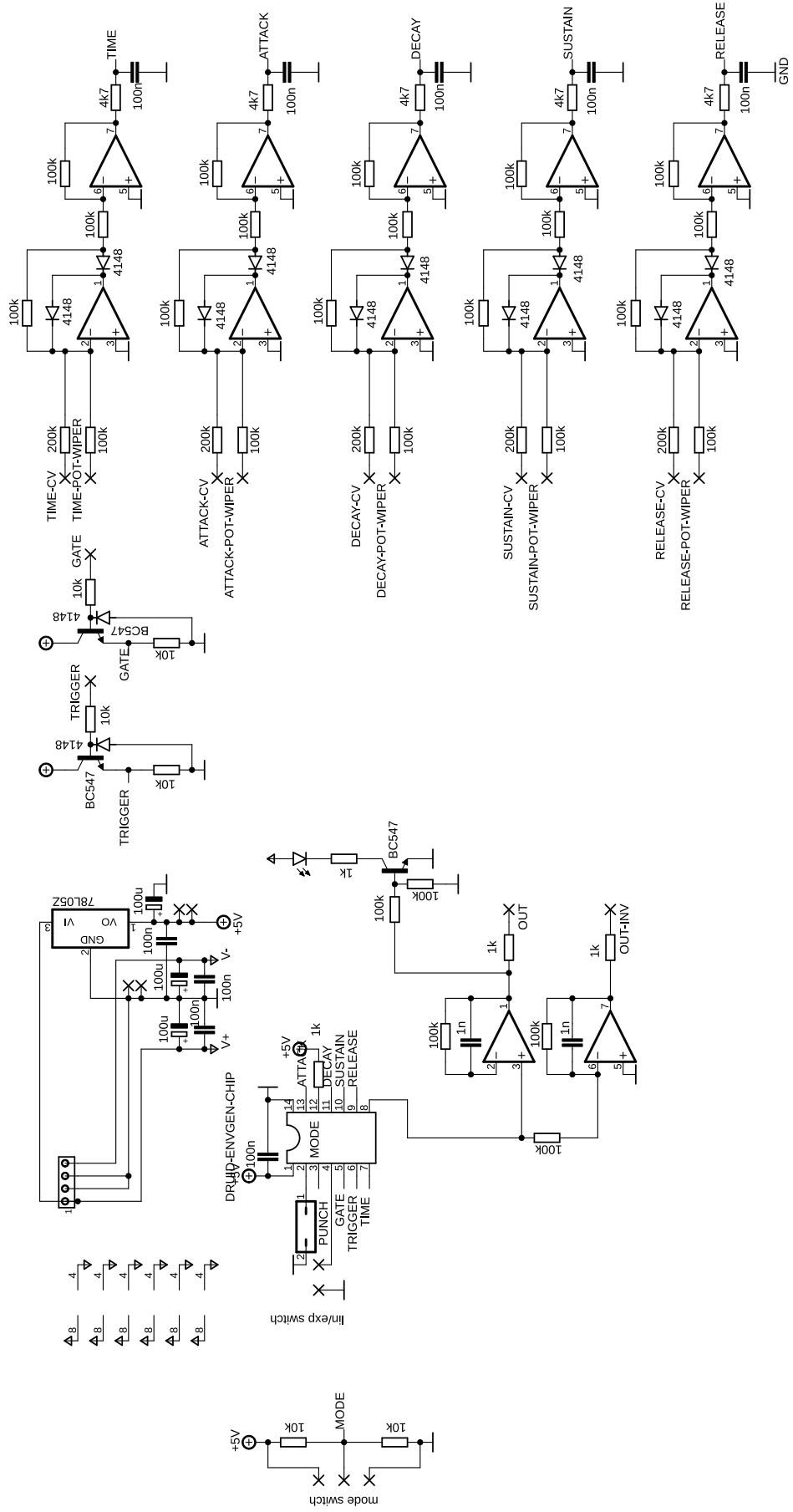


4U008 - VCADSR



Schematic



BOM

4U008 - VCADSR

voltage controlled envelope generator, based around the Electric Druid ENVGEN chip

| Value, name | Quantity | Remark |
|----------------------------|----------|---|
| Capacitors | | |
| 100uF | 3 | electrolytic, 35V |
| 100nF | 9 | film, 2 is small footprint ceramic |
| 1nF | 2 | film |
| Resistors | | |
| 1k | 4 | |
| 4k7 | 5 | |
| 10k | 6 | |
| 100k | 25 | |
| 200k | 5 | |
| 100k pots | 5 | |
| Semiconductors | | |
| 1N4148 | 12 | |
| 78L05 | 1 | |
| TL072 | 6 | |
| BC547 | 3 | |
| Electric Druid ENVGEN chip | 1 | https://electricdruid.net/product/envgen8/ |
| Misc | | |
| banana jack - BLUE | 7 | |
| banana jack - RED | 2 | |
| LED | 1 | optional |
| SPDT switch | 1 | Lin/Exp switch |
| SPDT switch | 1 | Punch on/off switch, optional |
| SP3T switch | 1 | Mode switch |

Wiring

