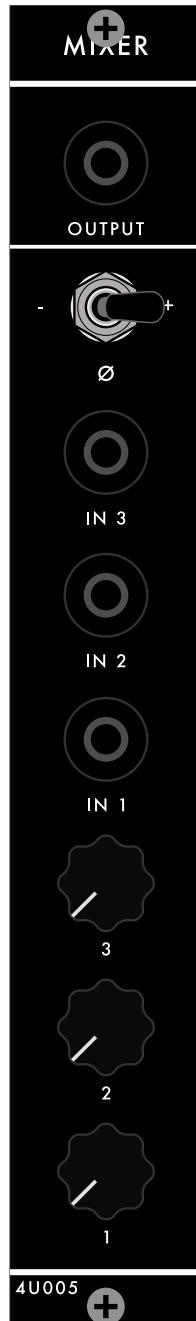
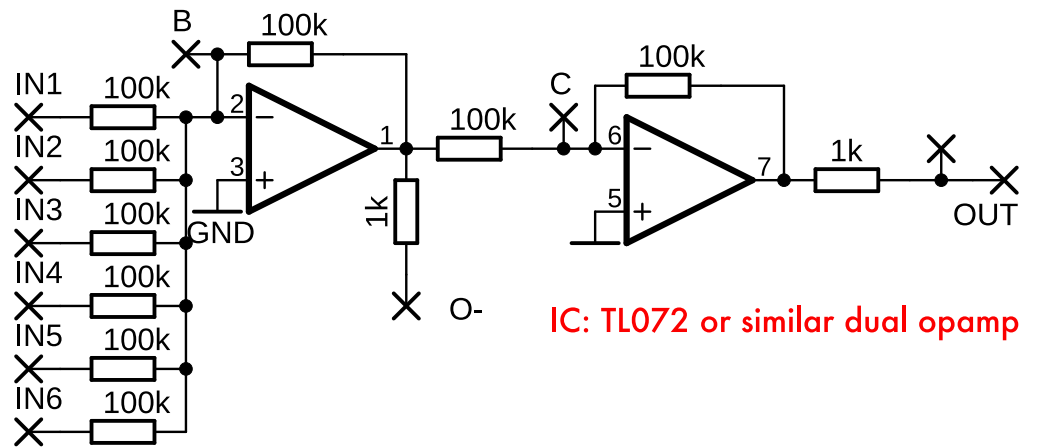
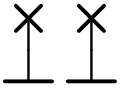
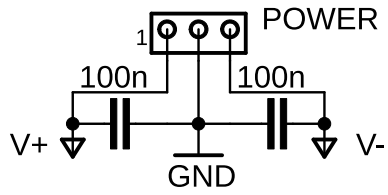


4U005 - MIXER



Schematic



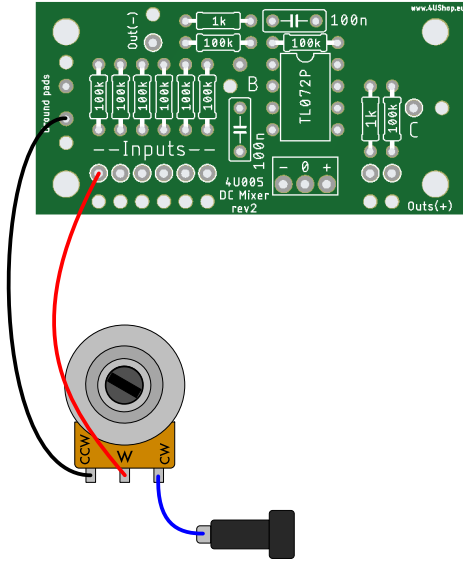
BOM

4U005 - Mixer

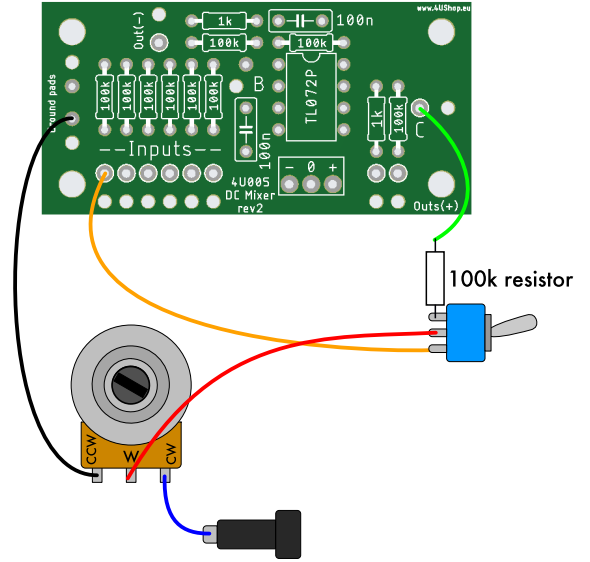
simple mixer, based on the well known "Cat-classic"

Value, name	Quantity	Remark
Capacitors		
100nF	2	larger footprint
Resistors		
1k	2	
100k	9	depends on the number of inputs used
100k pots	6	depends on the number of inputs used
Semiconductors		
TL072	1	
Misc		
banana jack - BLACK	8	depends on the build configuration

Wiring examples



input wiring example



phase switch wiring example