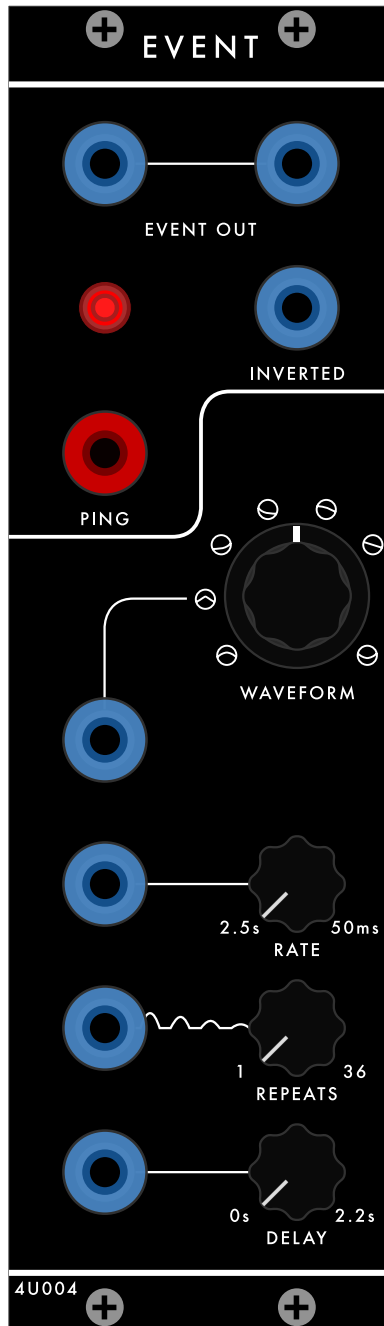
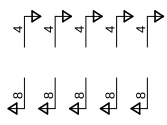
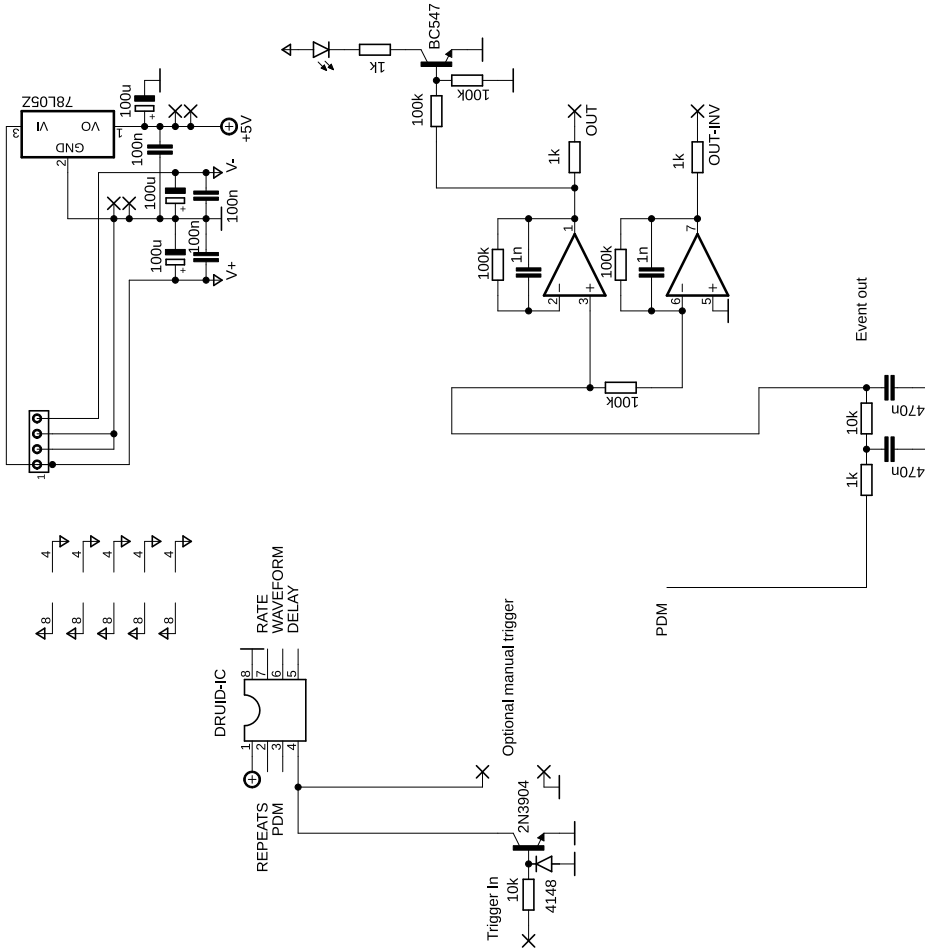
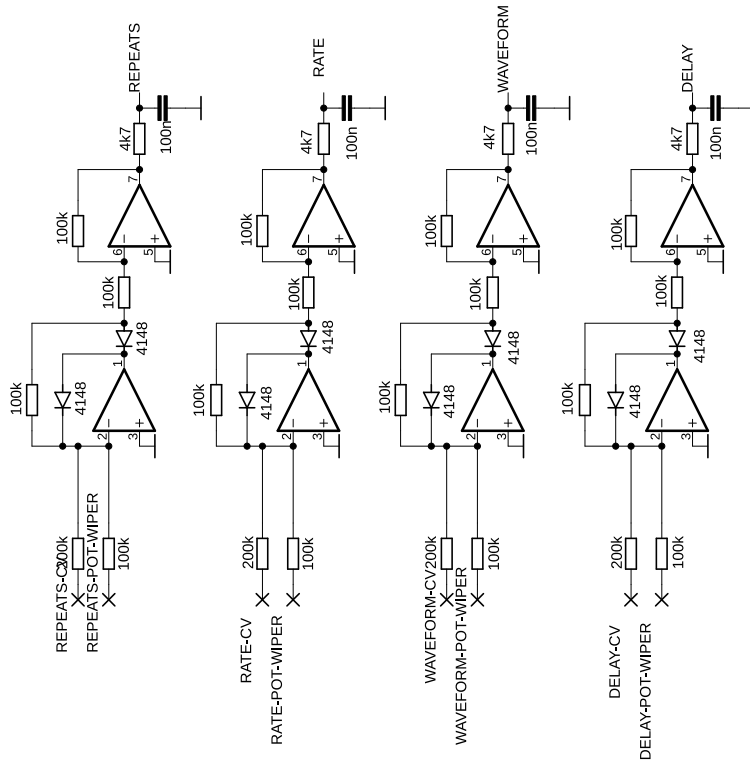


4U004 - EVENT



Schematic



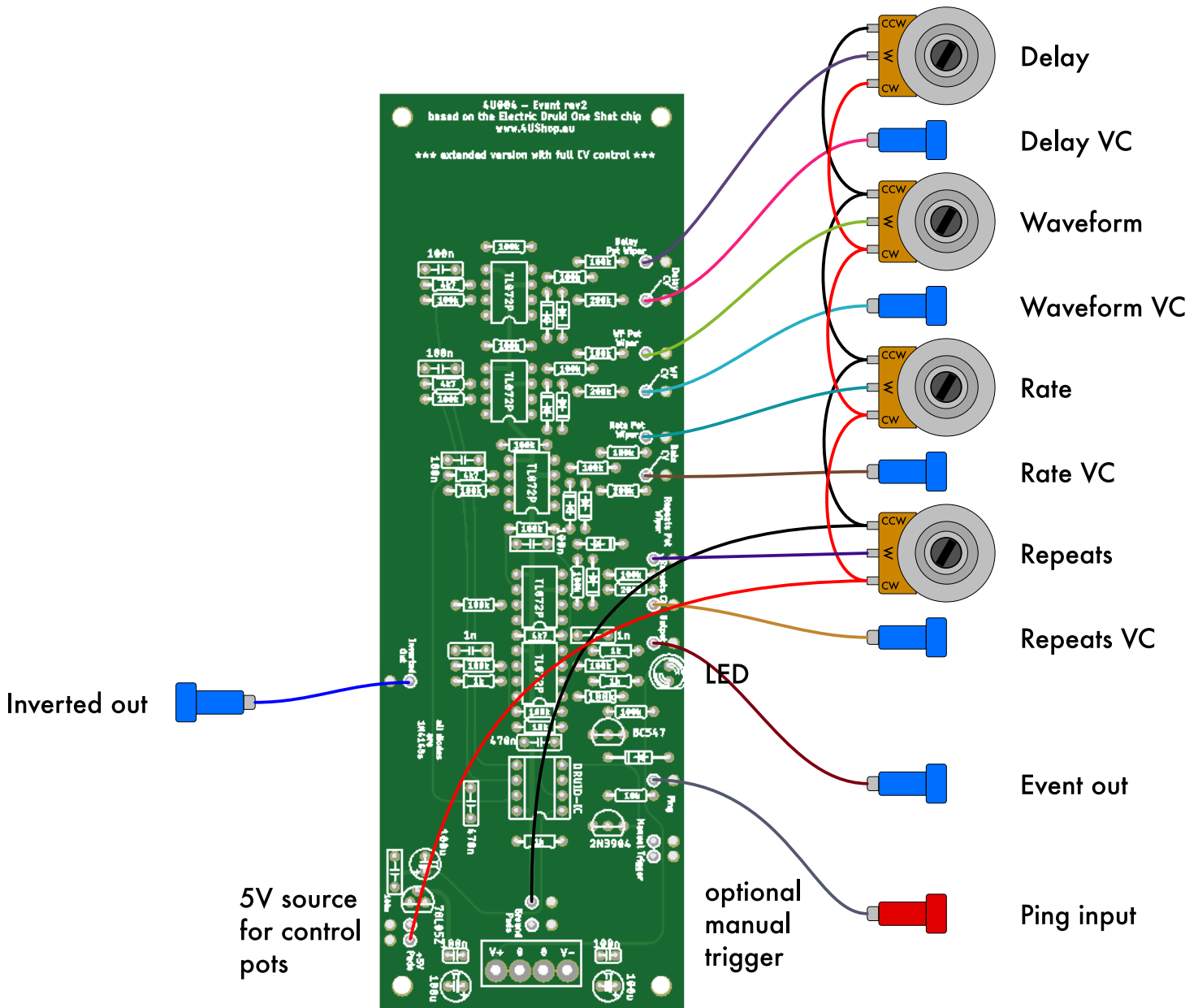
BOM

4U004 - Event

oneshot event generator, based around the Electric Druid Oneshot Event Generator chip

Value, name	Quantity	Remark
Capacitors		
100uF	3	electrolytic, 35V
1nF	2	
100nF	7	film, 1 is small footprint ceramic for PSU smoothing
470nF	2	
Resistors		
1k	4	
4k7	4	
10k	2	
100k	21	
200k	4	
100k control pots	4	
Semiconductors		
2N3904	1	
BC547	1	
1N4148	9	
TL072	5	
Electric Druid IC	1	https://electricdruid.net/product/oneshot-event-generator/
78L05Z	1	
Misc		
LED	1	5 mm
banana jack - BLUE	7	
banana jack - RED	1	

Wiring



Build example

