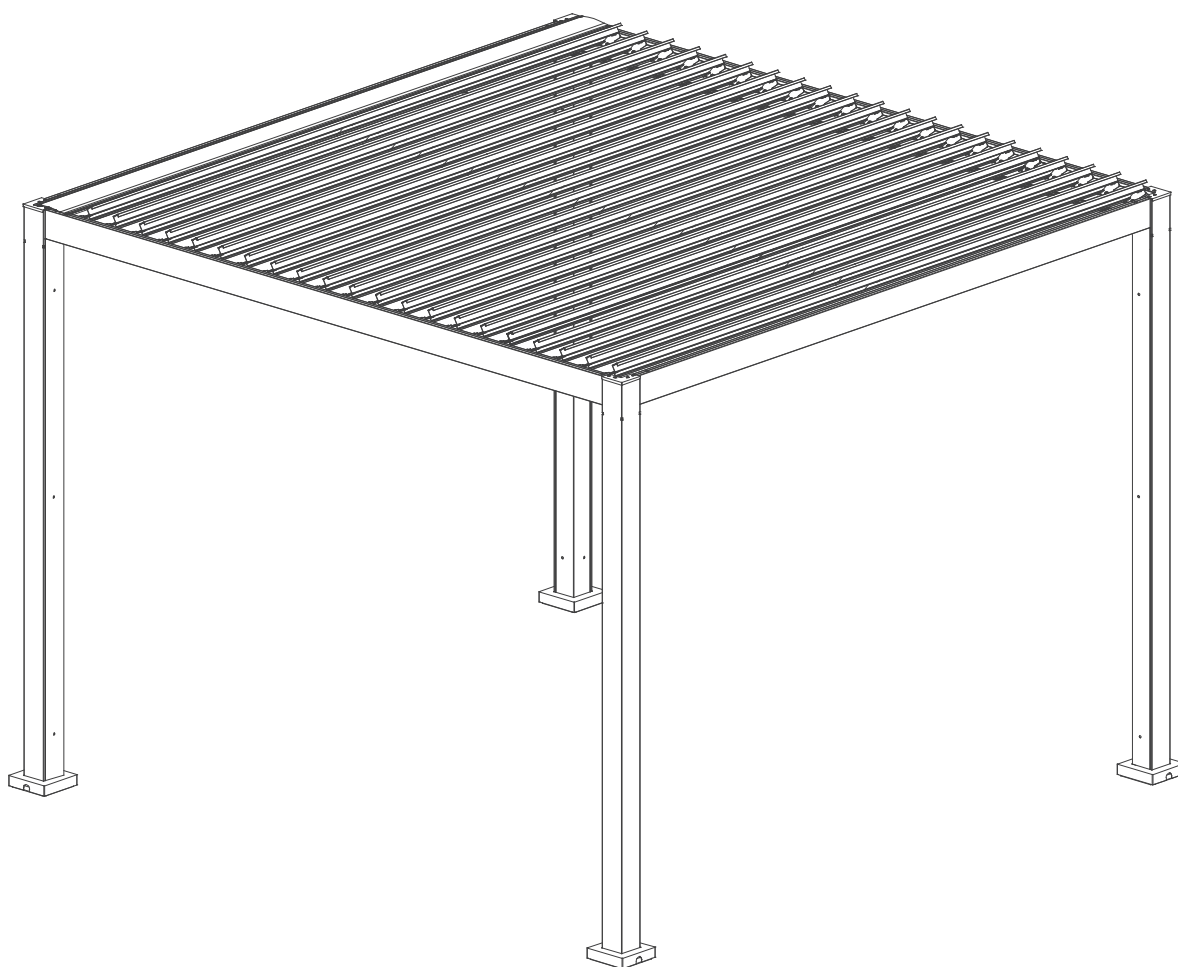




Assembly Instruction

ITEM SKU:GM-10×10LG-WHT



GENERAL BEST PRACTICES FOR ASSEMBLY:

- Please read and understand this entire manual before attempting to assemble or install the product.
- Before beginning assembly of product, make sure all parts are present. Compare parts with package contents list and hardware contents list. If any part is missing or damaged, do not attempt to assemble the product.
- The assembled gazebo should be located at least 6 feet from any obstruction such as fence, garage, house, overhanging branches, laundry lines or electrical wires.
- Some parts may contain sharp edges. Wear protective gloves if necessary, during assembly.
- This unit is heavy. For safety, do not assemble this item alone. Four people are recommended for safe assembly.
- Check all nuts and bolts periodically for tightness and, when required, tighten them again.
- Pay attention to the parts orientation.

WARNINGS:

- Install the gazebo on level ground. Stakes are provided to secure the gazebo to the ground.
- Do not assemble the gazebo on sandy, muddy or loose soil, as stakes do not have enough anchorage in these types of soil.
- If you wish to secure the gazebo to a wood deck or concrete surface, use anchors suited to these surfaces.
- Snow must be cleared off regularly during snowy days. Remove the snow at the roof top when it is thicker than 2 inches. In order to avoid damage, use a plastic snow rake to remove excessive snow and ice buildup from roof and keep away from falling debris.
- Do not leave the gazebo where there is a risk of high wind, as possible damage will occur to the structure.
- Any assembly or maintenance of the product must be carried out by adults only.
- Please check your state and local regulations prior to purchasing. Some jurisdictions may require permits for installation and use. Some special procedures may be valid in your area.
- Please use touch-up paint on any scratches to prevent rust.
- For outdoor use only.

WARRANTY:

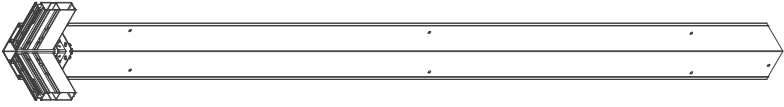

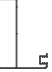



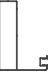






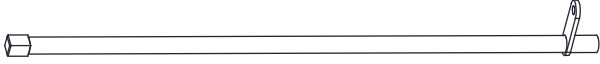
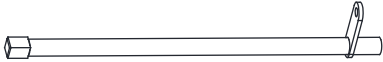
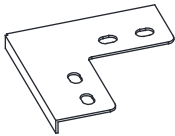
WHAT IS COVERED ?

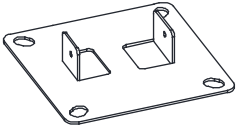
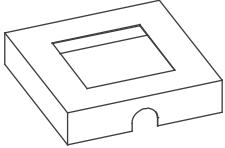
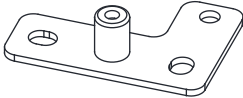
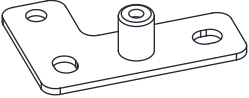
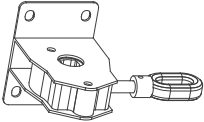
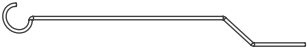
The limited warranty is extended to the original purchaser and applies to material and manufacturer's defect provided the item is maintained with care and used only for personal, residential purposes.

Warranty: 1 Year

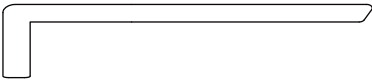



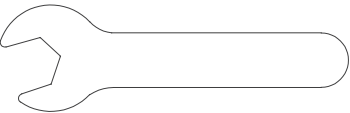
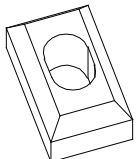
MAINTENANCE:

- Steel components for this gazebo are treated with rust inhibiting paint that protects them from rusting. However, due to the nature of steel, surface oxidation (rusting) will occur if these protective coatings are scratched. This is not a defect and thus not covered by the warranty.
- To minimize this condition, it is recommended to use care when assembling and handling the product to prevent scratching the paint. Should any scratching or damage occur, it is recommended to cover the scratch immediately with rust inhibiting paint (not included).
- Surface rust can also be easily removed with a very light application of regular cooking oil or WD-40. If surface oxidation (rusting) occurs and if no measure is taken to prevent this, the oxidation may start dripping onto deck or patio and caused damaging stains, which may be difficult to remove. This can be prevented if the above-mentioned measures are taken to keep the product from oxidizing.
- Do not use bleach, acid, or other abrasive cleaners on the roof or frame parts.
- Keep instruction manual for future reference.
- Keep the original packaging to store the gazebo.
- Periodically check and ensure that all bolts are well-tighten during use.

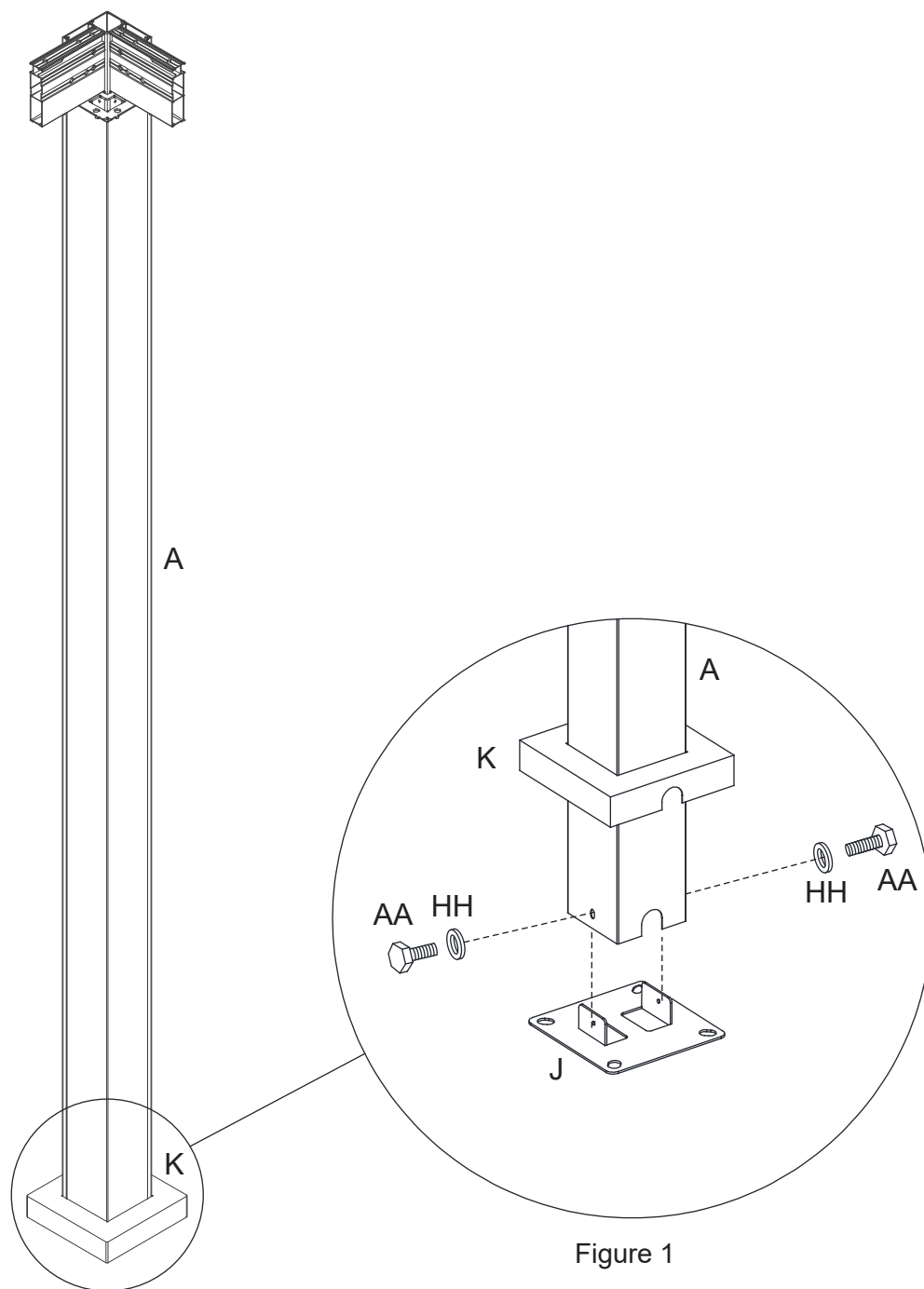
PART	QTY	DIAGRAM	
Corner Post A	4		
Front Lintel B	1	 	
Rear Lintel C	1	 	
Left Lintel D	1	 	
Right Lintel E	1	 	
Cover Plate F	1	 	
Louver G	21	 	
Connecting Rod H1	1		
Connecting Rod H2	1		
Cap Liner I	4		

PART	QTY	DIAGRAM
Base Plate J	4	
Base Cover K	4	
Connecting Rod Connector L1	1	
Connecting Rod Connector L2	1	
Spinners M	1	
Crank Q	1	

PART	QTY	DIAGRAM
Bolt AA	48	 <p style="text-align: right;">M6*15MM</p>
Bolt BB	16	 <p style="text-align: right;">M6*140MM</p>
Bolt CC	2	 <p style="text-align: right;">M6 x 10mm</p>
Bolt DD	84	 <p style="text-align: right;">M5 x 8mm</p>
Nut EE	2	 <p style="text-align: right;">M6</p>
Bolt FF	8	 <p style="text-align: right;">M6*15MM</p>
Bolt GG	2	 <p style="text-align: right;">M6*25MM</p>
M6 Washer HH	76	 <p style="text-align: right;">M6</p>
M8 Washer II	2	 <p style="text-align: right;">M8</p>

PART	QTY	DIAGRAM
Stake KK	16	
Allen wrench LL	1	 4#
Allen wrench MM	1	
Allen wrench XX	1	 3#
Wrench YY	1	
Block ZZ	2	

Step 1



1. Slide the Post (A) through the Base Cover (K), connect the Corner Post (A) with the Base Plate (J), fix them with the Bolt (AA) and Washers (HH). See Figure 1.

Note: The direction of the opening on the Base Cover (K) should be consistent with the direction of the opening on the Post (A).

Step 2

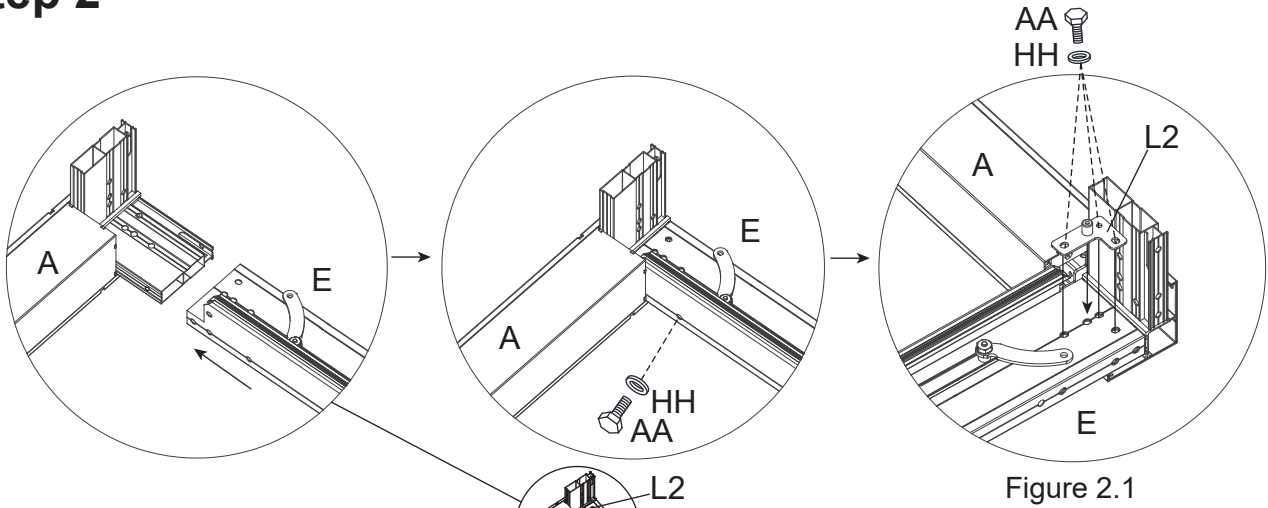


Figure 2.1

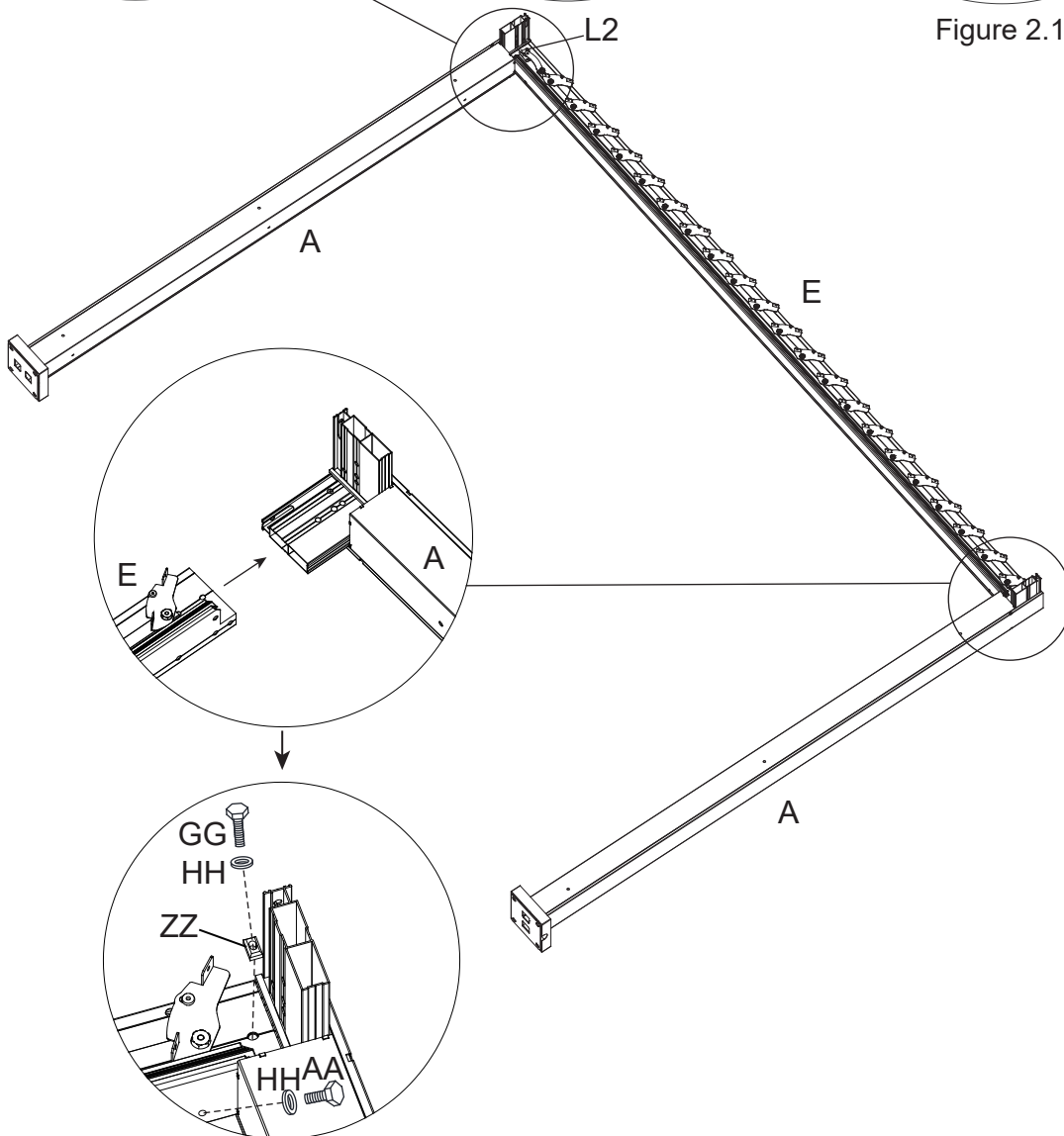


Figure 2.2

2. Slide the Corner Post (A) into the Right Lintel (E), connect one end of the Right Lintel (E) to the Corner Post (A) through the Rod Connector (L2) by using Bolts (AA/HH), connect the Corner Post (A) to the other end of the Right Lintel (E) by using Bolts (AA/GG/HH) and Block (ZZ) See Figure 2.1-2.2.

Step 3

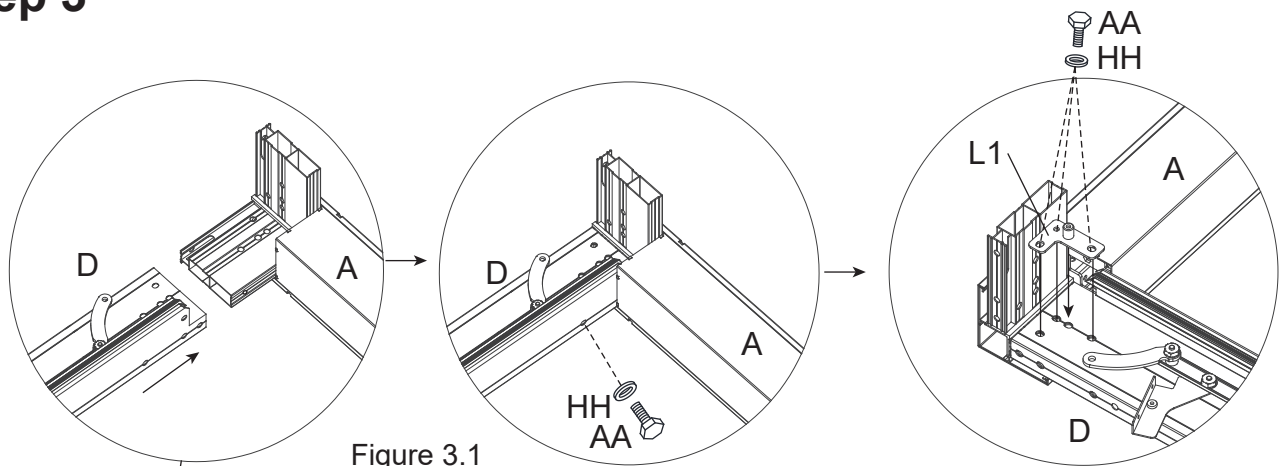


Figure 3.1

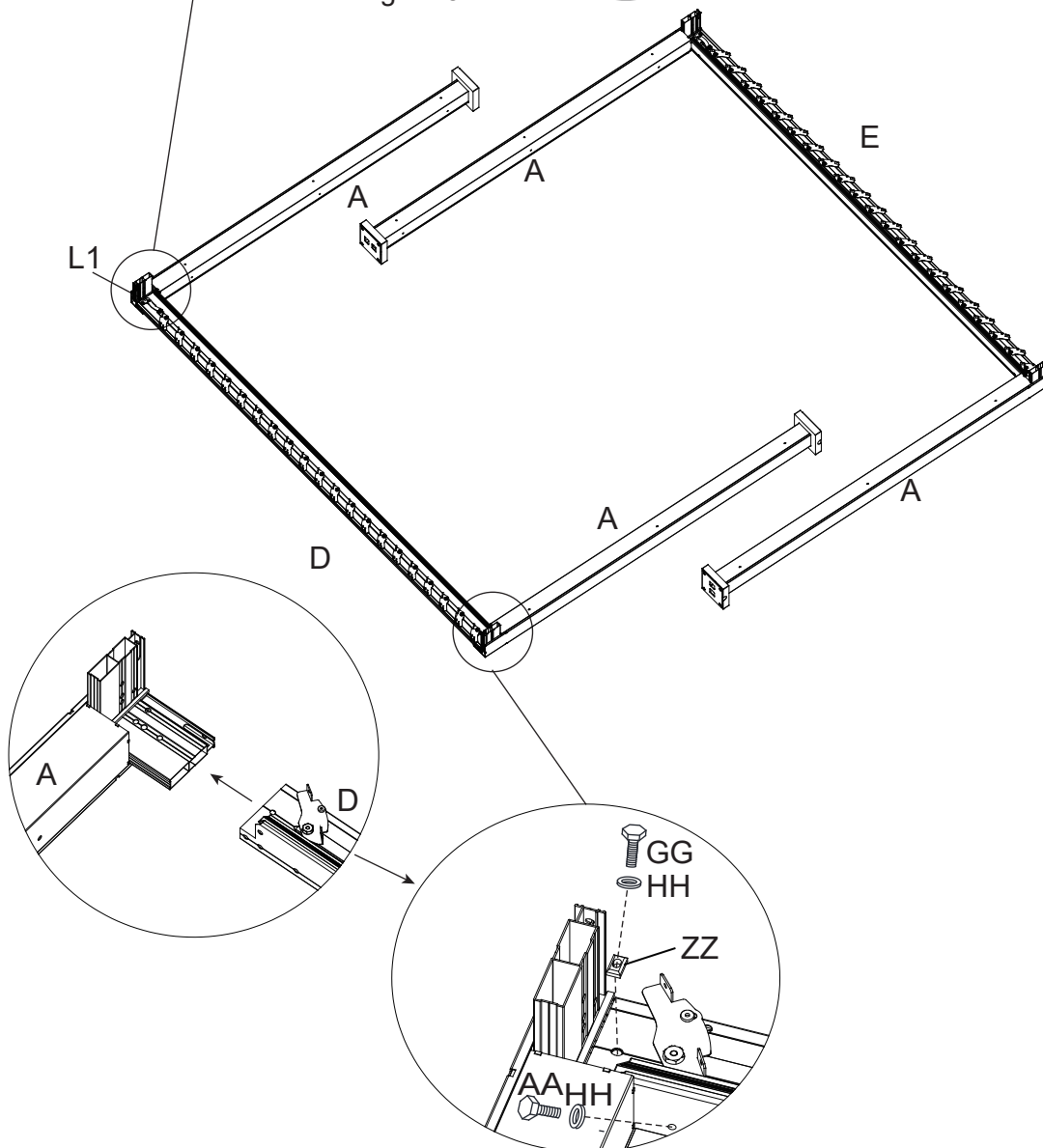
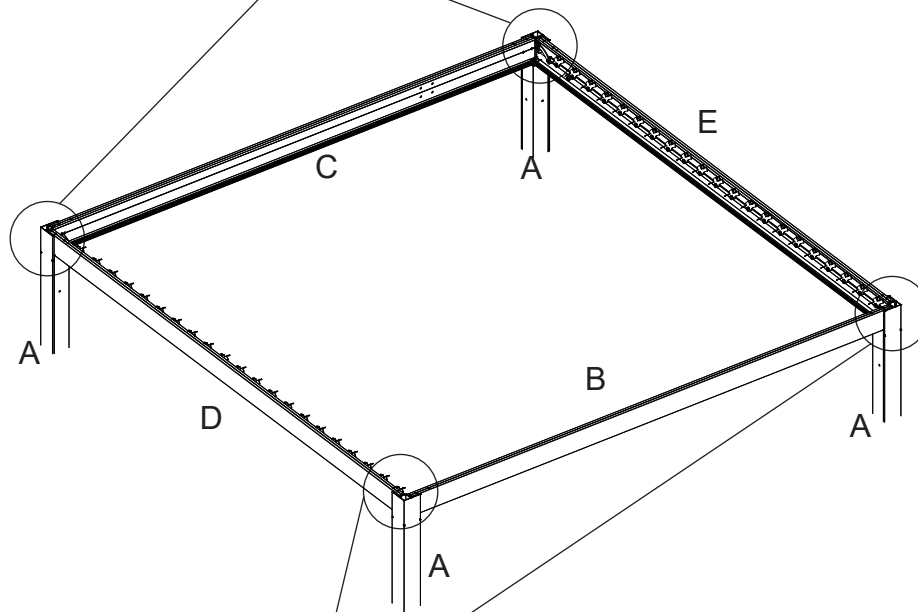
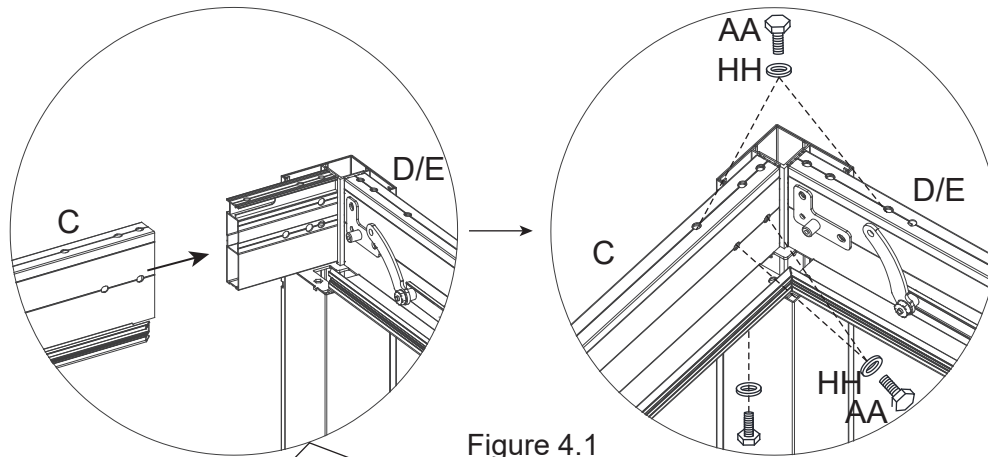


Figure 3.2

3. Slide the Corner Post into the Left Lintel (D), connect one end of the Left Lintel (D) to the Corner Post (A) through the Rod Connector (L1) by using Bolts (AA/HH), connect the Corner Post (A) to the other end of the Left Lintel (D) by using (AA/GG/HH) and Block (ZZ). See Figure 3.1-3.2.

Step 4



4. Slide the Lintels (B/C) into the Corner Post (A) and connect them together by using Bolts (AA/HH). See Figure 4.1-4.2. The same assembly way for both sides.

Tips: Slide the Lintels (B/C) into the Corner Posts (A) from two sides at the same time.

Step 5

This hole do not install the bolt now

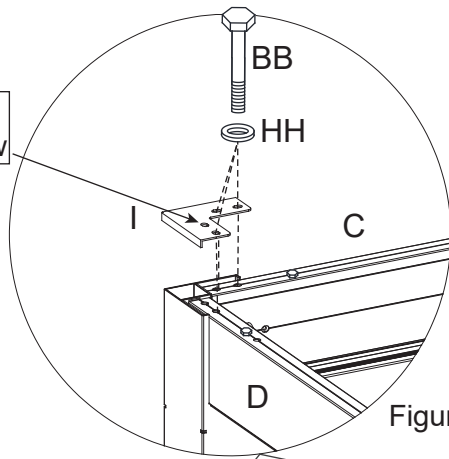


Figure 5.1

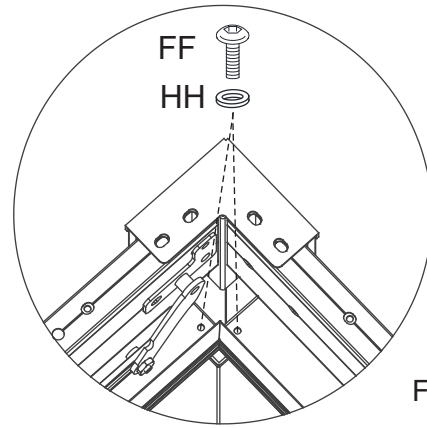


Figure 5.3

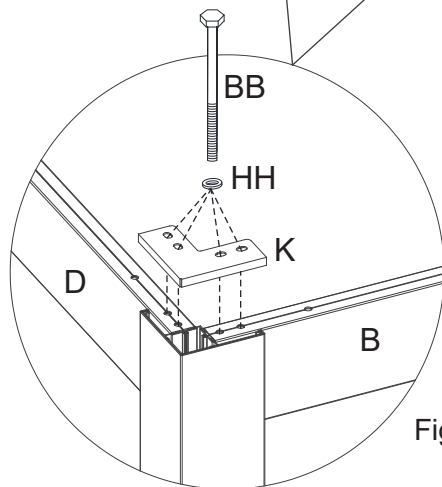
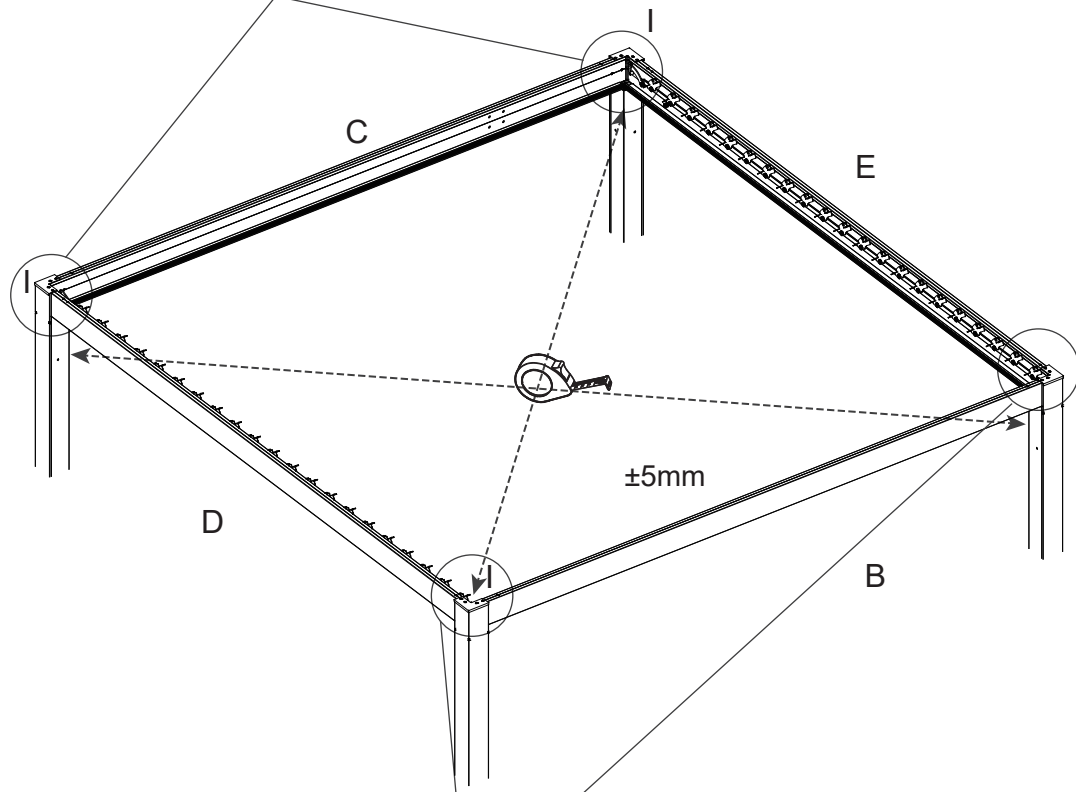


Figure 5.2

5. Connect the Cap Liner (I) and the Lintels (B/C/D/E) with Bolt (BB) and Washers (HH) . Then fix the Lintels (B/C/D/E) and the Post (A) with Bolt (FF) and Washers (HH) . See Figure 5.1- Figure5.3. Note: Be sure measurements diagonally across the overall frame are within 5mm of the same distance after completing this step.

Step 7

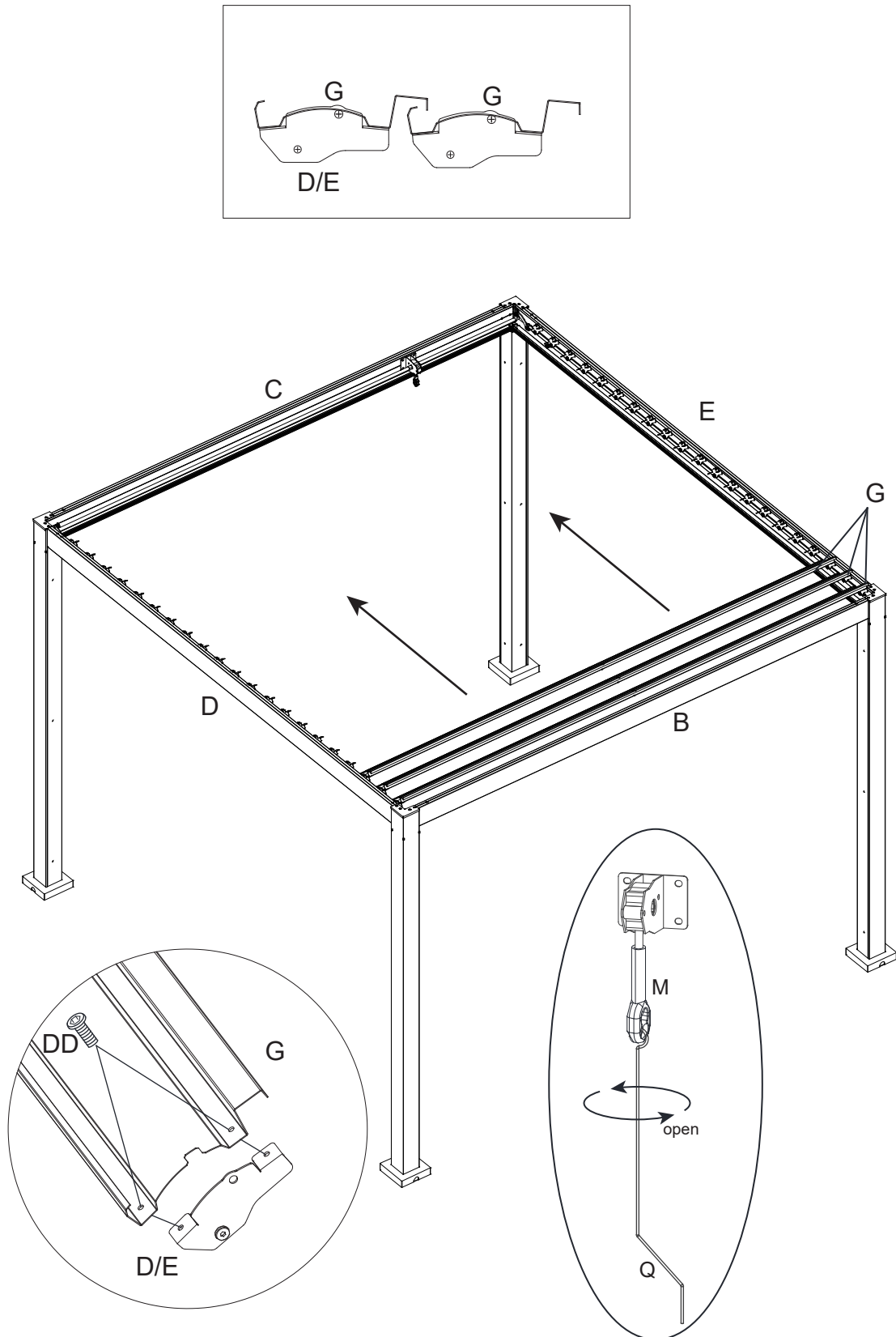


Figure 7.1

Figure 7.2

7.1 Connect the Louver (G) to the Lintels (D/E) and secure them with Bolts (DD). See Figure 7.1.
7.2 Hang the Hand Crank (Q) on the Spinners (M) to control the opening and closing of the louver roof slats. See Figure 7.2.

Note: The Louver (G) is installed from back to front in the direction of the arrow.

Step 8

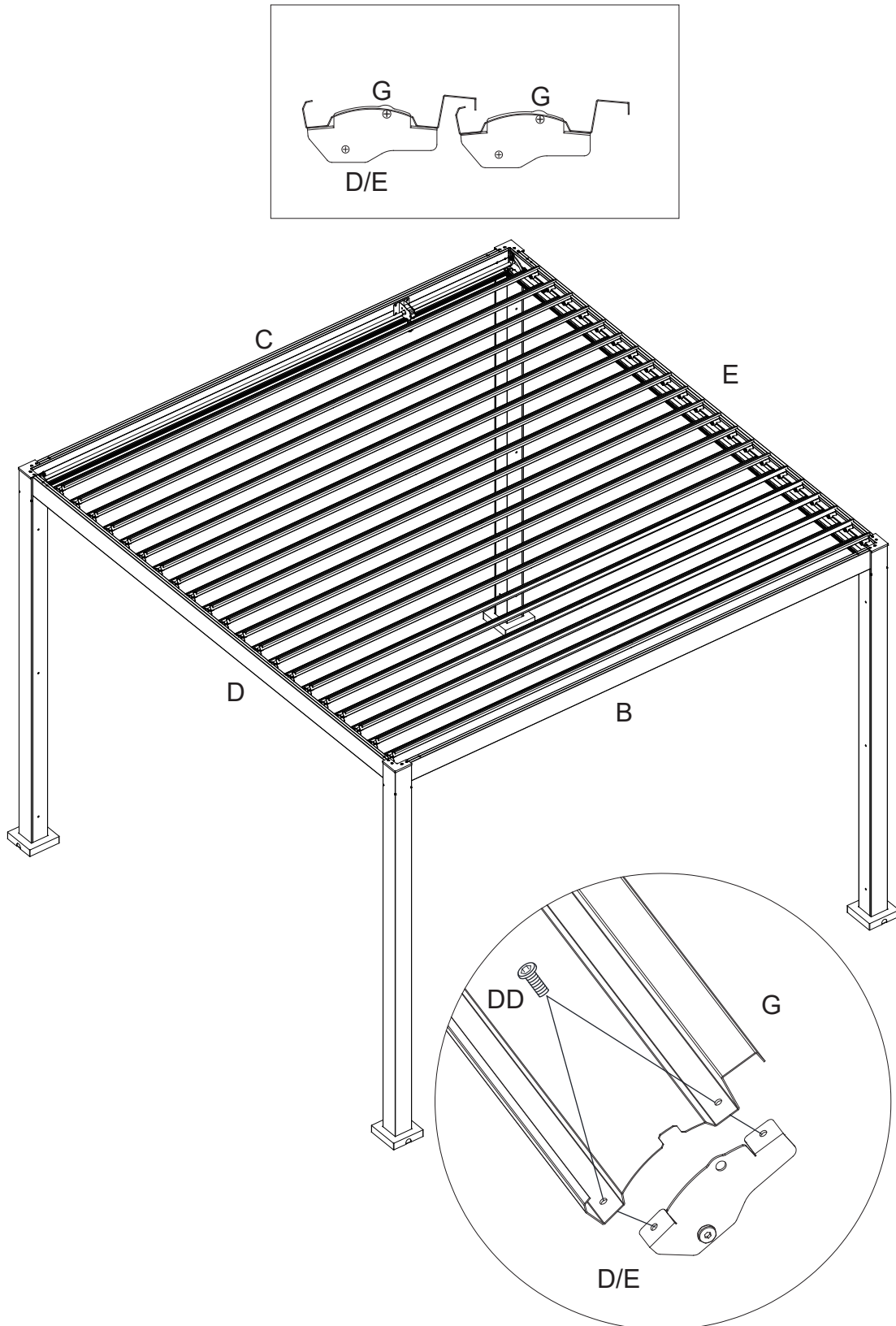
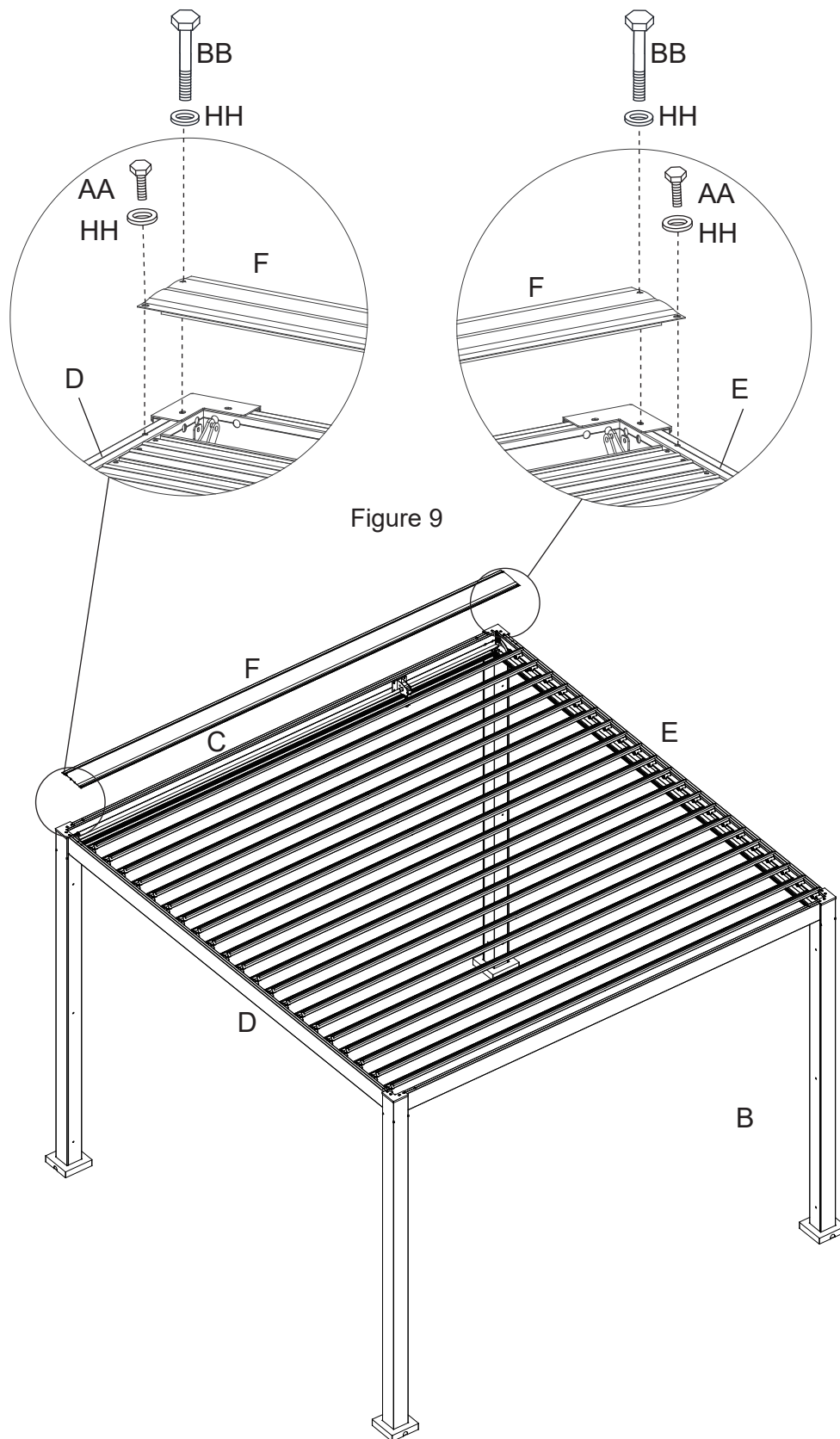


Figure 8

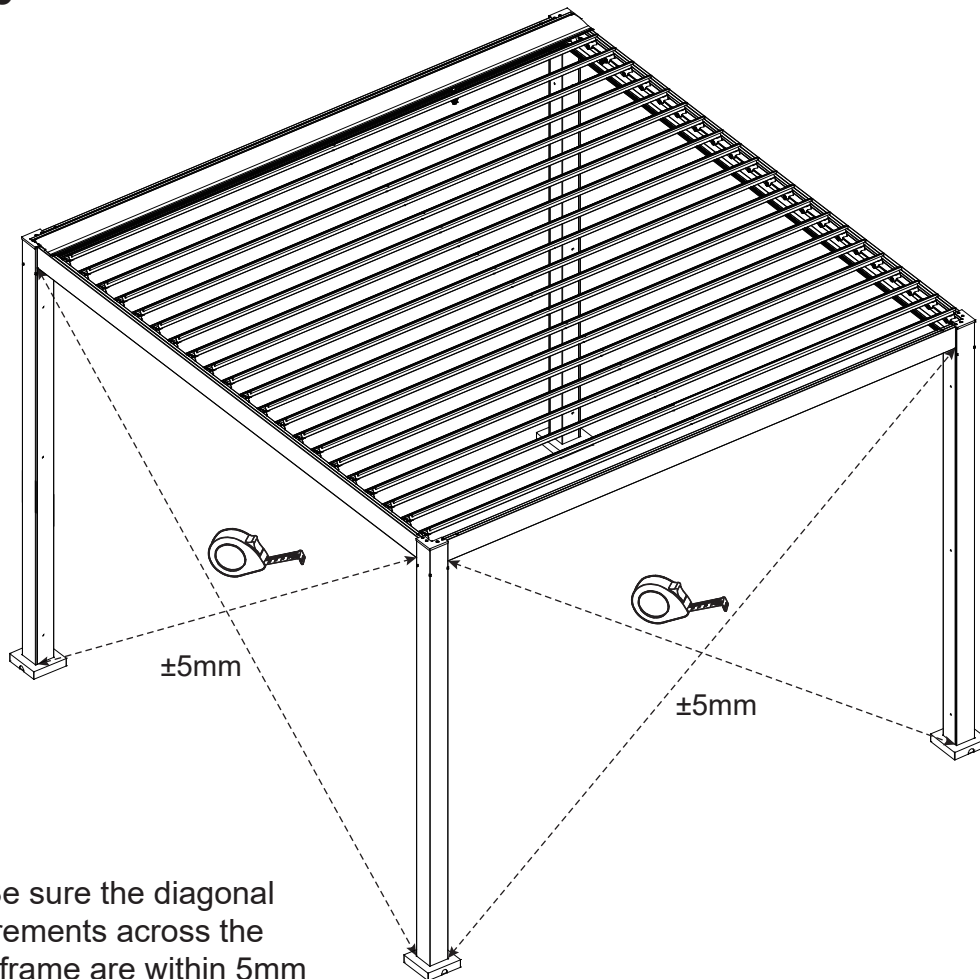
8. Connect the remaining Louver (G) and the Lintels (D/E) one by one, and fix them by using Bolts (DD). See Figure 8.

Step 9



9. Connect the Cover Plate (F) with the Lintel (D/E), fix them with the Bolts (AA/BB) and the Washers (HH). See Figure 9.

Step 10



Note: Be sure the diagonal measurements across the overall frame are within 5mm of the same distance after completing this step.

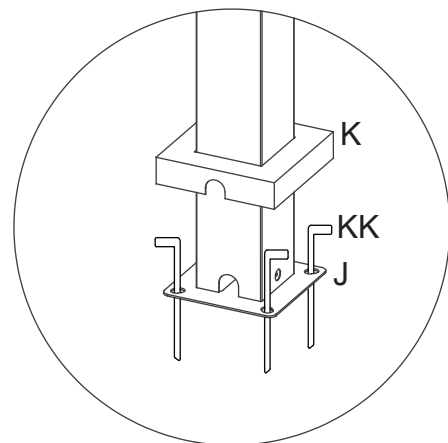


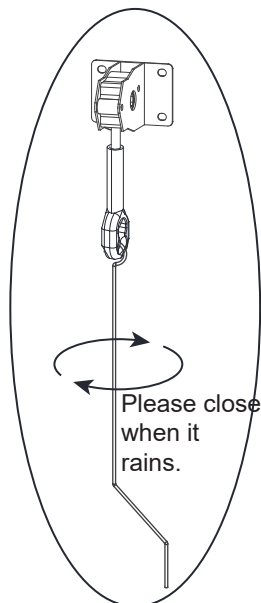
Figure 10

10. Insert Stakes (KK) through the holes in the Base Plate (J) and into the ground to secure the gazebo. See Figure. 10.

Warm Tips:

Please close the louvers when it rains.

Note: Please open the louver slats slowly to prevent the residual rain water from splashing when rain stopped.





**For any queries or assistance call Customer Service
Australia Only - 1300 305 616**

- **Hours of operation: Monday to Friday 8am-5pm EST**
- **Do not return to place of purchase.**

**Keep your purchase receipt, this will be required to make
any claims under the 2 years warranty**



1300 305 616

hello@grillkingbbqs.au
www.grillkingbbqs.au

- 
- Gold Coast Showroom & Warehouse
Unit 7/604 Pine Ridge Rd, Coombcbah QLD 4216. Australia
- Gold Coast Showroom
Carseldine Homemaker Centre
Shop 4.4, 1925 Gympie Road Bald Hills QLD 4034. Australia
- Deer Park Showroom
25 Zaccra Ct, Deer Park VIC 3023, Australia
- Melbourne Brighton Showroom
501-503 Nepean Highway, Brighton East 3187, Australia
- North Parramatta Showroom
6/562 Church St. North Parramatta NSW 2151, Australia
- Brookvale NSW Store
17 Carter Road, Brookvale NSW 2100, Australia

GRILL KING OUTDOOR BBQ KITCHENS PTY LTD