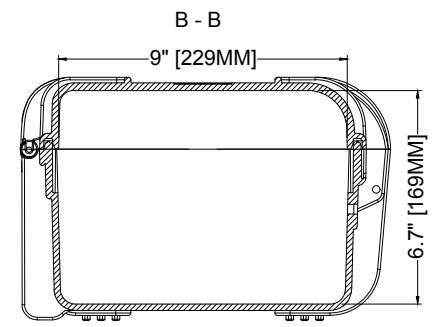
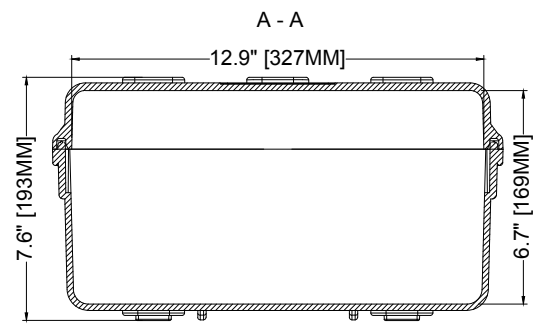
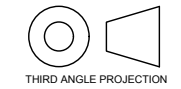


↑ EXTERNAL VIEW ↑
↓ INTERNAL VIEW ↓



VERSION HISTORY	
#	DATE
5.00	19-SEP-18
	NOTES
	ORIGINAL



TITLE: **POLYPROOF 9L**
SHEET: **OVERVIEW**
FIASCOCASES.COM

DATE: **19-SEP-18**
DESIGNED: **ASH ALGIE**
PROJECT MANAGER: **JOE BRADFORD**

SCALE	1:6
PAPER	A4
FILE	POLYPROOF 9L.dwg
PLOT	05/11/2019 12:12 PM
SHEET	1 OF 2

VERSION

