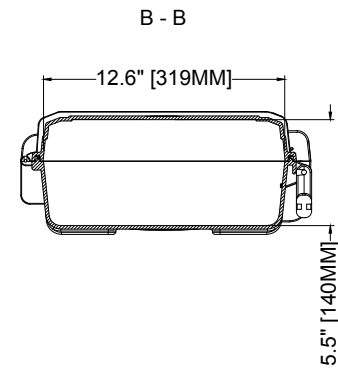
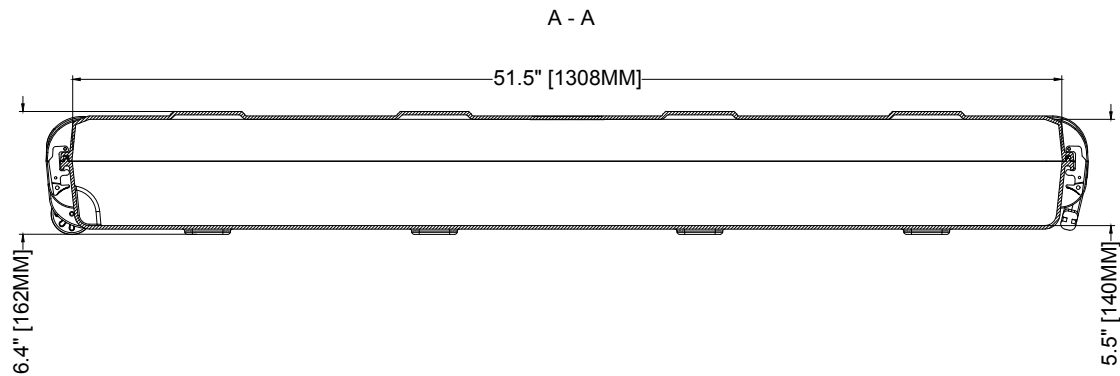
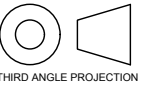


↑ EXTERNAL VIEW ↑  
↓ INTERNAL VIEW ↓



VERSION HISTORY	
#	DATE
5.00	04-OCT-18
	ORIGINAL



TITLE  
**POLYPROOF 1308i**

SHEET  
**OVERVIEW**

**FIASCOCASES.COM**

DATE  
**04-OCT-18**

DESIGNED  
**ASH ALGIE**

PROJECT MANAGER  
**JOE BRADFORD**

SCALE | 1:10  
PAPER | A4  
FILE | POLYPROOF 1308i.dwg  
PLOT | 05/11/2019 12:20 PM  
SHEET | 1 OF 2

VERSION

5.00