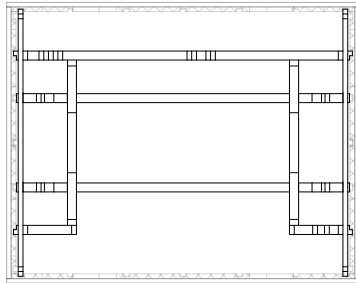
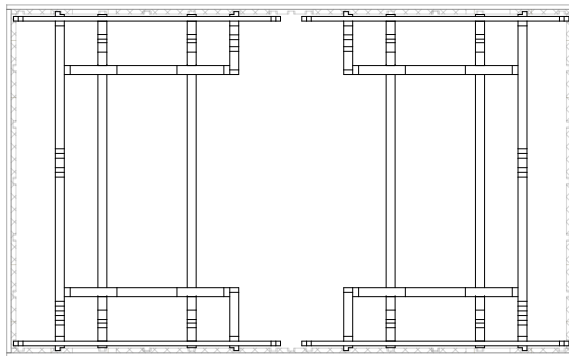


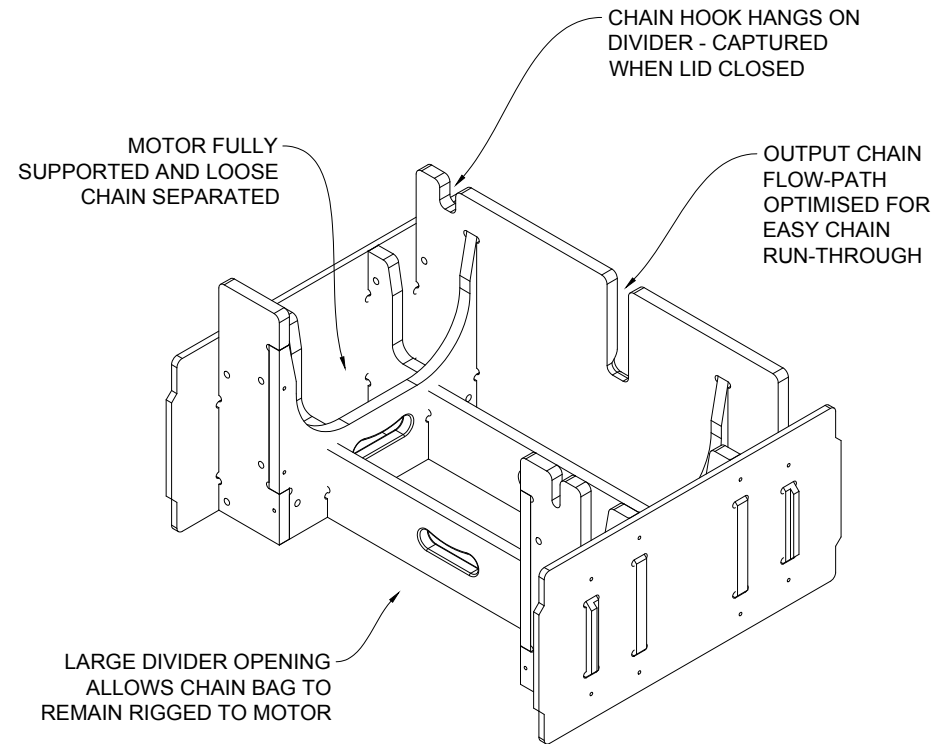
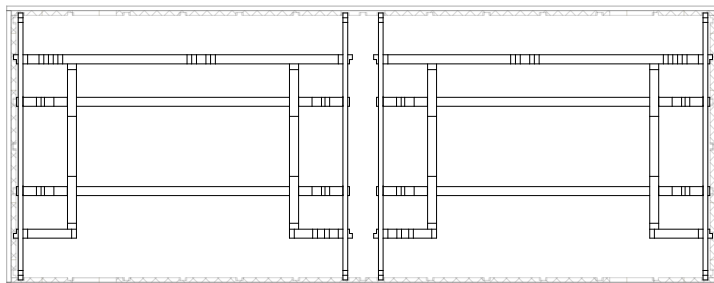
ONE INSERT INSTALLED IN 24 X 30 SHORT CASE



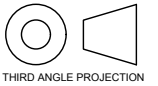
TWO INSERTS INSTALLED IN 48 X 30 SHORT CASE



TWO INSERTS INSTALLED IN 24 X 60 SHORT CASE



VERSION HISTORY	NOTES
#	DATE
5.00	01-JUN-17
	ORIGINAL



TITLE
MOTOR INSERTS

SHEET
OVERVIEW

FIASCOCASES.COM

DATE
01-JUN-17

DESIGNED
MARTIN KAUBITZSCH

PROJECT MANAGER
JOE BRADFORD

SCALE | 1:10
PAPER | A4
FILE | MOTOR INSERTS A4.dwg
PLOT | 05/11/2019 11:53 AM
SHEET | 1 OF 1

VERSION

