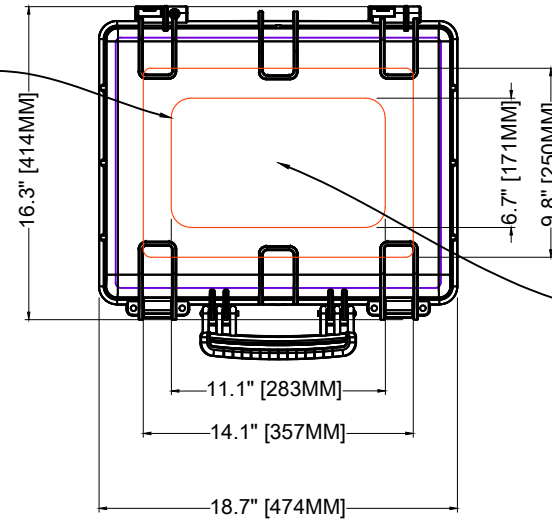


THIS INSERT IS COMPATIBLE IN FOOTPRINTS:  
18LITRE POLY PROOF

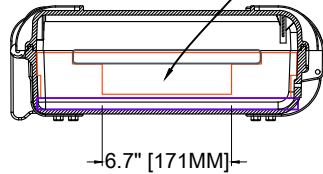
CUSTOM CNC MACHINED  
FOAM TO  
FIT THE FORM FACTOR  
OF THE MACBOOK PRO.  
OTHER LAPTOP TYPES  
ALSO AVAILABLE.



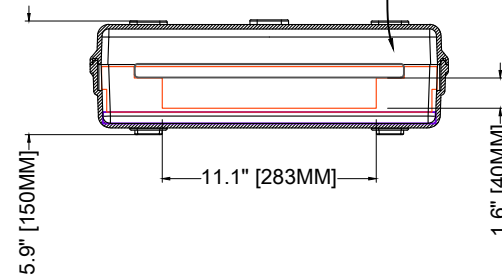
FEATURES:

- WATERTIGHT.
- SHOCK PROOF.
- DUSTPROOF.
- COMFORTABLE RUBBER HANDLE.
- AIRPRESSURE EQUALISING VALVE.

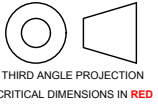
ACCESSORIES POCKET



EGG SHELL FOAM TOP HOLD DOWN



VERSION HISTORY	NOTES
#	DATE
5.01	27/09/23
BROUGHT INTO THE NEW TEMPLATE	



TITLE  
**POLYPROOF 18L INSERT MACBOOK PRO 16**

SHEET  
**PRODUCT SPEC SHEET**

DATE  
19-OCT-23

DESIGNED  
DANIEL JOBLIN

CUSTOMER PROJECT MANAGER  
NICK REEVES

SCALE | 1:10  
PAPER | A4  
FILE | POLYPROOF 18L INSERT MACBOOK  
PLOT | 19/10/2023 12:13 PM  
SHEET | 1 OF 1

VERSION



PHONE: (323) 528-2430  
EMAIL: SALES@FIASCOCASES.COM