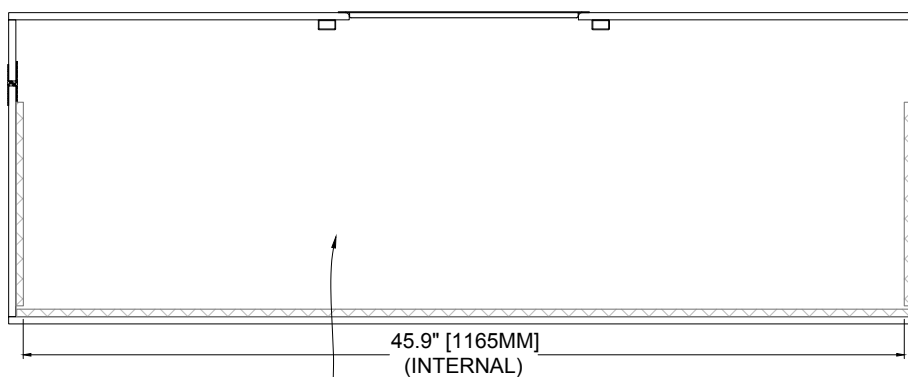
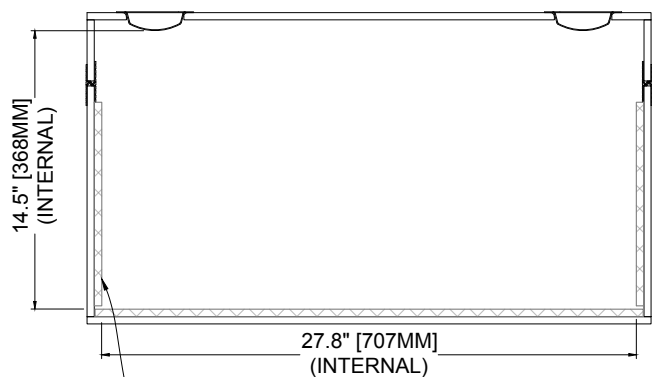


↑ EXTERNAL VIEW ↑  
↓ INTERNAL VIEW ↓



INTERNAL CAPACITY: 10.7FT<sup>3</sup> [303L]  
SHIPPING VOLUME: 19FT<sup>3</sup> [0.53M<sup>3</sup>]  
WEIGHT: 122LB [55.3KG]

VERSION HISTORY	
#	DATE
5.00	12-JUL-19
	ORIGINAL



TITLE  
**48 X 30 SHORT CASE**

SHEET  
**OVERVIEW**

**FIASCOCASES.COM**

DATE  
12-JUL-19

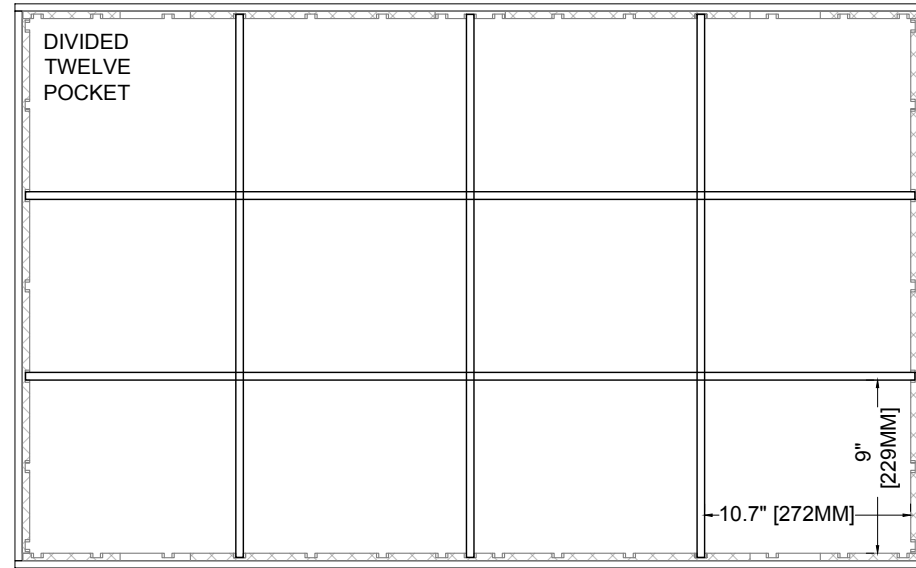
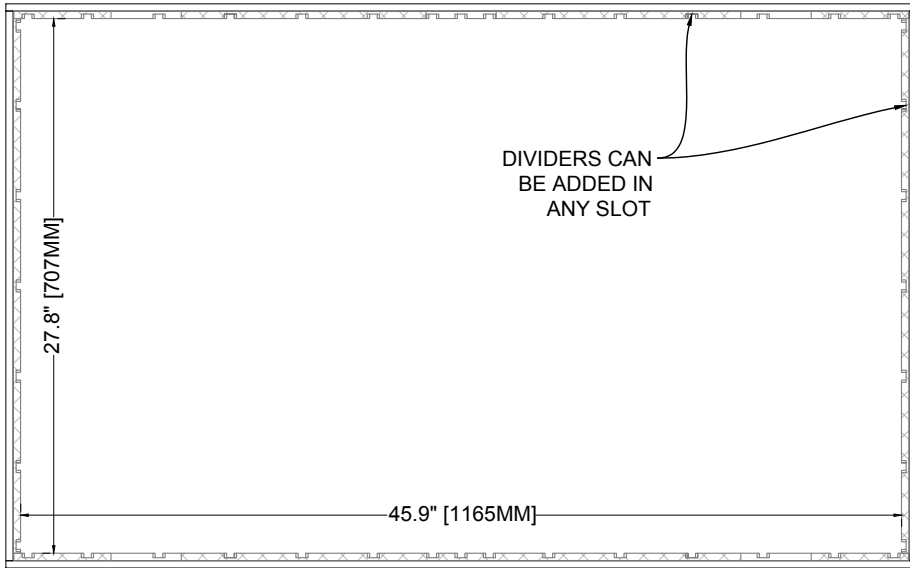
DESIGNED  
ASH ALGIE

PROJECT MANAGER  
MATT WATERHOUSE

SCALE | 1:10  
PAPER | A4  
FILE | 48 X 30 SHORT CASE V5.00.dwg  
PLOT | 15/11/2019 03:24 PM  
SHEET | 1 OF 2

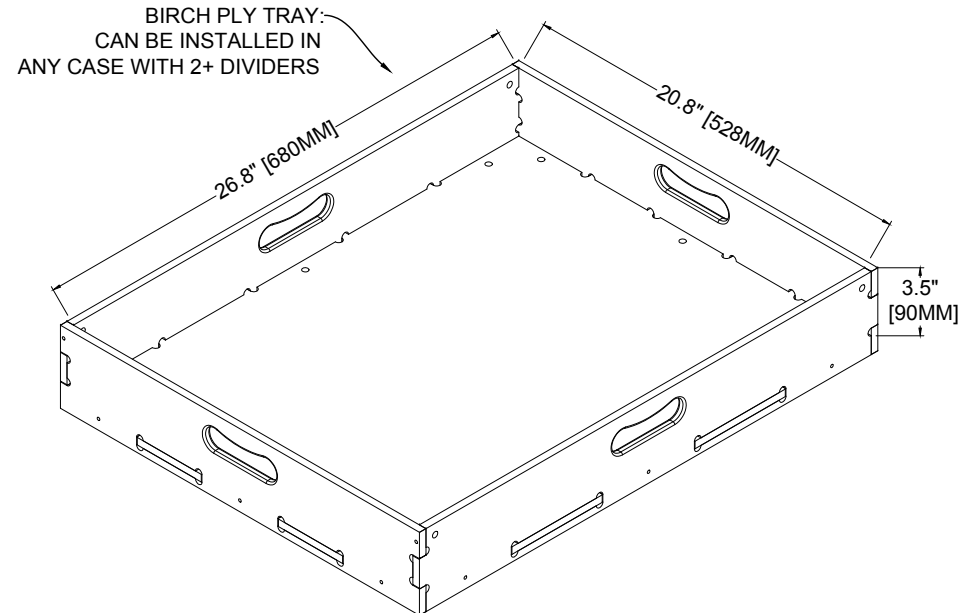
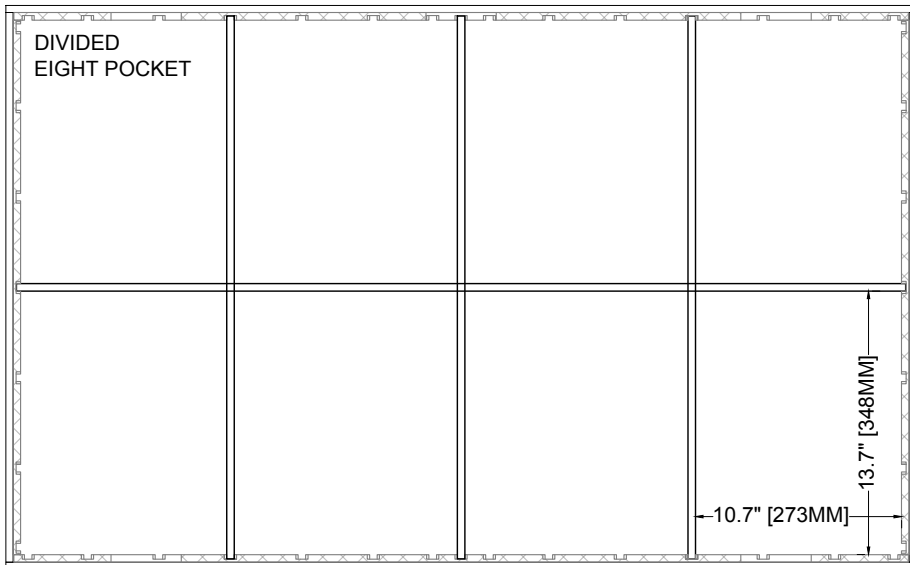
VERSION



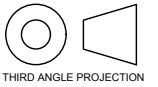


FIASCO BIRCH PLY INTERLOCK DIVIDERS:  
 INTERGRATED SLOTS IN THE CASE ALLOW FOR UP TO:  
 5 CROSSWAY DIVIDERS.  
 5 LONGWAY DIVIDERS.

DIVIDERS CAN BE RAPIDLY CONFIGURED TO SUIT ANY APPLICATION.



VERSION HISTORY	NOTES
#	DATE
5.00	12-JUL-19
	ORIGINAL



TITLE  
**48 X 30 SHORT CASE**

SHEET  
**FIASCO INTERLOCK DIVIDERS**

FIASCOINTERLOCKDIVIDERS  
 FIASCOCASES.COM

DATE  
 12-JUL-19

DESIGNED  
 ASH ALGIE

PROJECT MANAGER  
 MATT WATERHOUSE

SCALE | 1:10  
 PAPER | A4  
 FILE | 48 X 30 SHORT CASE V5.00.dwg  
 PLOT | 15/11/2019 03:24 PM  
 SHEET | 2 OF 2

VERSION

