

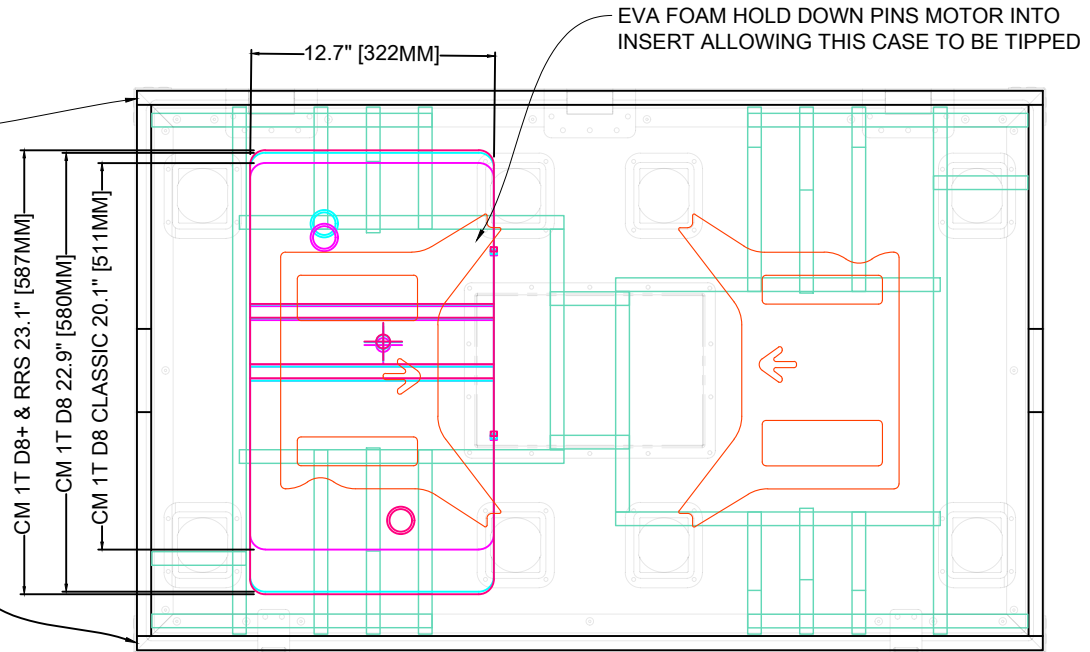
THIS INSERT IS COMPATIBLE IN FOOTPRINTS:
 24 X 30
 48 X 30



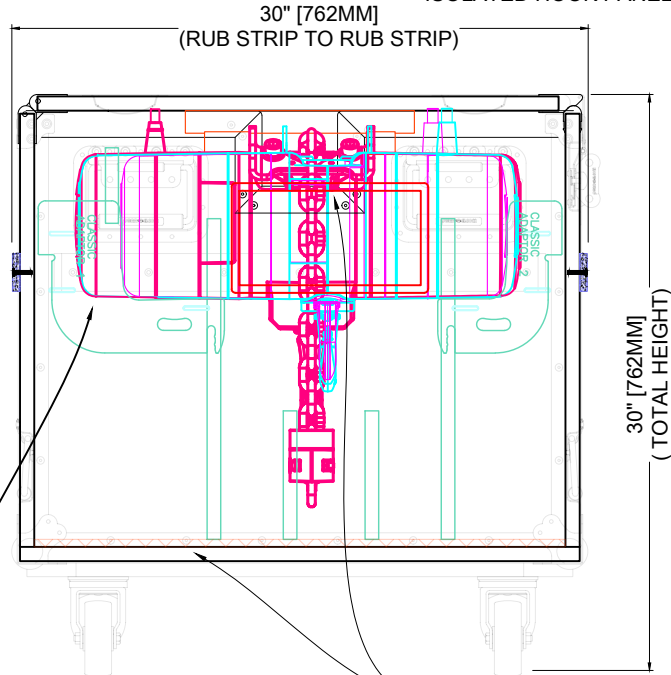
CHEMICAL RESISTANT RESIN
 IMPREGNATED 3/4" BIRCH PLY
 WITH BLACK HEX PATTERN

THIS INSERT IS DESIGNED FOR CM1T MOTORS:
CLASSIC - WITH ADAPTORS INSTALLED
D8 WITHOUT ADAPTORS
D8+ WITHOUT ADAPTORS
RRS WITHOUT ADAPTORS

VIEW LOOKING INTO CLOSED LID



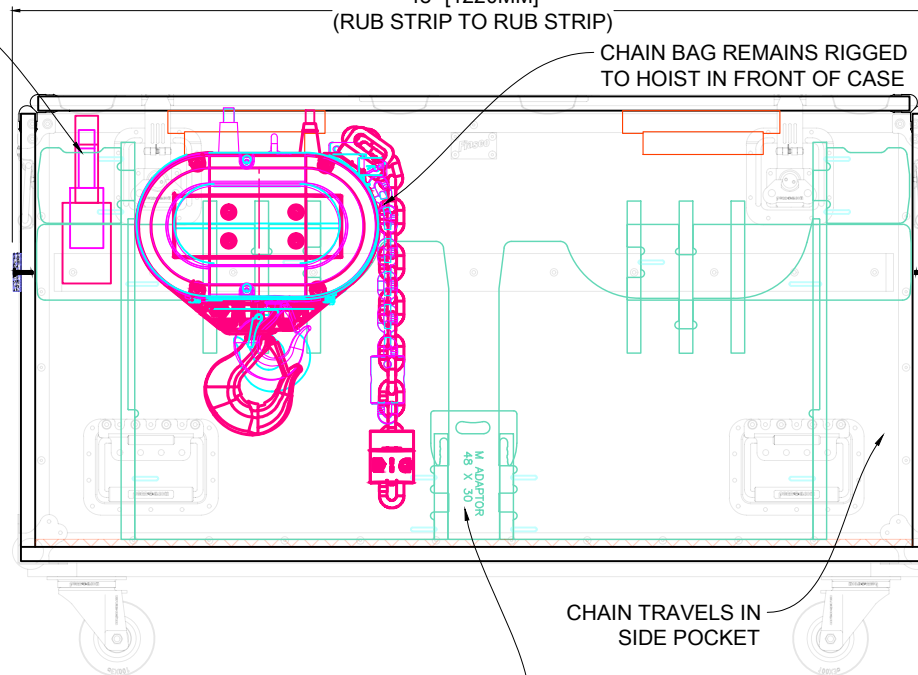
CHAIN HOOK STORES ON
 ISOLATED HOOK PANEL



CM1T CLASSIC ADAPTORS:
 REMOVE FOR CM1T D8, D8+ AND RRS

A COMBINATION OF CABLE CUTOUTS
 AND DRAINAGE HOLES PROVIDE
 VENTILATION, REDUCING CORROSION
 OF MOTORS

48" [1220MM]
 (RUB STRIP TO RUB STRIP)

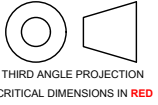


M ADAPTOR FOR 48 X 30 CASE
 USE BOTH M ADAPTORS TO CONJOIN
 INSERTS IN CASE

PHONE: (323) 528-2430

EMAIL: SALES@FIASCOCASES.COM

VERSION HISTORY	NOTES
#	DATE
5.01	21-11-23
DESIGNED AND VALIDATED	



TITLE
48 X 30 CADILLAC MOTOR INSERT
CM1T OR 2T V5.01

SHEET
PRODUCT SPEC SHEET

DATE
 21-NOV-23

DESIGNED
 RYAN HORRELL

CUSTOMER PROJECT MANAGER
 NICK REEVES

SCALE 1:10
 PAPER A4
 FILE 24 X 30 CADILLAC MOTOR INSERT
 PLOT 23/01/2024 03:13 PM
 SHEET 1 OF 1

VERSION

