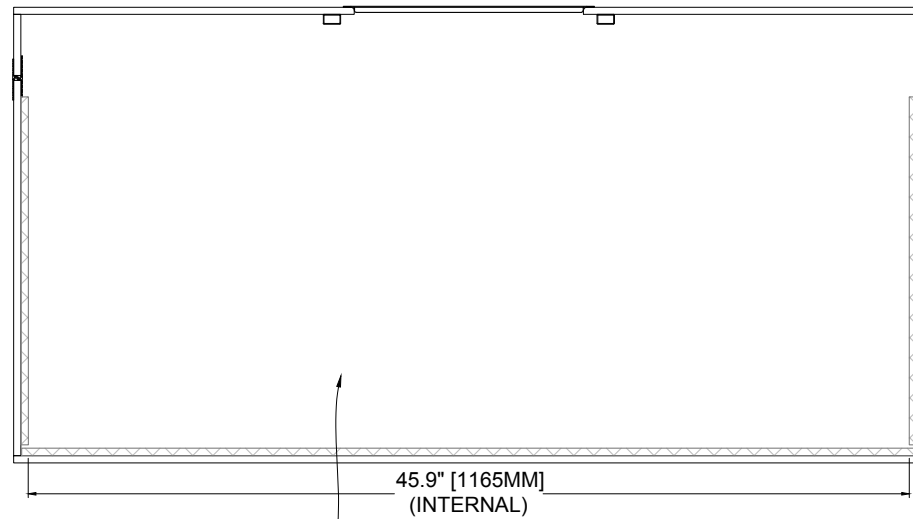
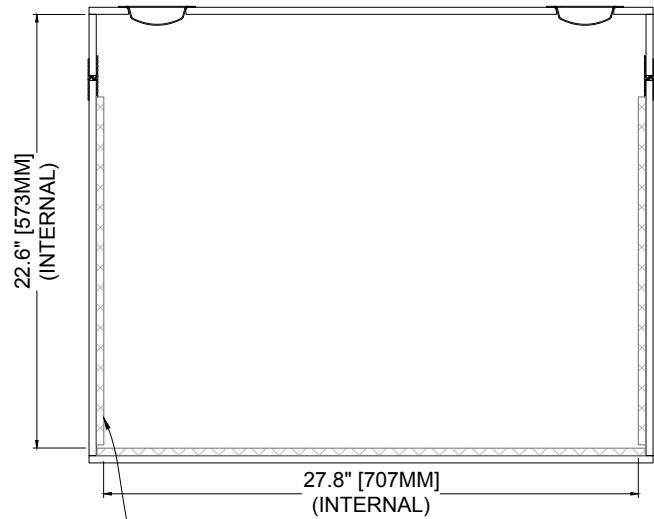
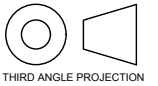


↑ EXTERNAL VIEW ↓
↓ INTERNAL VIEW ↑



INTERNAL CAPACITY: 16.7FT³ [472L]
SHIPPING VOLUME: 25FT³ [0.71M³]
WEIGHT: 135LB [61.2KG]

VERSION HISTORY	
#	DATE
5.00	06-DEC-17
	ORIGINAL



TITLE
48 X 30 CASE

SHEET
OVERVIEW

FIASCOCASES.COM

DATE
06-DEC-17

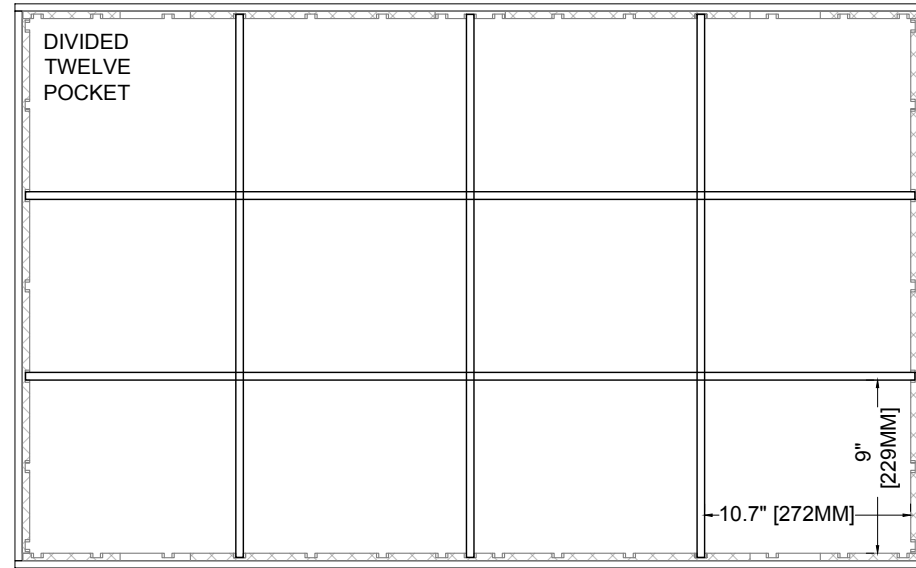
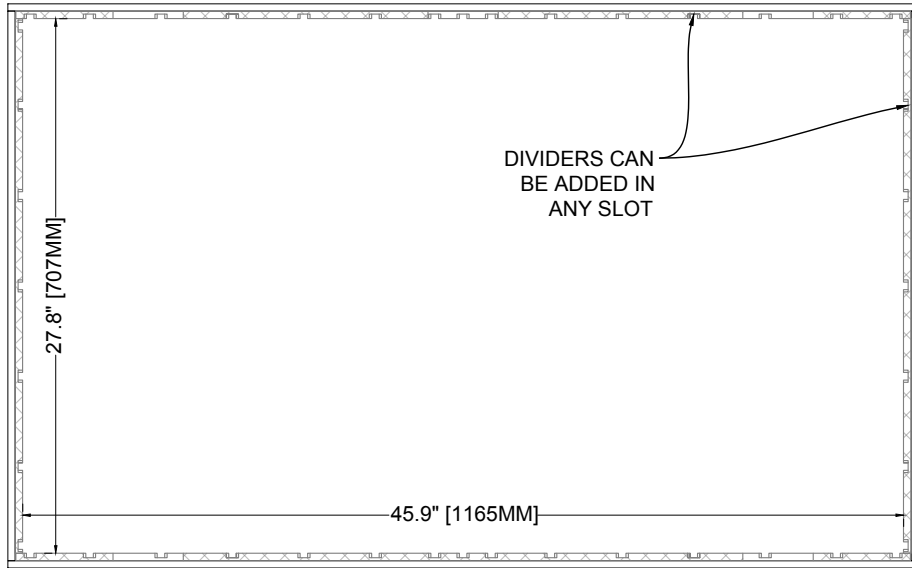
DESIGNED
MARTIN KAUBITZSCH

PROJECT MANAGER
JOE BRADFORD

SCALE	1:10
PAPER	A4
FILE	48 X 30 CASE V5.00.dwg
PLOT	04/11/2019 12:10 PM
SHEET	1 OF 2

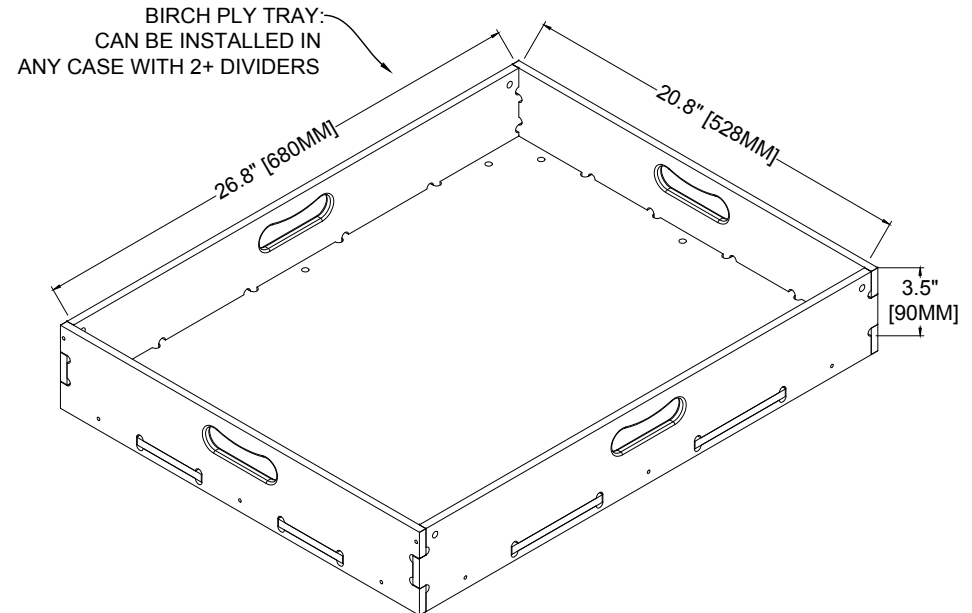
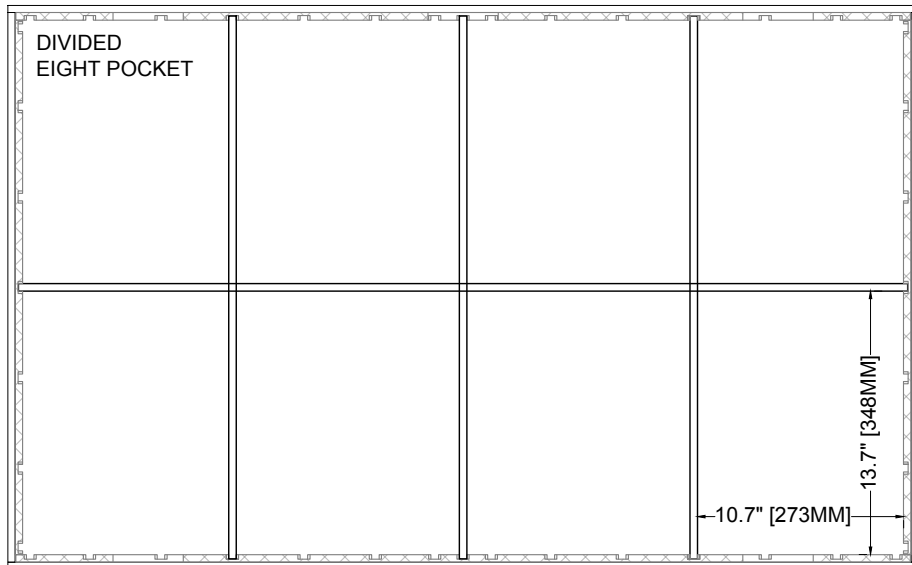
VERSION



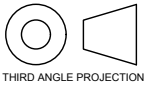


FIASCO BIRCH PLY INTERLOCK DIVIDERS:
 INTEGRATED SLOTS IN THE CASE ALLOW FOR UP TO:
 5 CROSSWAY DIVIDERS.
 5 LONGWAY DIVIDERS.

DIVIDERS CAN BE RAPIDLY CONFIGURED TO SUIT
 ANY APPLICATION.



VERSION HISTORY	
#	DATE
5.00	06-DEC-17
	ORIGINAL



TITLE
48 X 30 CASE

SHEET
FIASCO INTERLOCK DIVIDERS

FIASCOINTERLOCKDIVIDERS

FIASCOCASES.COM

DATE
06-DEC-17

DESIGNED
MARTIN KAUBITZSCH

PROJECT MANAGER
JOE BRADFORD

SCALE | 1:10
 PAPER | A4
 FILE | 48 X 30 CASE V5.00.dwg
 PLOT | 04/11/2019 12:09 PM
 SHEET | 2 OF 2

VERSION

