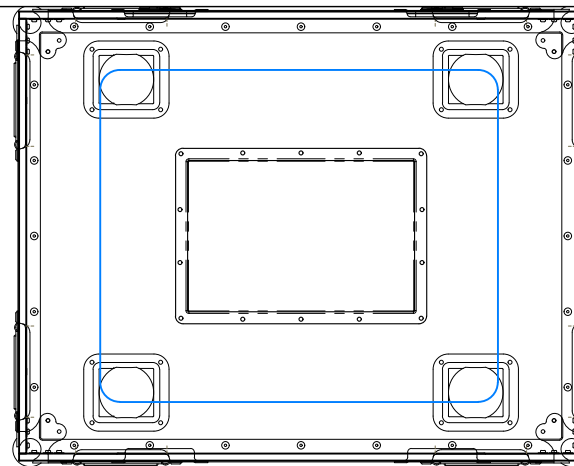


**DESIGNED TO FIT:**

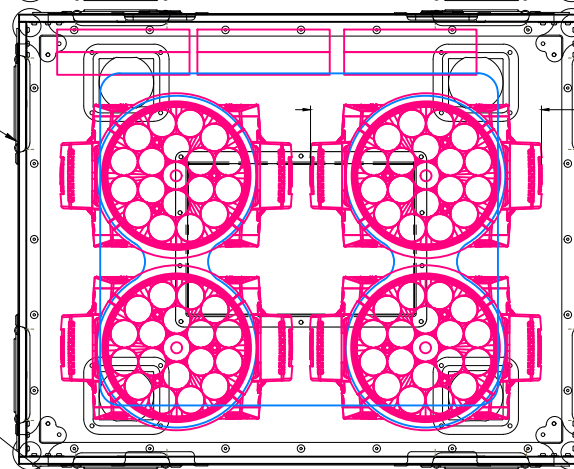
24 X 30 SHORT CASE (1 INSERT + 4UP)  
48 X 30 SHORT CASE (2 INSERTS + 8UP)

**COMPATIBLE LX MODELS:**

CHAUVET ROGUE R2 WASH  
CHAUVET ROGUE R2 X

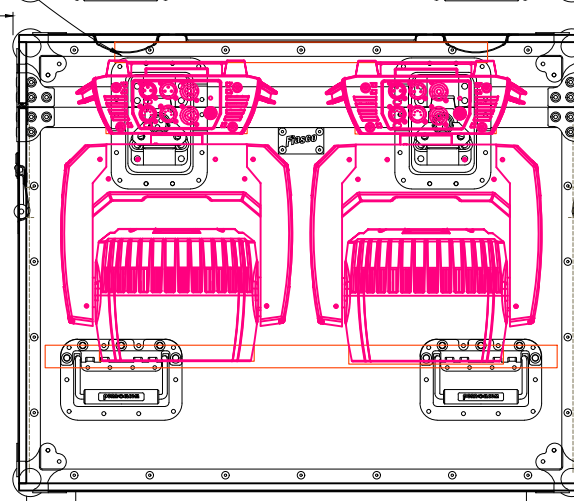


CHEMICAL RESISTANT RESIN  
IMPREGNATED 3/8" BIRCH PLY  
WITH BLACK HEX PATTERN



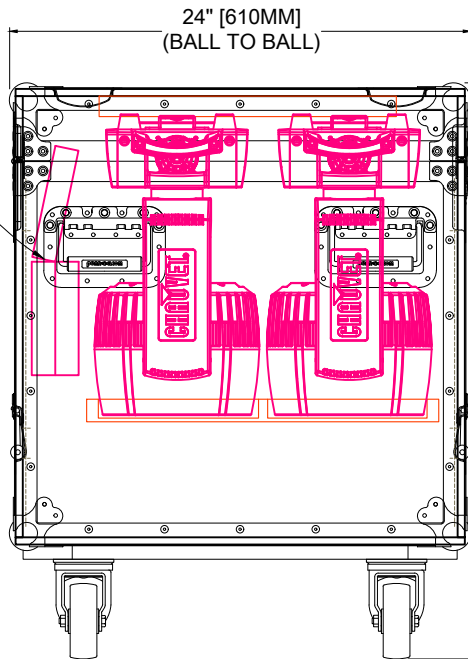
12" [305MM]  
(WIDTH OF FIXTURE)

CUSTOM MACHINED HOLD DOWN FOAM PINS FIXTURES  
INTO INSERT ALLOWING THE CASE TO BE TIPPED



30" [762MM]  
(BALL TO BALL)

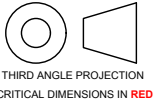
ISOLATED POCKET FOR  
CLAMPS



24" [610MM]  
(BALL TO BALL)

30" [762MM]  
(BALL TO FLOOR)

VERSION HISTORY	NOTES
#	DATE
5.01	27-07-23
DESIGNED AND VALIDATED WITH FIXTURE IN NZ.	



THIRD ANGLE PROJECTION  
CRITICAL DIMENSIONS IN RED

**24 X 30 INSERT LX CHAUVET ROGUE  
R2 WASH AND X 4UP V5.01**

**PRODUCT SPEC SHEET USA**

DATE  
7-SEP-23

DESIGNED  
RYAN HORRELL

CUSTOMER PROJECT MANAGER  
NICK REEVES

SCALE | 1:10  
PAPER | A4  
FILE | 24 X 30 INSERT LX CHAUVET ROGUE  
PLOT | 07/09/2023 04 : 54 PM  
SHEET | 1 OF 1

VERSION

