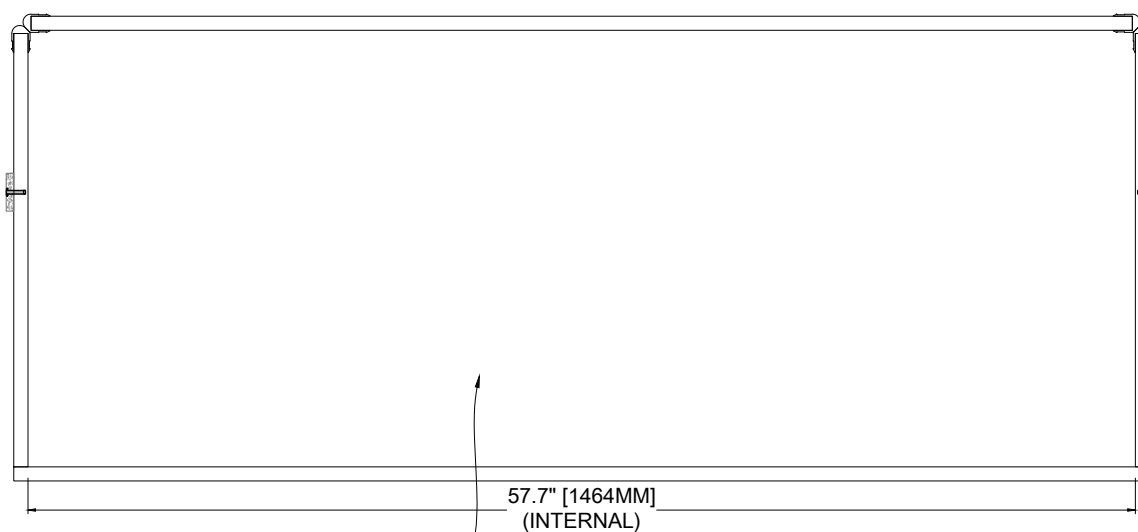
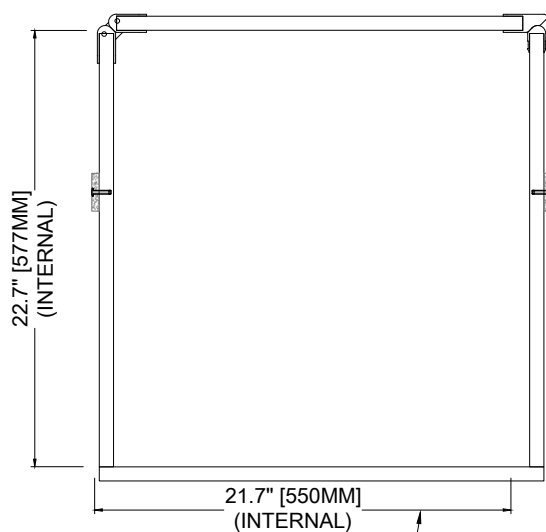
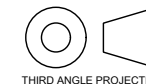


↑ EXTERNAL VIEW ↑
↓ INTERNAL VIEW ↓



VERSION HISTORY	
#	DATE
5.01	28-OCT-23
5.1	21-NOV-23

NOTES
ORIGINAL VERSION UPDATE IN LINE WITH 10MM AUTO CASTOR RANGE



TITLE
24 X 60 CADILLAC CASE

SHEET
PRODUCT SPEC SHEET

FIASCO CASES.COM

DATE
21 NOV 23

DESIGNED
ASH ALGIE

PROJECT MANAGER
JOE BRADFORD

SCALE | 1:10
PAPER | A4
FILE | 24 X 60 CADILLAC CASE V5.1.dwg
PLOT | 21/11/2023 12:23 PM
SHEET | 1 OF 1

VERSION

