

VERSION HISTORY

#	DATE	NOTES
5.01	05-JAN-23	ORIGINAL
5.02	31-JAN-23	CABLE CUTOUT ADDED
5.1	31-OCT-23	CUSTOMERS TO 16MM



THIRD ANGLE PROJECTION

TITLE
24 X 30 TALL CADILLAC CASE

SHEET
PRODUCT SPEC SHEET

FIASCOCASES.COM

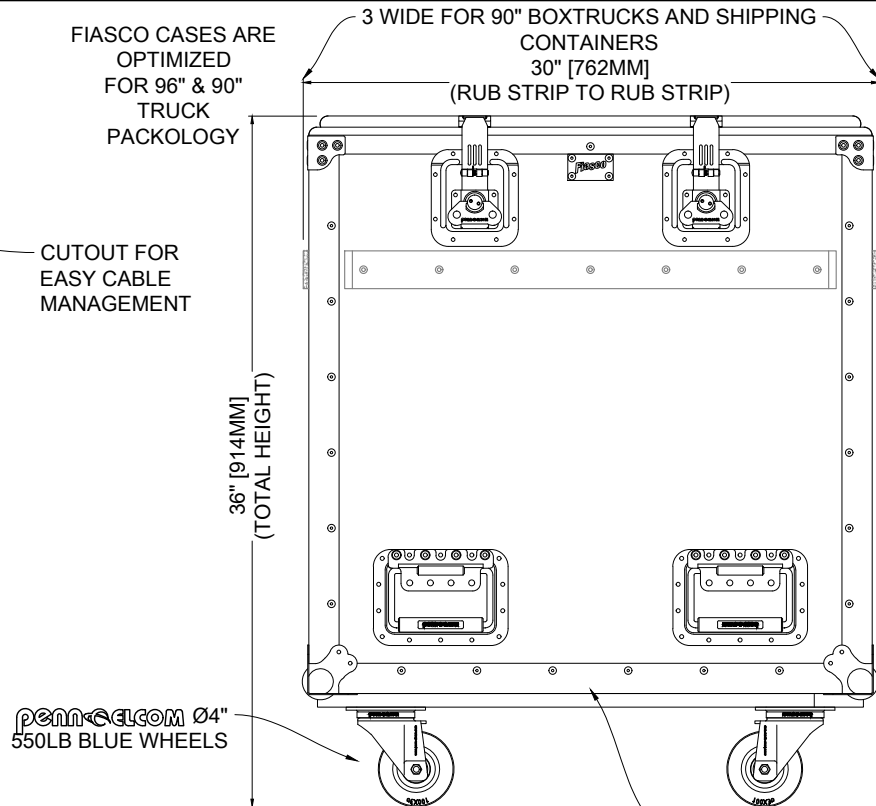
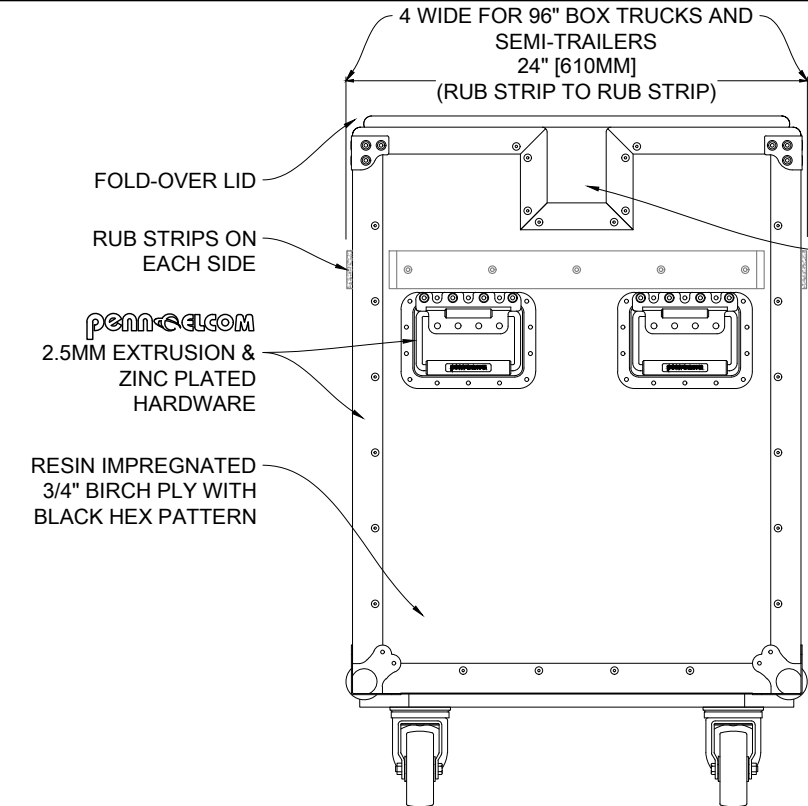
DATE
31-OCT-23

DESIGNED
ASH ALGIE

PROJECT MANAGER
JOE BRADFORD

SCALE | 1:10
PAPER | A4
FILE | 24 X 30 TALL CADILLAC CASE.VS
PLOT | 21/11/2023 10:02 AM
SHEET | 1 OF 1

VERSION



INTERNAL CAPACITY: 9.6 FT³ [272 L]
SHIPPING VOLUME: 15 FT³ [0.425 M³]
WEIGHT: **TBC** LB [TBC KG]

↑ EXTERNAL VIEW ↑
↓ INTERNAL VIEW ↓

