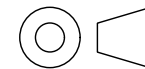


VERSION HISTORY	
#	DATE
5.00	12-JUL-19
	NOTES
	ORIGINAL



THIRD ANGLE PROJECTION

TITLE
24 X 30 SEVEN DRAWERS CASE

SHEET
EXTERNAL OVERVIEW

FIASCOCASES.COM

DATE
4-MAR-20

DESIGNED
MATT WATERHOUSE

PROJECT MANAGER
JOE BRADFORD

SCALE | 1:12
PAPER | A4
FILE | 24 X 30 DRAWERS CABINET
PLOT | V5.00.dwg
SHEET | 04/03/2020 12 : 28 PM
OF

VERSION



FIASCO CASES ARE OPTIMIZED FOR 96" & 90" TRUCK PACKOLOGY:

3 WIDE FOR 90" BOX TRUCKS AND SHIPPING CONTAINERS

30" [762MM]
(BALL TO BALL)

4 WIDE FOR 96" BOX TRUCKS AND SEMI-TRAILERS

24" [610MM]
(BALL TO BALL)

penn-elcom
2MM EXTRUSION &
ZINC PLATED HARDWARE

SHIPPING VOLUME: 22FT³ [0.62M³]
WEIGHT: 176LB [80KG]

RESIN IMPREGNATED
3/8" BIRCH PLY WITH BLACK
HEX PATTERN

REMOVABLE DOOR
CONVERTS TO TABLE

5/8" BIRCH PLY WHEEL-BOARD
WITH FINGER CUT-OUTS FOR
LOW LIFTING

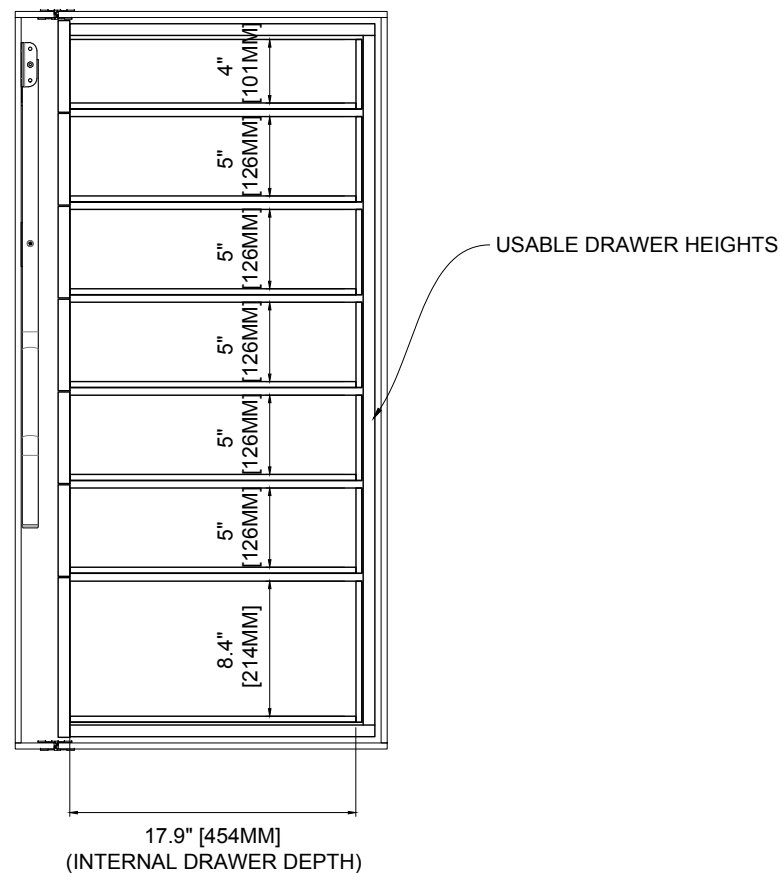
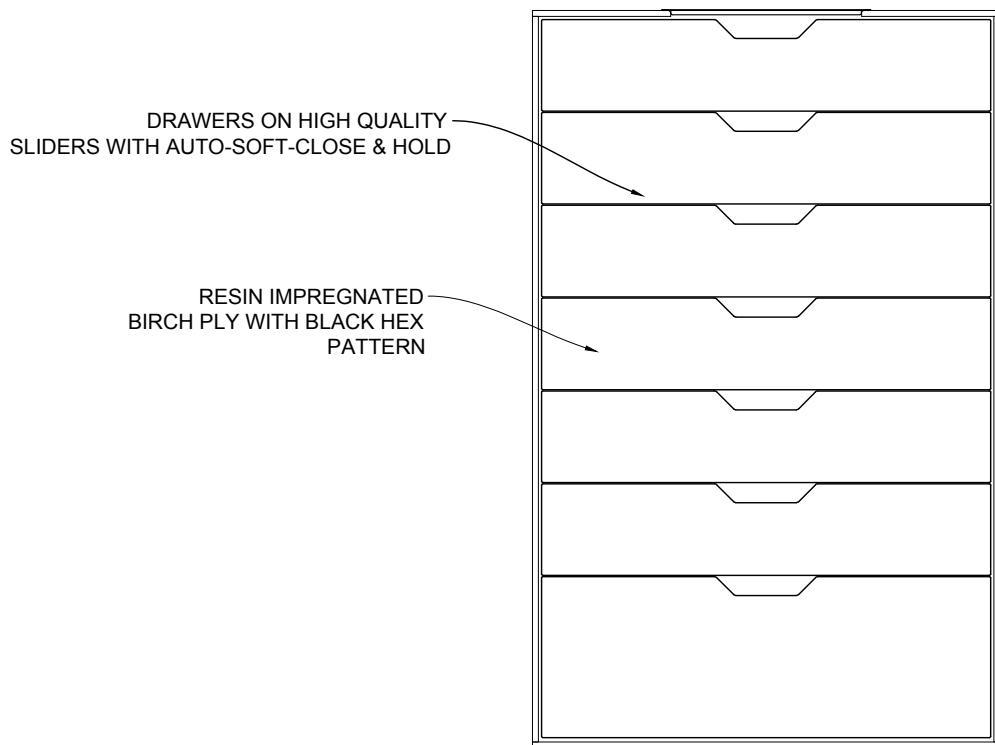
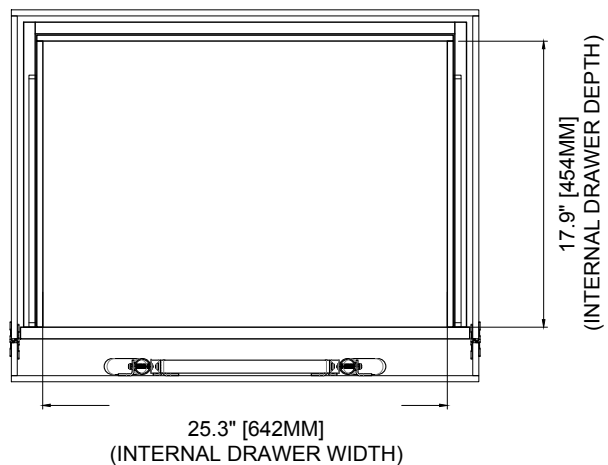
AUTO WHEELS ROTATE WHEN
LIFTED FOR SIMPLE STACKING

penn-elcom
550LB AUTO
BLUE WHEELS

VERSION HISTORY	NOTES
#	DATE
5.00	12-JUL-19
	ORIGINAL



THIRD ANGLE PROJECTION



TITLE
24 X 30 SEVEN DRAWERS CASE

SHEET
INTERNAL OVERVIEW

FIASCOCASES.COM

DATE
4-MAR-20

DESIGNED
MATT WATERHOUSE

PROJECT MANAGER
JOE BRADFORD

SCALE | 1:12
PAPER | A4
FILE | 24 X 30 DRAWERS CABINET
PLOT | V5.00.dwg
SHEET | 04/03/2020 12 : 28 PM
OF

VERSION

5.00