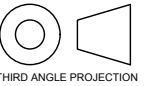


VERSION HISTORY	NOTES
#	DATE
5.00	28-MAY-18
5.00	30-OCT-19
5.01	31-JAN-23

ORIGINAL  
NAME CHANGE  
CABLE CUTOUTS ADDED



TITLE  
**24 X 30 LOW CADILLAC CASE**

SHEET  
**OVERVIEW**

FIASCOCASES.COM

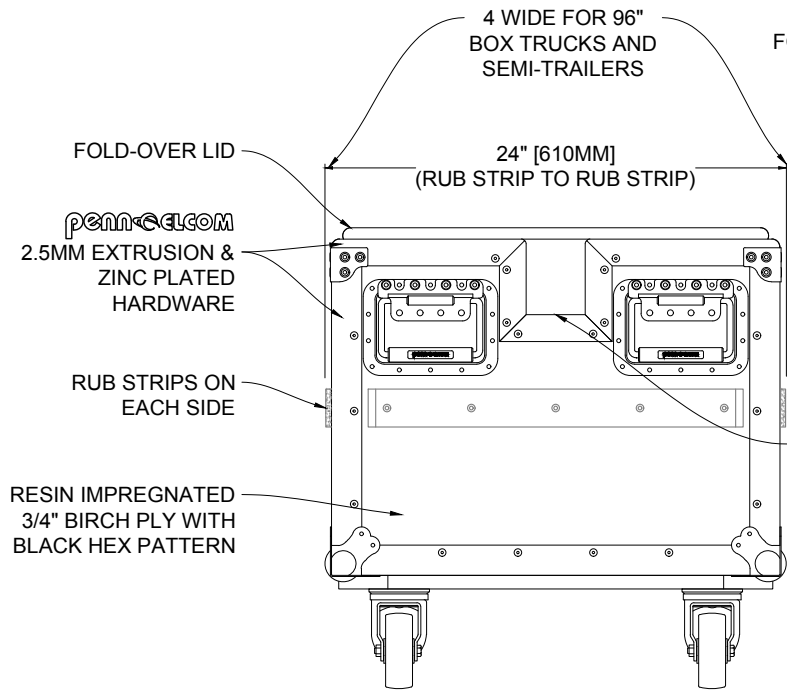
DATE  
**31-JAN-23**

DESIGNED  
**ASH ALGIE**

PROJECT MANAGER  
**JOE BRADFORD**

SCALE 1:10  
PAPER A4  
FILE 24 X 30 LOW CADILLAC CASE  
PLOT V5.01.dwg  
SHEET \$1/01/2023 01 : 34 PM

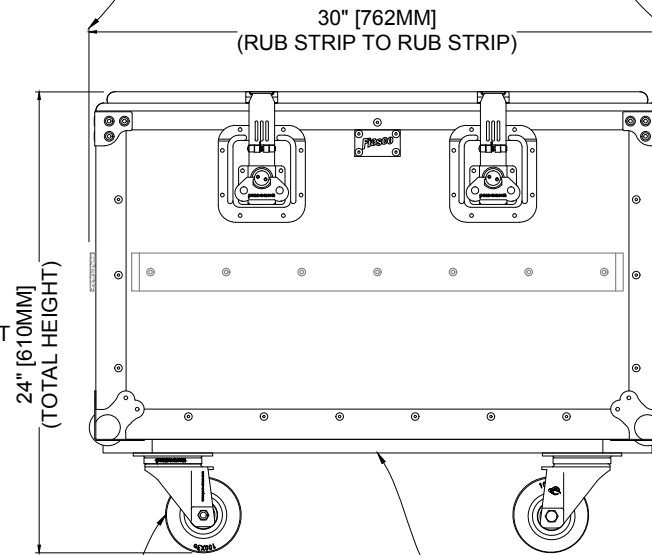
VERSION



↑ EXTERNAL VIEW ↑  
↓ INTERNAL VIEW ↓

FIASCO CASES ARE OPTIMIZED FOR 96" & 90" TRUCK PACKOLOGY

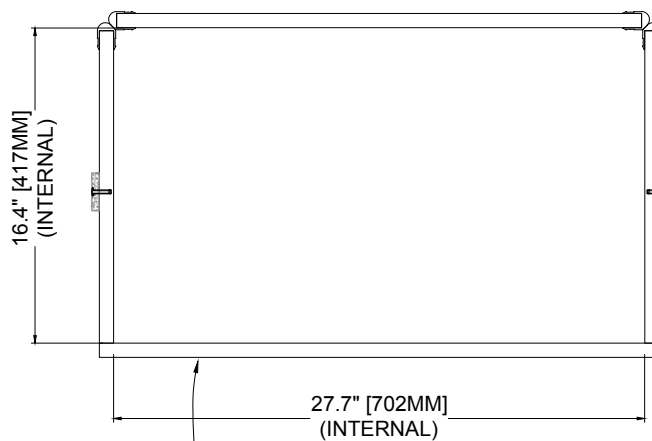
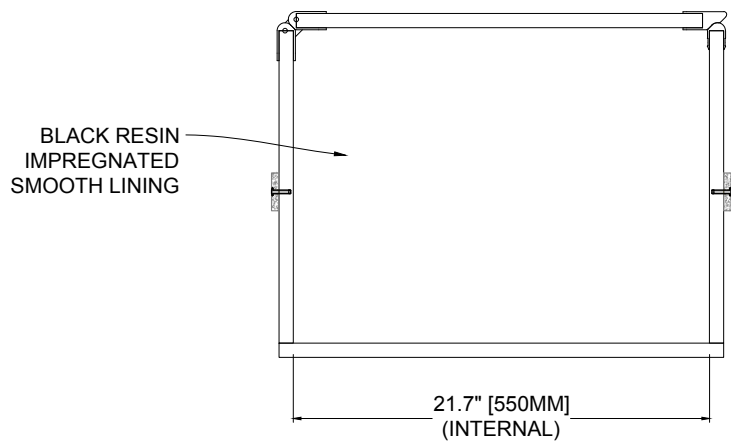
3 WIDE FOR 90" BOX TRUCKS AND SHIPPING CONTAINERS



2.5MM EXTRUSION & ZINC PLATED HARDWARE

550LB AUTO BLUE WHEELS

5/8" BIRCH PLY WHEEL-BOARD WITH FINGER CUT-OUTS FOR LOW LIFTING



INTERNAL CAPACITY: 5.69FT<sup>3</sup> [161L]  
SHIPPING VOLUME: 9.89FT<sup>3</sup> [0.28M<sup>3</sup>]  
WEIGHT: 101LB [46KG]