

THIS INSERT IS COMPATIBLE IN FOOTPRINTS:

24 X 30
48 X 30



CHAIN HOOK STORES ON ISOLATED HOOK PANEL

CHEMICAL RESISTANT RESIN IMPREGNATED 3/4" BIRCH PLY WITH BLACK HEX PATTERN

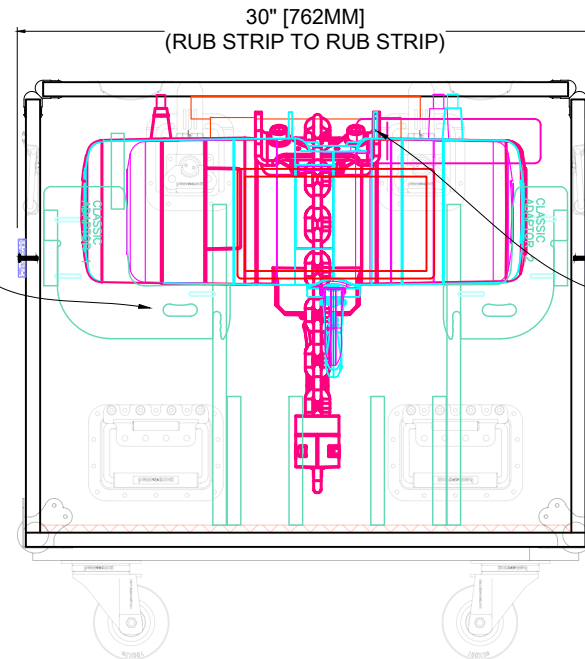
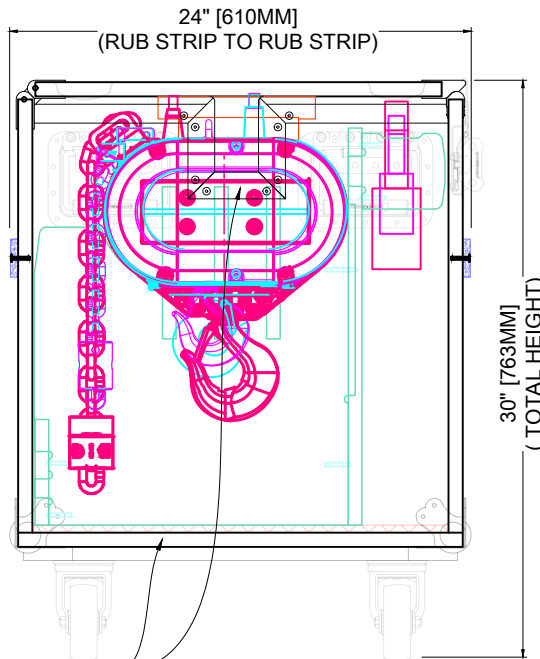
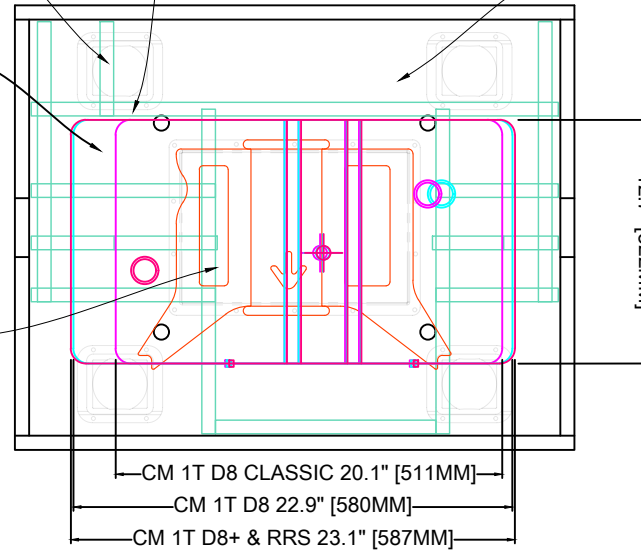
CHAIN TRAVELS IN BACK

VIEW LOOKING INTO CLOSED LID

THIS INSERT IS DESIGNED FOR CM1T MOTORS:
CLASSIC - WITH ADAPTORS INSTALLED
D8 WITHOUT ADAPTORS
D8+ WITHOUT ADAPTORS
RRS WITHOUT ADAPTORS

EVA FOAM HOLD DOWN PINS MOTOR INTO INSERT ALLOWING THIS CASE TO BE TIPPED

CM1T CLASSIC ADAPTORS:
REMOVE FOR CM1T D8, D8+ AND RRS



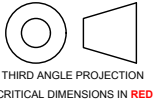
CHAIN BAG REMAINS RIGGED TO HOIST IN FRONT OF CASE

A COMBINATION OF CABLE CUTOUTS AND DRAINAGE HOLES PROVIDE VENTILATION, REDUCING CORROSION OF MOTORS

PHONE: (323) 528-2430

EMAIL: SALES@FIASCOCASES.COM

VERSION HISTORY	NOTES
#	DATE
5.01	21-11-23
DESIGNED AND VALIDATED	



24 X 30 CADILLAC MOTOR INSERT
CM1T OR 2T V5.01
PRODUCT SPEC SHEET

DATE
21-NOV-23

DESIGNED
RYAN HORRELL

CUSTOMER PROJECT MANAGER
NICK REEVES

SCALE | 1:10
PAPER | A4
FILE | 24 X 30 CADILLAC MOTOR INSERT
PLOT | 23/01/2024 03:11 PM
SHEET | 1 OF 1

VERSION

