

VERSION HISTORY	NOTES
#	DATE
5.01	06-DEC-19
5.02	27-JAN-23
5.1	31-OCT-23



TITLE
24 X 30 CADILLAC CASE

SHEET
PRODUCT SPEC SHEET

FIASCOCASES.COM

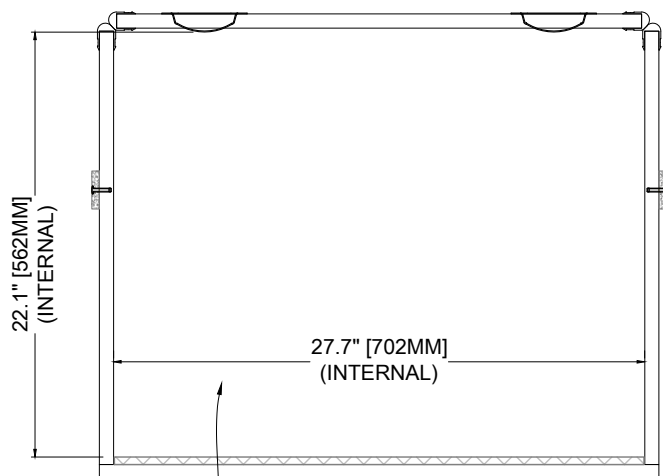
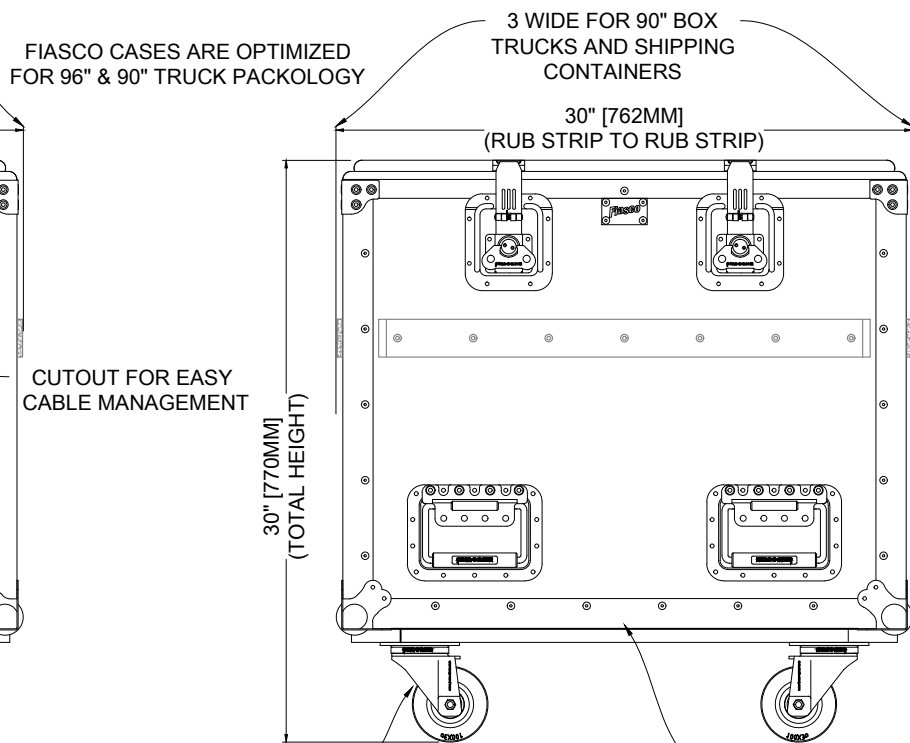
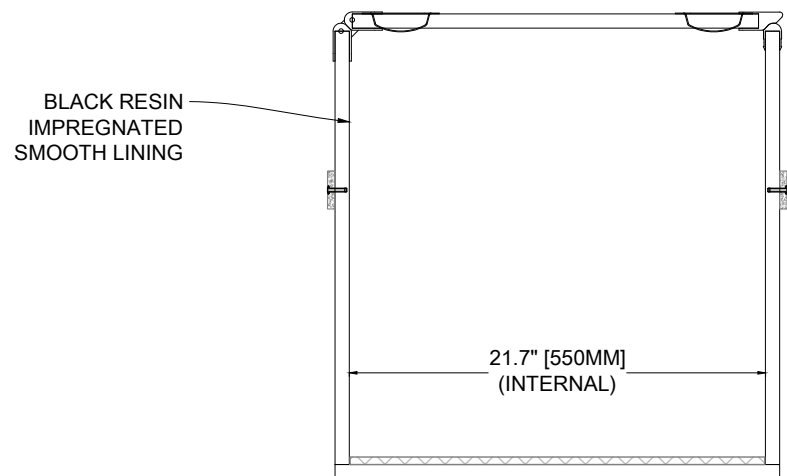
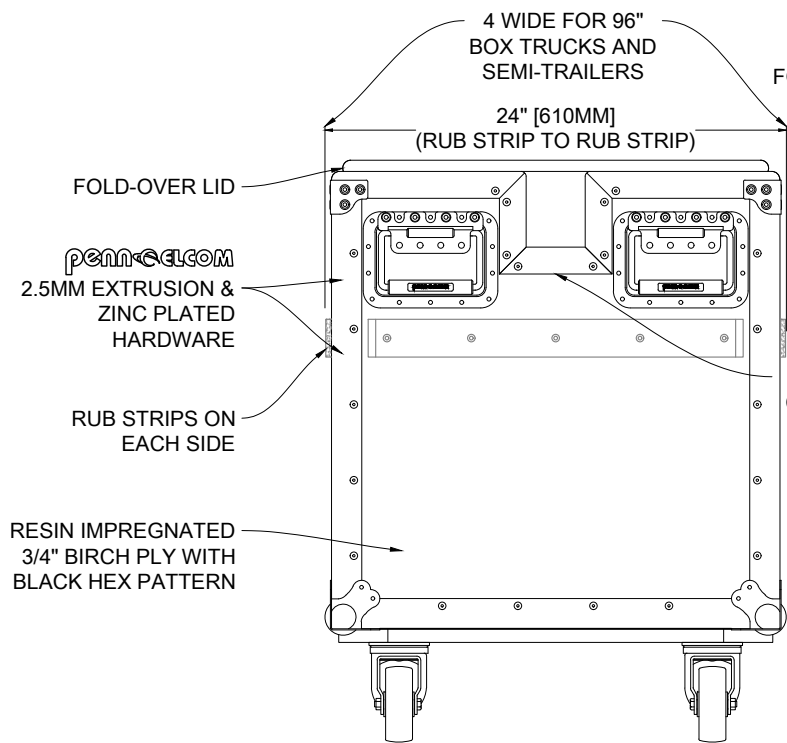
DATE
31-OCT-23

DESIGNED
ASH ALGIE

PROJECT MANAGER
JOE BRADFORD

SCALE | 1:10
PAPER | A4
FILE | 24 X 30 CADILLAC CASE V5.1.dwg
PLOT | 17/11/2023 10:45 AM
SHEET | 1 OF 1

VERSION



INTERNAL CAPACITY: 7.62 FT³ [216 L]
SHIPPING VOLUME: 12.5 FT³ [0.354 M³]
WEIGHT: TBC LB [TBC KG]