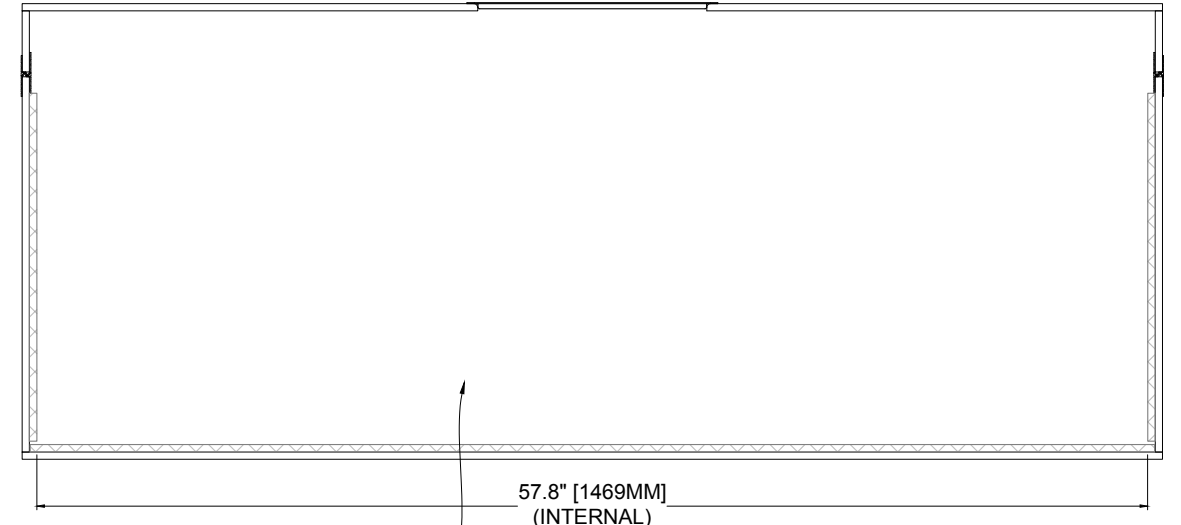
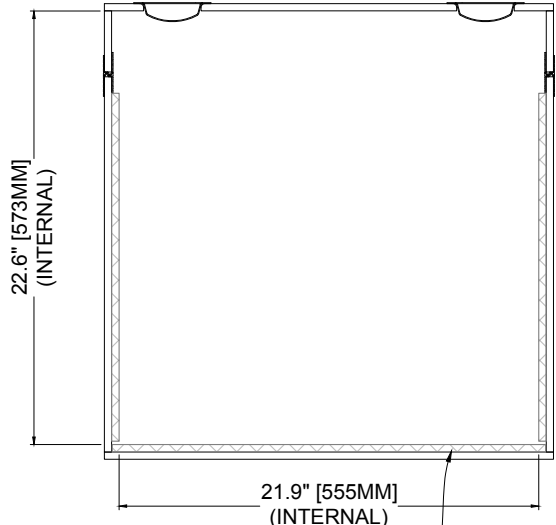
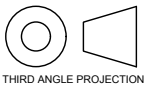


↑ EXTERNAL VIEW ↓
↓ INTERNAL VIEW ↑



INTERNAL CAPACITY: 16.5FT³ [467L]
SHIPPING VOLUME: 25FT³ [0.71M³]
WEIGHT: 141LB [64KG]

VERSION HISTORY	
#	DATE
5.00	18-AUG-17
	ORIGINAL



TITLE: 24 X 60 CASE
SHEET: OVERVIEW
FIASCOCASES.COM

DATE: 18-AUG-17
DESIGNED: MARTIN KAUBITZSCH
PROJECT MANAGER: JOE BRADFORD

SCALE	1:10
PAPER	A4
FILE	24 X 60 CASE V5.00.dwg
PLOT	04/11/2019 11:27 AM
SHEET	1 OF 2

VERSION



VERSION HISTORY	NOTES
#	DATE
5.00	18-AUG-17
	ORIGINAL



THIRD ANGLE PROJECTION

TITLE
24 X 60 CASE

SHEET
FIASCO INTERLOCK DIVIDERS

FIASCOCASES.COM

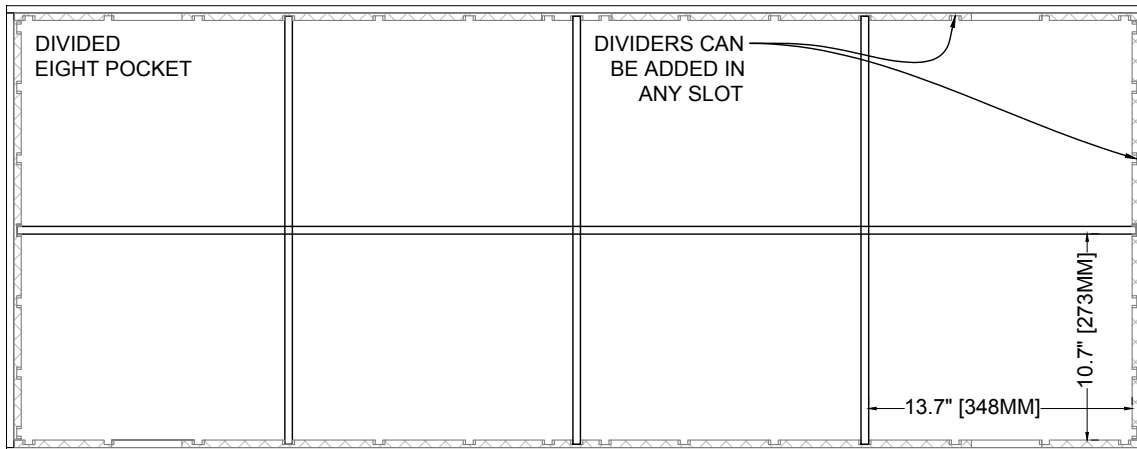
DATE
18-AUG-17

DESIGNED
MARTIN KAUBITZSCH

PROJECT MANAGER
JOE BRADFORD

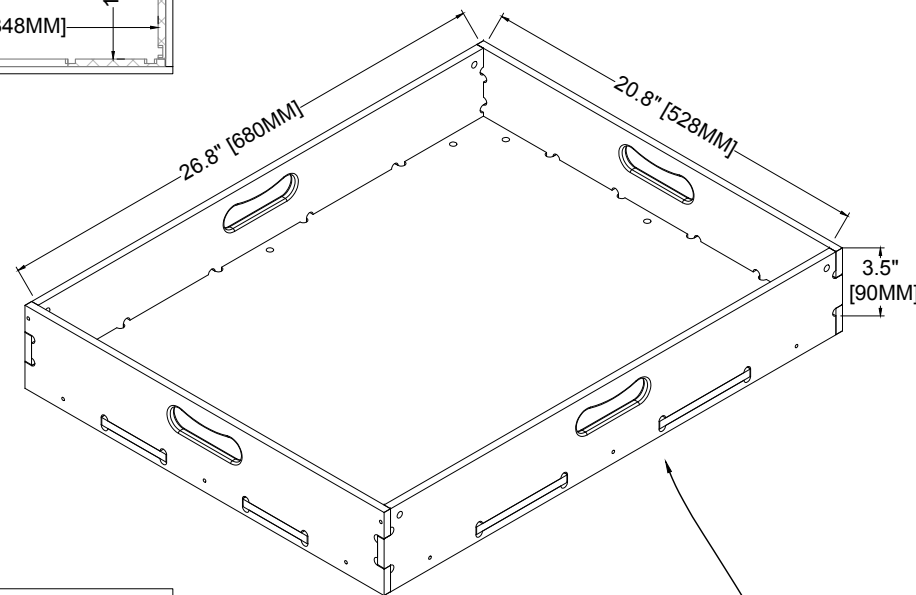
SCALE | 1:10
PAPER | A4
FILE | 24 X 60 CASE V5.00.dwg
PLOT | 04/11/2019 11:26 AM
SHEET | 2 OF 2

VERSION



FIASCO BIRCH PLY INTERLOCK DIVIDERS:
INTERGRATED SLOTS IN THE CASE ALLOW FOR UP TO:
5 CROSSWAY DIVIDERS.
5 LONGWAY DIVIDERS.

DIVIDERS CAN BE RAPIDLY CONFIGURED TO SUIT
ANY APPLICATION.



BIRCH PLY TRAY:
CAN BE INSTALLED IN
ANY CASE WITH 2+ DIVIDERS

