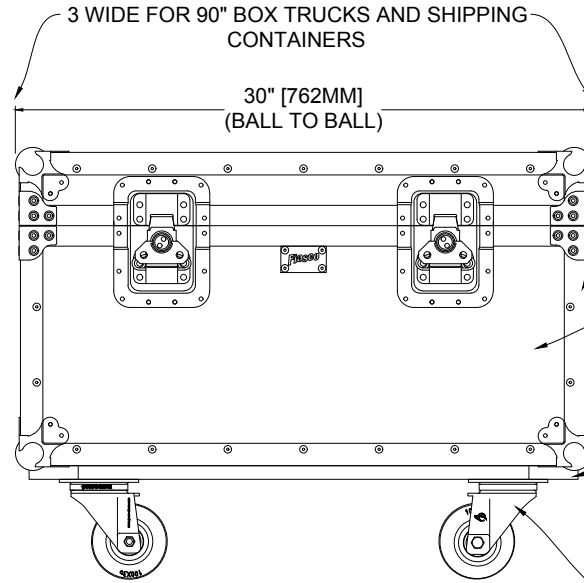
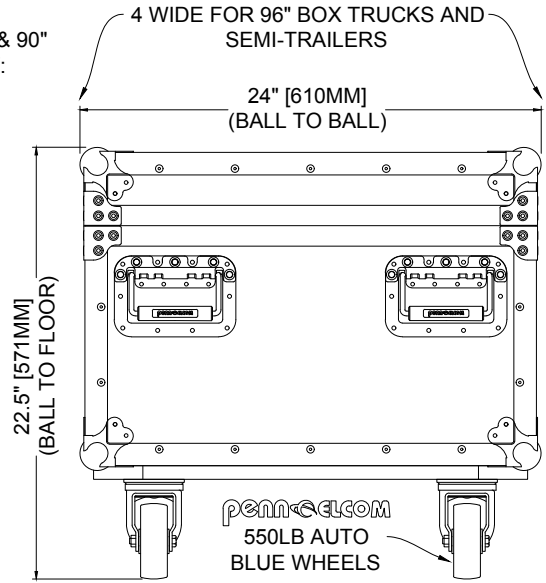
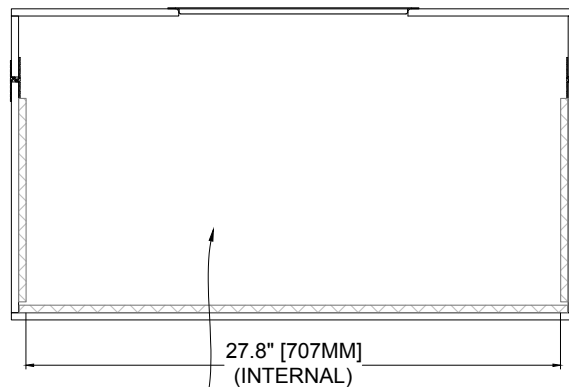
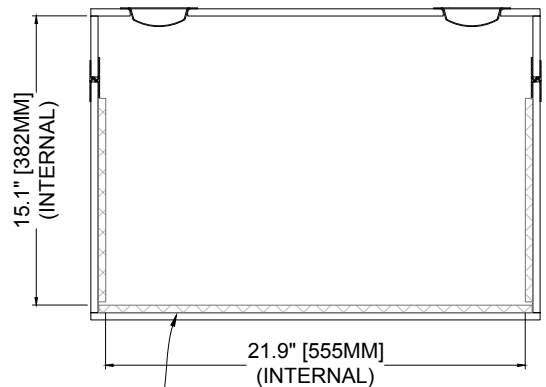


FIASCO CASES ARE OPTIMIZED FOR 96" & 90" TRUCK PACKOLOGY:



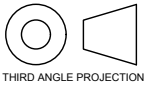
↑ EXTERNAL VIEW ↑  
↓ INTERNAL VIEW ↓



DURABLE HARD FOAM LINING

INTERNAL CAPACITY: 5.3FT<sup>3</sup> [150L]  
SHIPPING VOLUME: 9FT<sup>3</sup> [0.27M<sup>3</sup>]  
WEIGHT: 84LB [38.1KG]

VERSION HISTORY	NOTES
#	DATE
5.00	18-AUG-17
	ORIGINAL



TITLE: **24 X 30 SHORT CASE**  
SHEET: **OVERVIEW**  
FIASCOCASES.COM

DATE: **18-AUG-17**  
DESIGNED: **MARTIN KAUBITZSCH**  
PROJECT MANAGER: **JOE BRADFORD**

SCALE	1:10
PAPER	A4
FILE	24 X 30 SHORT CASE V5.00.dwg
PLOT	04/11/2019 11:17 AM
SHEET	1 OF 2

VERSION



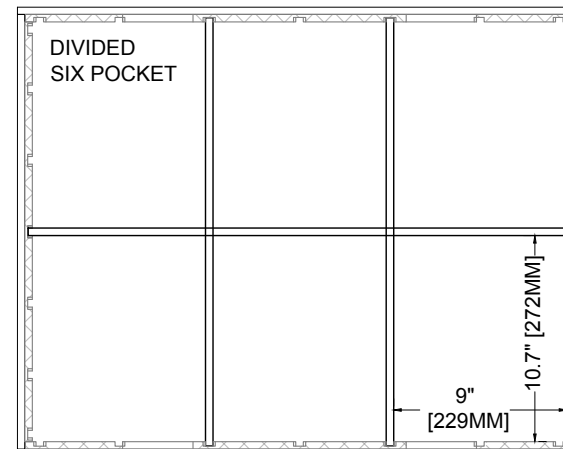
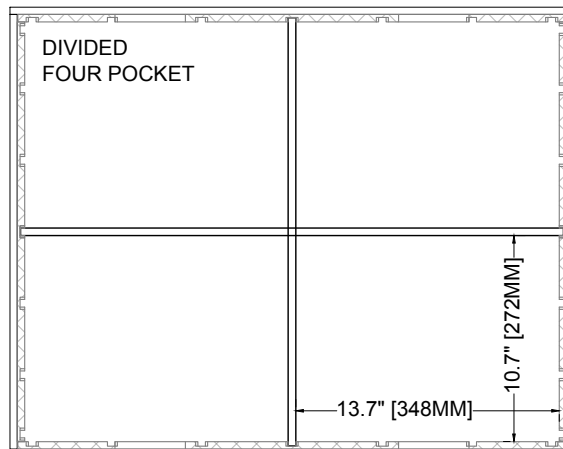
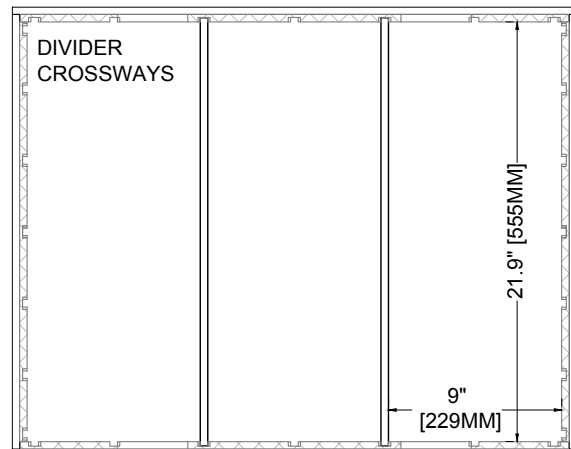
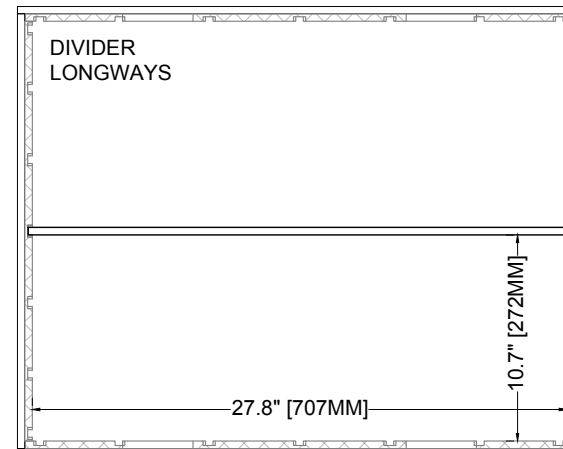
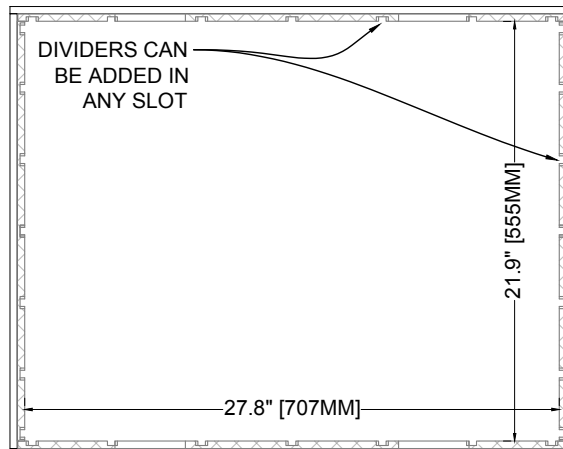
VERSION HISTORY	NOTES
#	DATE
5.00	18-AUG-17
	ORIGINAL



THIRD ANGLE PROJECTION

FIASCO BIRCH PLY INTERLOCK DIVIDERS:  
INTERGRATED SLOTS IN THE CASE ALLOW FOR UP TO:  
5 CROSSWAY DIVIDERS.  
5 LONGWAY DIVIDERS.

DIVIDERS CAN BE RAPIDLY CONFIGURED TO SUIT  
ANY APPLICATION.



TITLE  
**24 X 30 SHORT CASE**

SHEET  
**FIASCO INTERLOCK DIVIDERS**

**FIASCOCASES.COM**

DATE  
**18-AUG-17**

DESIGNED  
**MARTIN KAUBITZSCH**

PROJECT MANAGER  
**JOE BRADFORD**

SCALE | 1:10  
PAPER | A4  
FILE | 24 X 30 SHORT CASE V5.00.dwg  
PLOT | 04/11/2019 11:16 AM  
SHEET | 2 OF 2

VERSION

