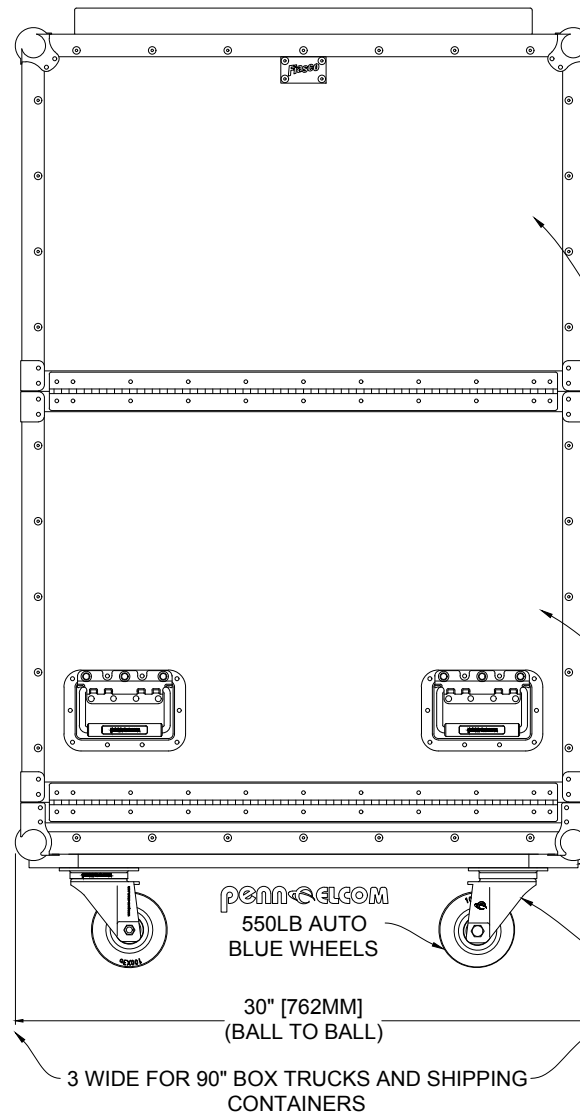
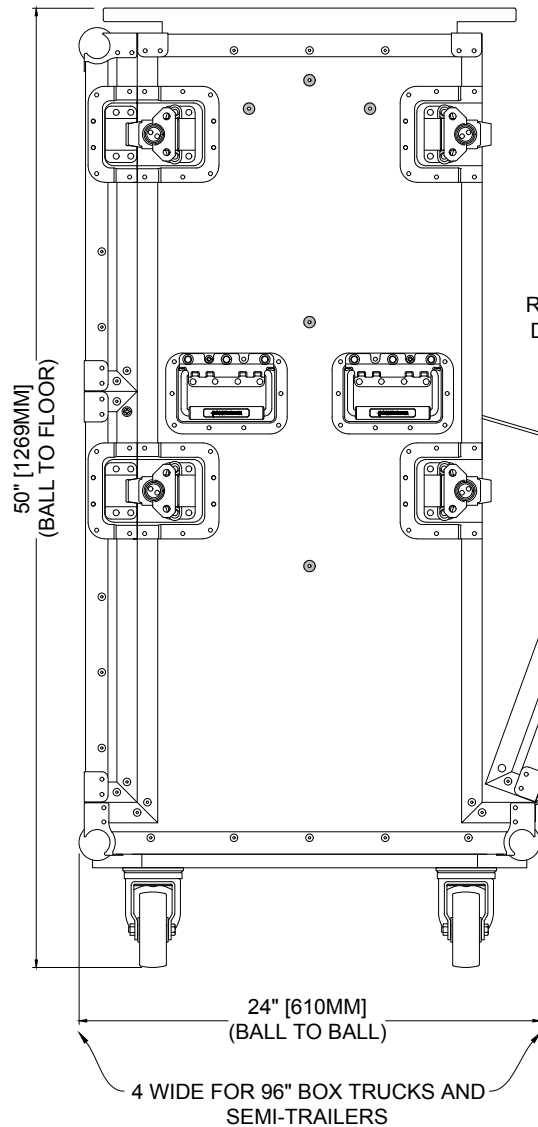
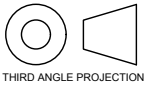


FIASCO CASES ARE  
OPTIMIZED FOR 96" & 90"  
TRUCK PACKOLOGY:



VERSION HISTORY	NOTES
#	DATE
5.00	28-AUG-18
5.01	15-AUG-19
	ORIGINAL
	ADDED LONGWAY DIVIDER
	ASSEMBLY TABS & POCKETS



TITLE  
**24 X 30 LX PROFILE CASE**

SHEET  
**OVERVIEW**

**FIASCOCASES.COM**

DATE  
15-AUG-19

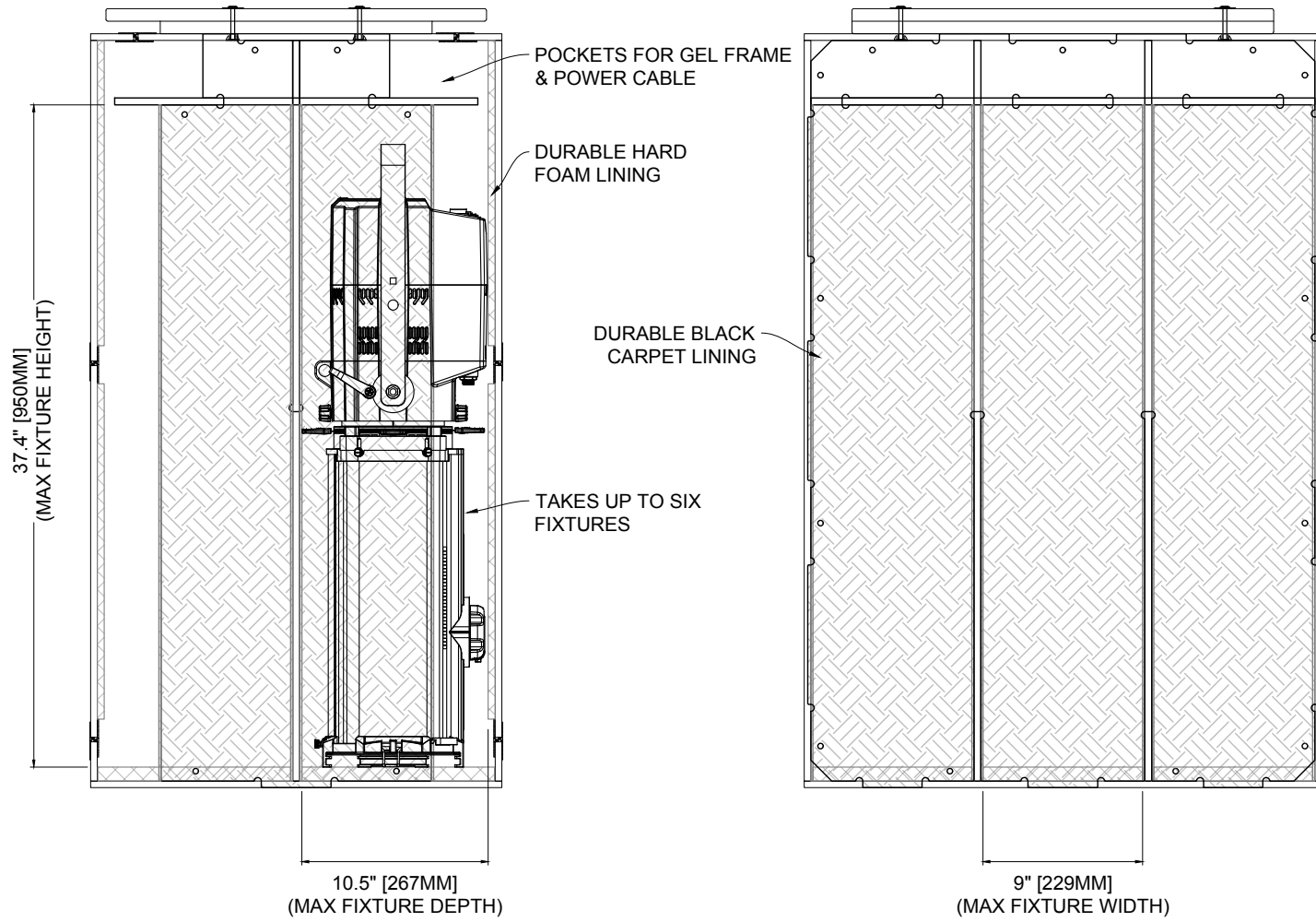
DESIGNED  
ASH ALGIE

PROJECT MANAGER  
MATT WATERHOUSE

SCALE | 1:10  
PAPER | A4  
FILE | 24 X 30 LX PROFILE CASE V5.01.k  
PLOT | 04/11/2019 11:11 AM  
SHEET | 1 OF 2

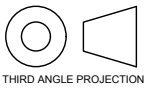
VERSION





VERSION HISTORY	NOTES
#	DATE
5.00	28-AUG-18
5.01	15-AUG-19

ORIGINAL  
ADDED LONGWAY DIVIDER  
ASSEMBLY TABS & POCKETS



TITLE  
**24 X 30 LX PROFILE CASE**

SHEET  
**FIASCO INTERLOCK DIVIDERS**

**FIASCOCASES.COM**

DATE  
**15-AUG-19**

DESIGNED  
**ASH ALGIE**

PROJECT MANAGER  
**MATT WATERHOUSE**

SCALE | 1:10  
PAPER | A4  
FILE | 24 X 30 LX PROFILE CASE V5.01.k  
PLOT | 04/11/2019 11:07 AM  
SHEET | 2 OF 2

VERSION

