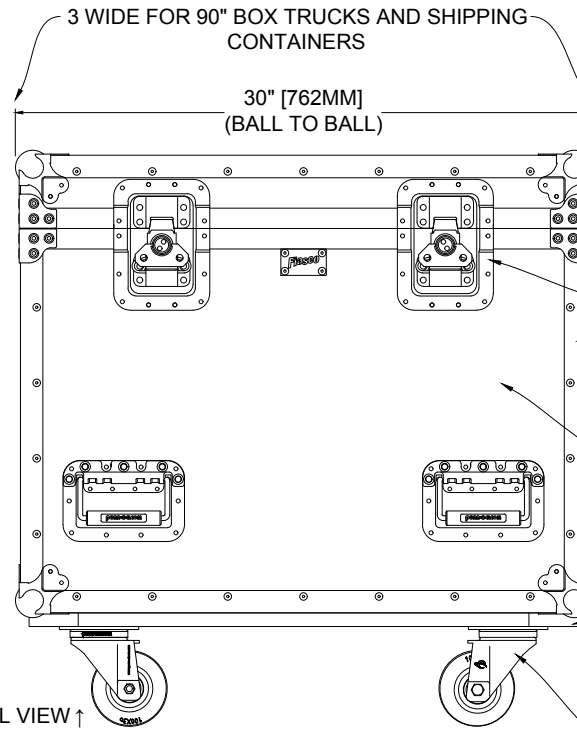
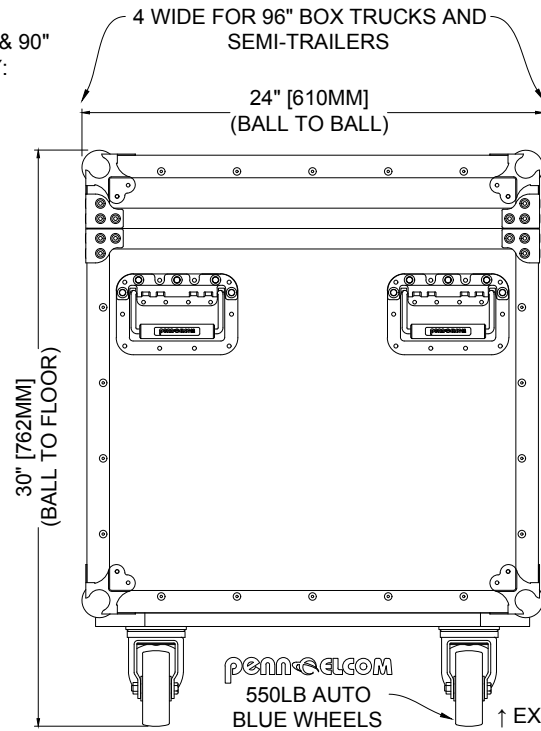


FIASCO CASES ARE OPTIMIZED FOR 96" & 90" TRUCK PACKOLOGY:



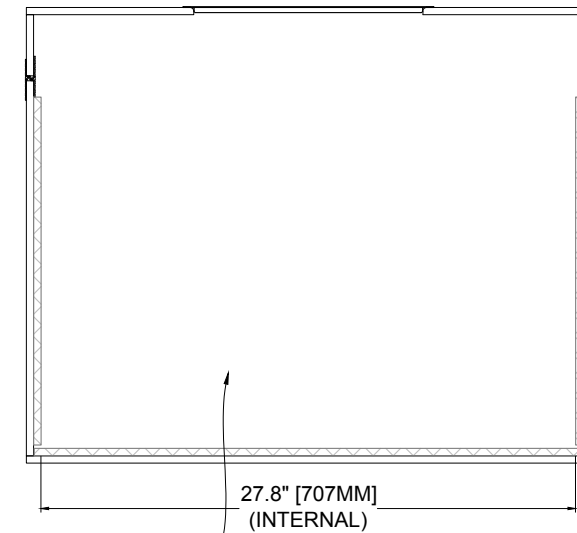
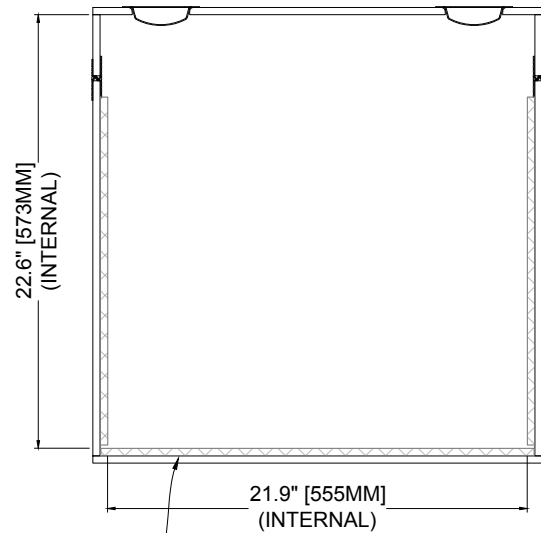
penn-elcom 2MM EXTRUSION & ZINC PLATED HARDWARE

RESIN IMPREGNATED 3/8" BIRCH PLY WITH BLACK HEX PATTERN

5/8" BIRCH PLY WHEEL-BOARD WITH FINGER CUT-OUTS FOR LOW LIFTING

AUTO WHEELS ROTATE WHEN LIFTED FOR SIMPLE STACKING

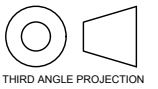
EXTERNAL VIEW
INTERNAL VIEW



DURABLE HARD FOAM LINING

INTERNAL CAPACITY: 7.9FT³ [225L]
SHIPPING VOLUME: 13FT³ [0.35M³]
WEIGHT: 87LB [39.5KG]

VERSION HISTORY	NOTES
#	DATE
5.00	18-AUG-17
	ORIGINAL



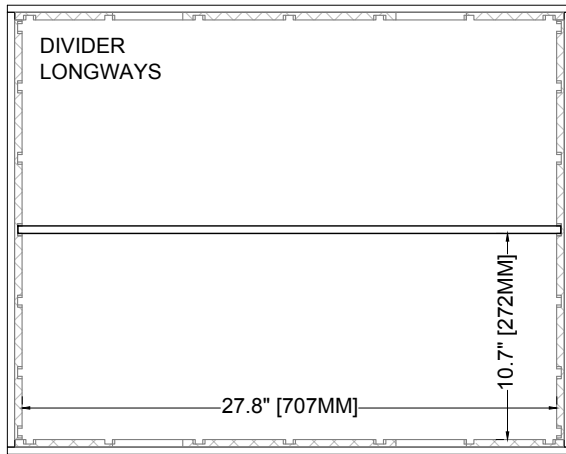
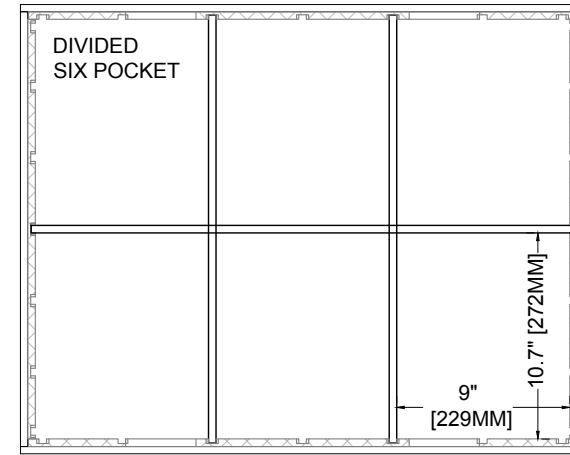
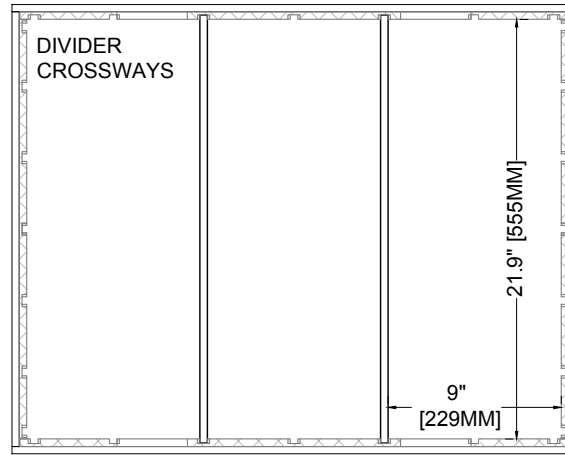
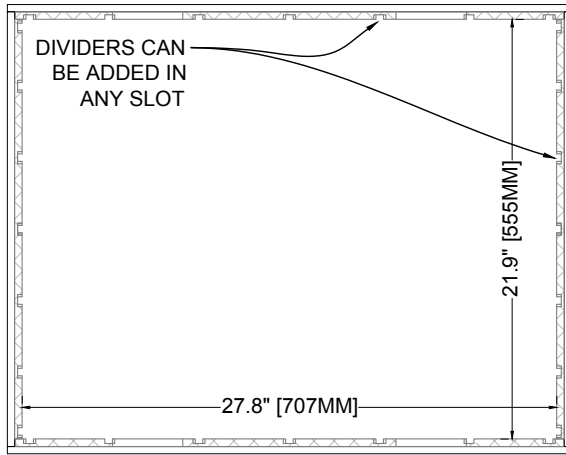
TITLE: **24 X 30 CASE**
SHEET: **OVERVIEW**
FIASCOCASES.COM

DATE: 18-AUG-17
DESIGNED: MARTIN KAUBITZSCH
PROJECT MANAGER: JOE BRADFORD

SCALE	1:10
PAPER	A4
FILE	24 X 30 CASE V5.00.dwg
PLOT	04/11/2019 10:59 AM
SHEET	1 OF 2

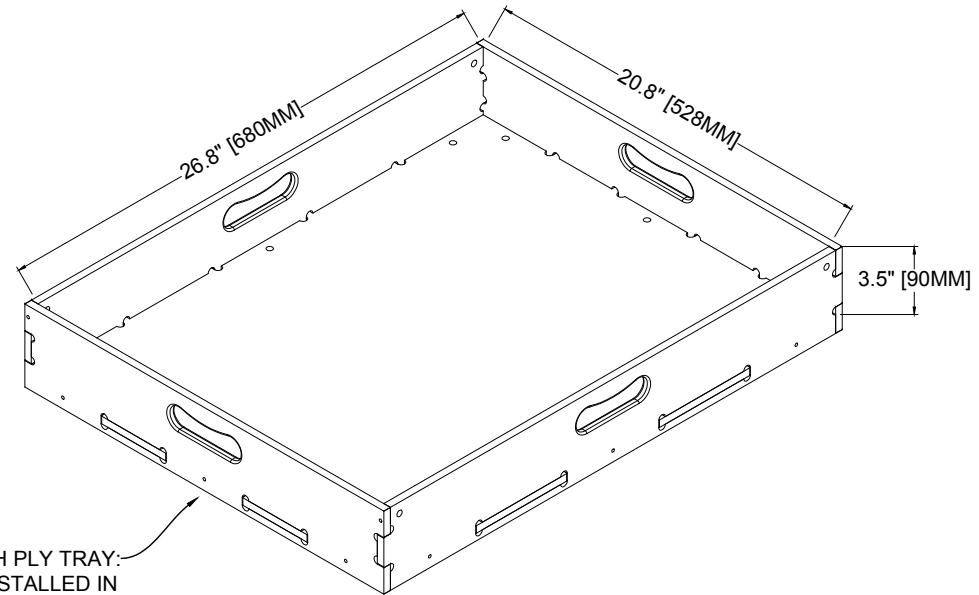
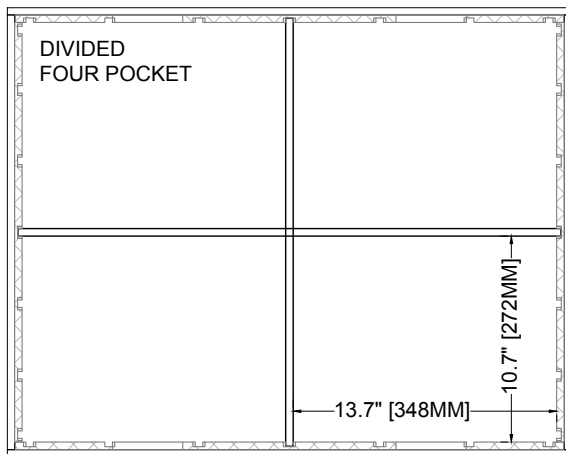
VERSION





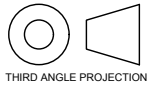
FIASCO BIRCH PLY INTERLOCK DIVIDERS:
 INTEGRATED SLOTS IN THE CASE ALLOW FOR UP TO:
 5 CROSSWAY DIVIDERS.
 5 LONGWAY DIVIDERS.

DIVIDERS CAN BE RAPIDLY CONFIGURED TO SUIT
 ANY APPLICATION.



BIRCH PLY TRAY:
 CAN BE INSTALLED IN
 ANY CASE WITH 2+ DIVIDERS.

VERSION HISTORY	
#	DATE
5.00	18-AUG-17
	ORIGINAL



TITLE
24 X 30 CASE

SHEET
FIASCO INTERLOCK DIVIDERS
FIASCOCASES.COM

DATE
18-AUG-17

DESIGNED
MARTIN KAUBITZSCH

PROJECT MANAGER
JOE BRADFORD

SCALE	1:10
PAPER	A4
FILE	24 X 30 CASE V5.00.dwg
PLOT	04/11/2019 10:57 AM
SHEET	2 OF 2

VERSION

