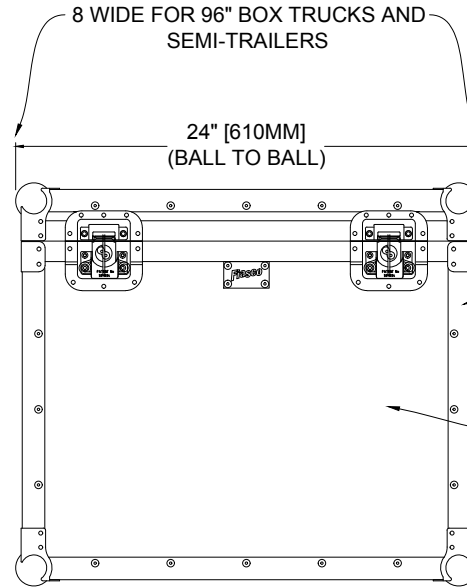
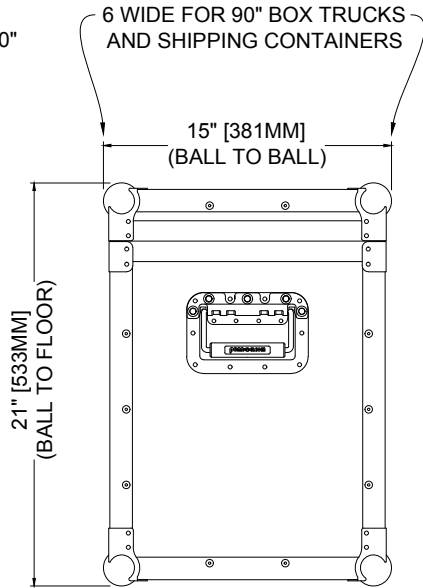


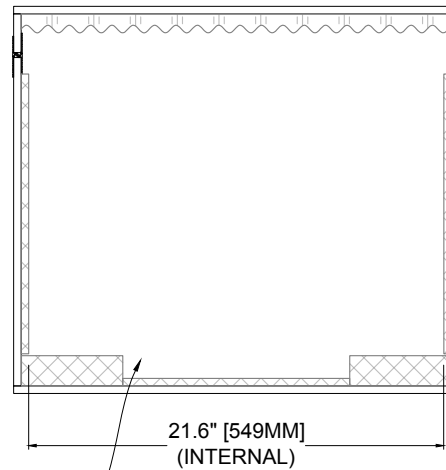
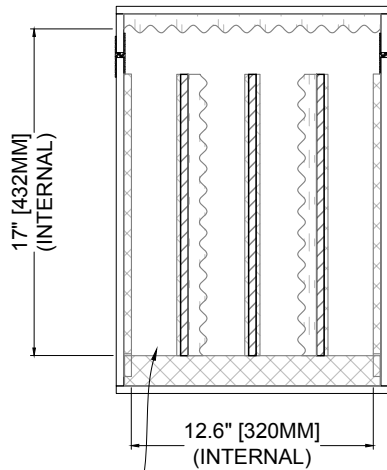
FIASCO CASES ARE OPTIMIZED FOR 96" & 90" TRUCK PACKOLOGY:



**PENNACOM**  
2MM EXTRUSION & ZINC PLATED HARDWARE

ULTRA LIGHTWEIGHT HONEYCOMB STRUCTURED 3/8" POLYPROPYLENE FLIGHT PANEL  
40% LIGHTER THAN PLYWOOD

↑ EXTERNAL VIEW ↑  
↓ INTERNAL VIEW ↓



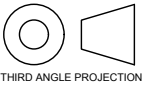
DURABLE HARD FOAM LINING

INTERNAL CAPACITY: 2.7FT<sup>3</sup> [76L]  
SHIPPING VOLUME: 4FT<sup>3</sup> [0.12M<sup>3</sup>]  
WEIGHT: 38LB [17.2KG]

INCLUDING 3 FOAM LINED LONGWAY DIVIDERS,  
1 CROSSWAY DIVIDER & 1 FILLER FOAM BLOCK

sales@fiascocases.com // (323) 528-2430

VERSION HISTORY	NOTES
#	DATE
5.00	22-JUN-17
	ORIGINAL



TITLE  
**24 X 15 CASE**  
SHEET  
**OVERVIEW**  
FIASCOCASES.COM

DATE  
22-JUN-17  
DESIGNED  
MARTIN KAUBITZSCH  
PROJECT MANAGER  
JOE BRADFORD

SCALE	1:10
PAPER	A4
FILE	24 X 15 CASE V5.00.dwg
PLOT	04/11/2019 10:55 AM
SHEET	1 OF 2

VERSION



VERSION HISTORY	
#	DATE
5.00	22-JUN-17
	NOTES
	ORIGINAL



THIRD ANGLE PROJECTION

TITLE  
**24 X 15 CASE**

SHEET  
**FIASCO INTERLOCK DIVIDERS**

FIASCOINTERLOCKDIVIDERS  
FIASCOCASES.COM

DATE  
22-JUN-17

DESIGNED  
MARTIN KAUBITZSCH

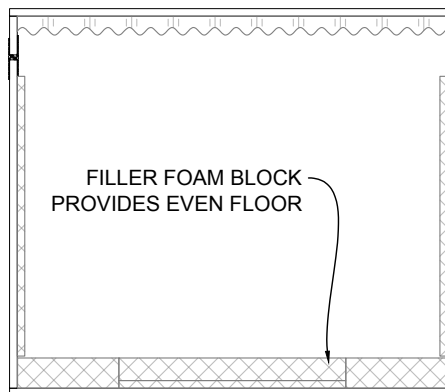
PROJECT MANAGER  
JOE BRADFORD

SCALE | 1:10  
PAPER | A4  
FILE | 24 X 15 CASE V5.00.dwg  
PLOT | 04/11/2019 10:54 AM  
SHEET | 2 OF 2

VERSION



**FIASCO BIRCH PLY INTERLOCK DIVIDERS:**  
INTERGRATED SLOTS IN THE CASE ALLOW DIVIDERS TO BE RAPIDLY CONFIGURED TO SUIT YOUR APPLICATION.



TAKES UP TO TWO 21.5" MONITORS (ONE RIGHT UP, ONE UPSIDE DOWN)

FOAM LINED DIVIDERS CAN BE POSITIONED EVERY 3/8" TP PROVIDE TIGHT FIT

