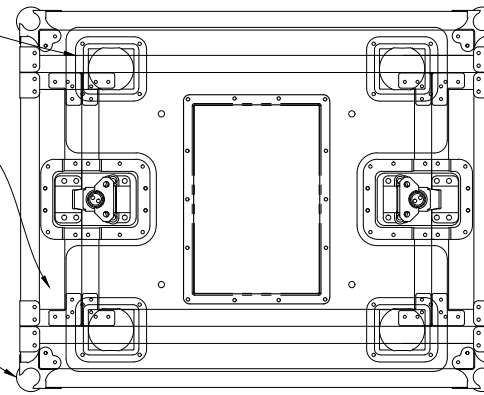


FIASCO CASES ARE  
OPTIMIZED FOR 96" & 90"  
TRUCK PACKOLOGY:

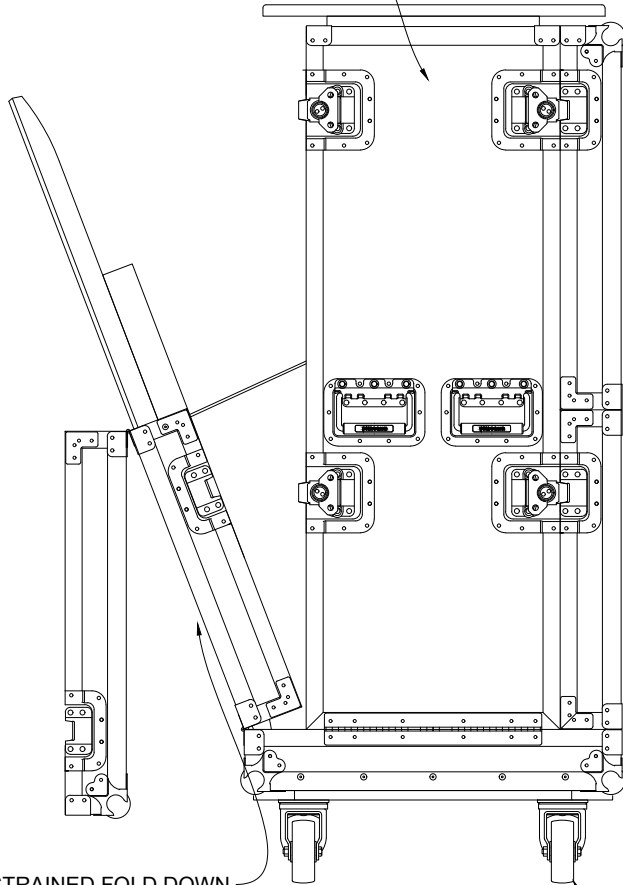
STACKING WHEEL POCKETS

CHEMICAL RESISTANT RESIN  
IMPREGNATED 3/8" BIRCH PLY  
WITH BLACK HEX PATTERN

**penn-elcom**  
EXTRUSION & ZINC  
PLATED HARDWARE



FOLD DOWN SIDES TO REVEAL  
STORAGE OPTIONS



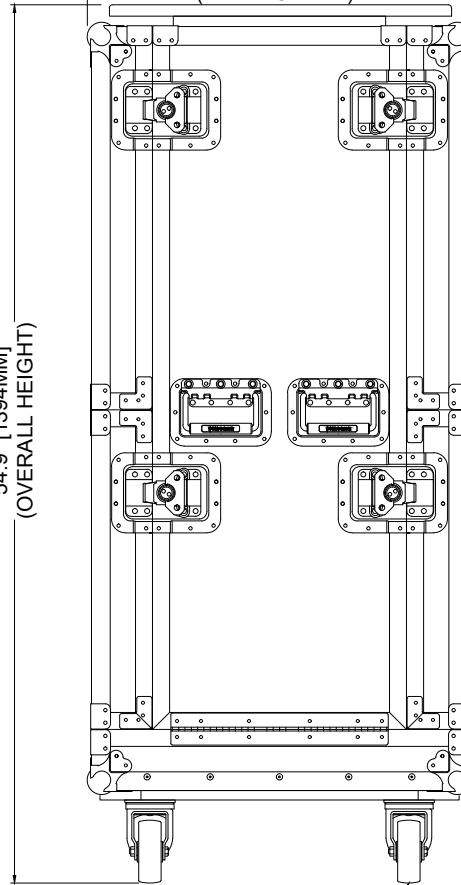
RESTRAINED FOLD DOWN  
DOOR FOR EASY SCREEN  
INSERTION

AUTO WHEELS ROTATE WHEN  
LIFTED FOR SIMPLE STACKING

4 WIDE FOR 96" BOX TRUCKS AND  
SEMI-TRAILERS

24" [610MM]  
(BALL TO BALL)

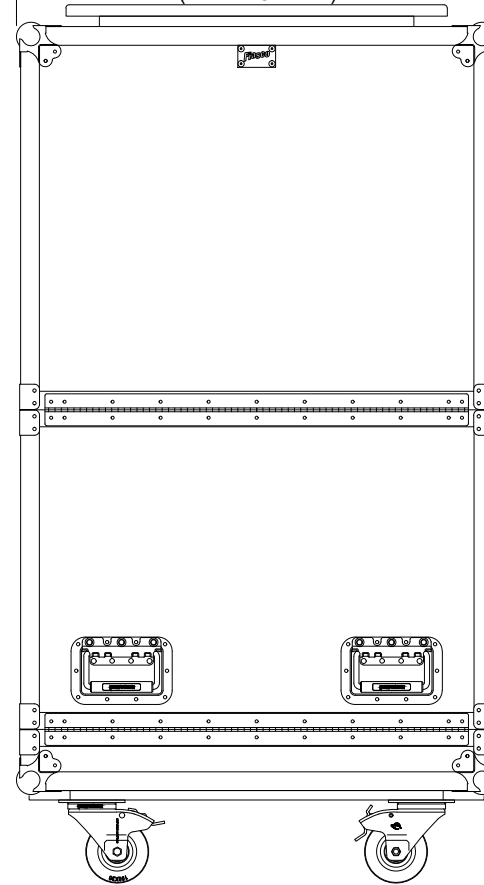
54.9" [1394MM]  
(OVERALL HEIGHT)



**penn-elcom**  
550LB AUTO BLUE WHEELS

3 WIDE FOR 90" BOX TRUCKS AND SHIPPING  
CONTAINERS

30" [762MM]  
(BALL TO BALL)

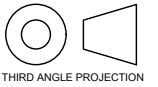


PHONE: (323) 528-2430

EMAIL: SALES@FIASCOCASES.COM

**Fiasco**  
fiascocases.com

VERSION HISTORY	NOTES
#	DATE
5.5	20-FEB-20
5.5	19-JAN-21
5.5	02-NOV-23



TITLE  
24 X 30 MULTI-FIT CORE SINGLE POLE  
KIT  
SHEET

CUSTOMER DRAWING

DATE  
24-APR-24  
DESIGNED  
ASH ALGIE  
PROJECT MANAGER  
NICK REEVES

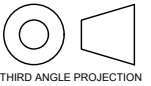
SCALE | 1:10  
PAPER | A4  
FILE | 24 X 30 MULTI-FIT SCREEN CORE  
PLOT | POLE KIT V5.51.dwg  
SHEET | 24/04/2024 02:40 PM  
OF

VERSION

5.51

© FIASCO CASES

VERSION HISTORY	NOTES
#	DATE
5.5	20-FEB-20 ORIGINAL
5.5	19-JAN-23 NAME CHANGE
5.5	02-NOV-23 PLATE FITMENT UPDATE



TITLE  
**24 X 30 MULTI-FIT CORE SINGLE POLE KIT**  
SHEET

**CUSTOMER DRAWING**

DATE  
**24-APR-24**

DESIGNED  
**ASH ALGIE**

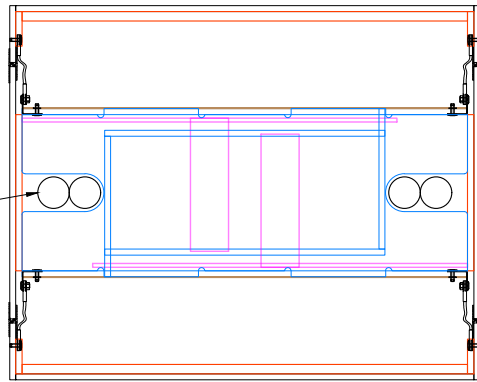
PROJECT MANAGER  
**NICK REEVES**

SCALE 1:10  
PAPER A4  
FILE 24 X 30 MULTI-FIT SCREEN CORE  
PLOT POLE KIT V5.51.dwg  
SHEET 24/04/2024 02:40 PM  
OF

VERSION



FOLD DOWN SIDES REVEAL SPACE FOR  
-PREMIER SINGLE POLE PLATES  
\*OR\* ANY 20-22" PLATES (x2)  
-4x 40" POLES  
-9L POLYPROOF OR SIMILAR



VERSATILE VELCRO FOAM BLOCKS ALLOW FOR CARRYING SCREENS OF ANY SHAPE AND SIZE INCLUDING BRACKETS

CARPET LINED

