

TOOENJOY®

Instructions

TOOENJOY Elevating Roof Rack

302



For a complete video installation guide - Go to our website!

www.tooenjoy.com

INTRODUCTION



Pay close attention to this installation step

Read all instructions carefully before using the product for the first time.

The safety information explained in these instructions, cannot cover all situations that may occur. It must be understood that common sense and general caution must be applied while using the product.



Can cause injury to people or equipment if not adhered to

Roof cross bars not included and must be bought separately. Ask your TOOENJOY retailer for roof cross bar or roof cross bar from another business that fits your car

The minimum load of roof cross bar shall not be less than 65kg/143lbs

Max roof load=65kg/143lbs

(Max Roof Load = weight of roof rack + weight of Elevating roof racks + weight of load.)

SAFETY INFORMATION

General

- The manufacturer is not liable for any theft of product or property.
 - Read all instructions carefully before using the product for the first time.
 - These instructions should be kept together with the vehicle's operating instructions and carried in the vehicle when in use and en route.
 - Be sure to follow the national rules and regulations regarding roof load carriers and accessories. Always check and follow all local driving regulations.
 - Read instructions before use. Improper use can lead to damage on car and/or person.
 - Personal safety, and the safety of the car is your responsibility.
 - The safety advice and the disclaimers explained in these instructions, cannot cover all situations that may occur. It must be understood that common sense and general caution must be applied while using the product.
 - It is paramount that all users of the rack and accompanying equipment understand the instructions. Inform and show new users how the rack should be used.
 - Your authorized TOOENJOY reseller can be of service if anything is unclear and you are in need of additional explanations.
 - Do not leave the rack in its lowered position without supervision.
- Inadequately secured loads and incorrectly mounted roof racks and accessory racks can come loose during travel and cause serious accidents! Therefore, installation, handling and use must be carried out in accordance with product and vehicle instructions.

Installation and Fitting

- This product must only be used with suitable roof cross bar.
- Assemble and fit the product using the instructions only. Check with the instruction manual that all the necessary parts are included. If a part is missing, the product may not be used until it is complete.
- Do not assemble or use this product unless you have understood the fitting instructions. If you have any questions, please contact your local dealer for further information.
- Every time the unit is fitted, check that the product is sitting securely on the roof. Try to push and pull the carrier out of its locked position. This test should be carried out regularly.
- Do not mount the product on cars that are explicitly not rack compatible. Check with your local retailer.
- The manufacturer cannot be held responsible for personal damages of property or loss of fortune caused by incorrect mounting or use of the product.
- No modifications to the product are permitted if not approved by the manufacturer.
- Consult with your dealer if you have any questions regarding the operations and limits of the product. Review all instructions and warranty information carefully.
- Antennas and sunroofs can interfere with roof racks when installed and should not be used if they do.

Loading

- Do not exceed the maximum load specified for the roof rack, accessory rack or the maximum load recommended by the vehicle manufacturer.
Max Roof Load = weight of roof rack + weight of Elevating roof racks + weight of load.
- This product is only suitable for transporting the max load capacity if it is evenly distributed on the loading surface.
- Overloading, error in closing, and use of equipment explicitly rejected by the manufacturer can damage the car or product.
- Make sure that equipment attached to the rack is always attached securely.
- Do not lower or lift the rack with a loose load.
- Do not open the rack into trafficked roads.
- Keep other people away from moving parts, when the rack is lowered/lifted.
- Do not go under the rack when it is in use.
- Do not use the product on an incline of more than 5%.
- Do not place load or other objects on other surfaces than the loading surface.
- The product must only be used when the car is safely parked.
- When carrying surfboards and other long items, these shall be secured both at the front and the rear of the vehicle.
- NOTE! Always check the load's attachment.
- Loading and driving. It is the driver's responsibility to check that the product is properly fastened and functions correctly. If there is a special accessory adapter for the object to be transported, we recommend using it.
- Elastic straps with securing hooks should not be used for load fixation.
- Check that the load is fastened properly by pushing and pulling it.
- The load's security should be thoroughly checked before driving, after a short distance, and thereafter at suitable intervals. Tighten the load's securing straps whenever necessary.

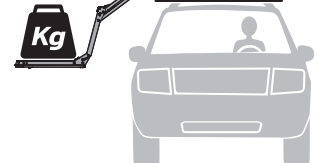
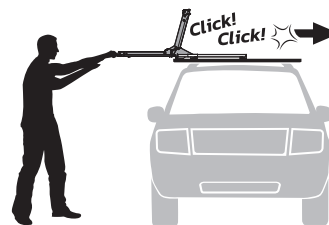
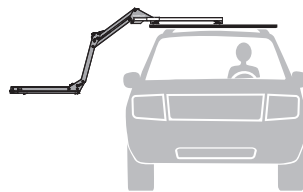
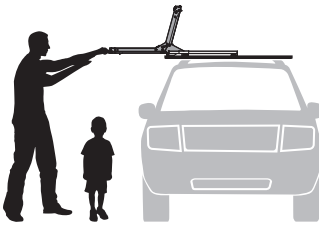
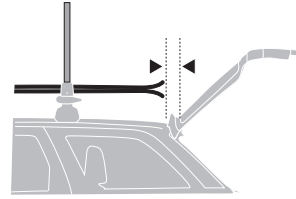
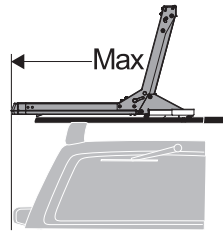
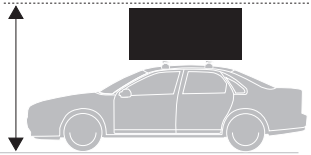
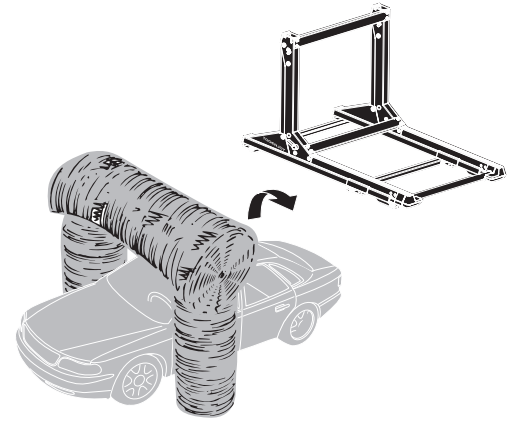
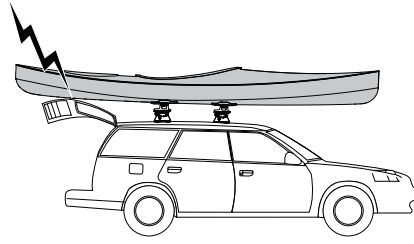
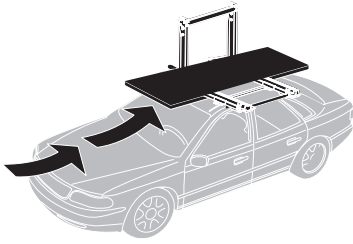
Driving & Regulations

- Always make sure all driving locks are locked before driving.
- The driver of the car is legally responsible for safe usage and consequences of unsafe usage of roof racks and other accessories attached to the car. The manufacturer is not responsible for any injury, damage of property or harm caused by usage of the product.
- Road speed should always be adjusted to suit the load being carried and the current driving conditions, such as road type and quality, wind conditions, traffic intensity and applicable speed limits.
- Check tension of load carrier frequently, especially when travelling on rough roads.
- Vehicle handling, cornering, braking and sensitivity to side winds will change with the addition of roof top loads.
- Off-road driving is not recommended and could result in damage to your vehicle or your gear.
- Speed must be adjusted accordingly and we recommend not exceeding the recommended speed of 130 km/h or legal speed limit.

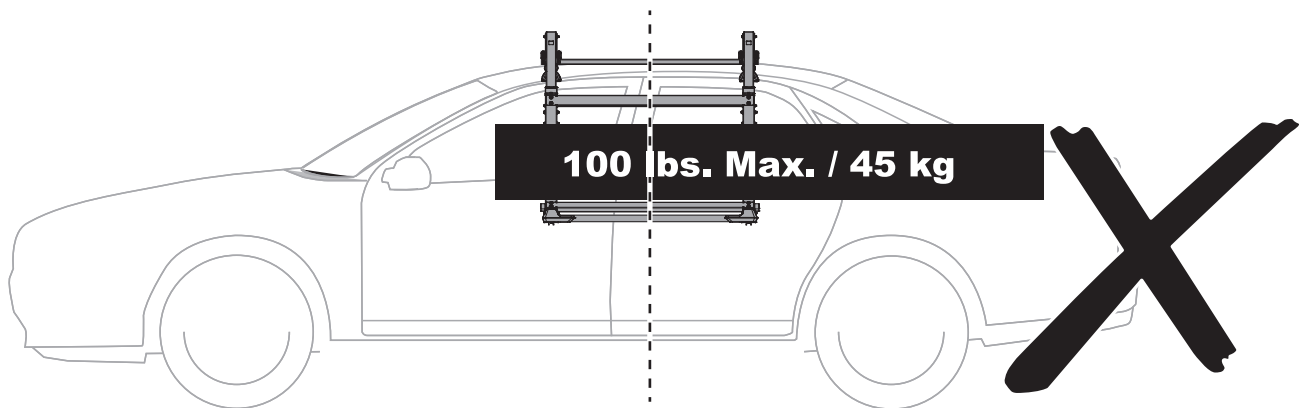
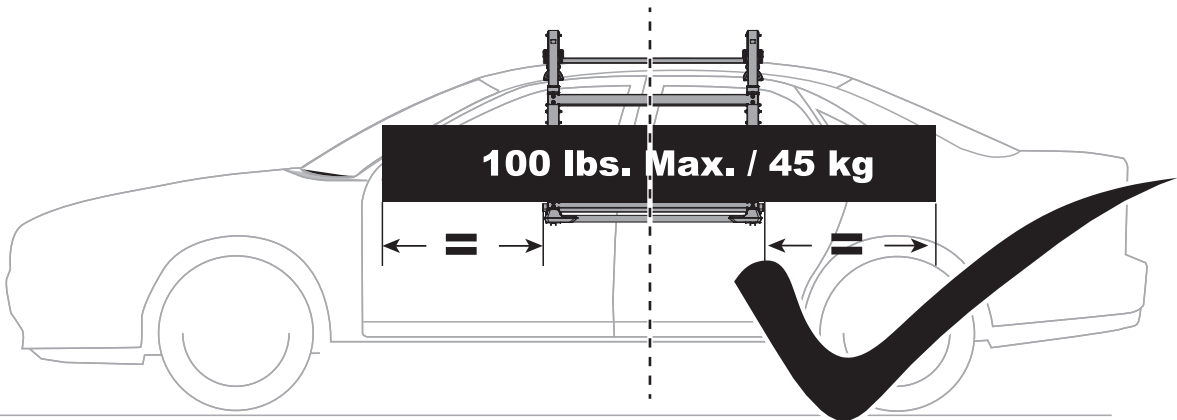
Maintenance

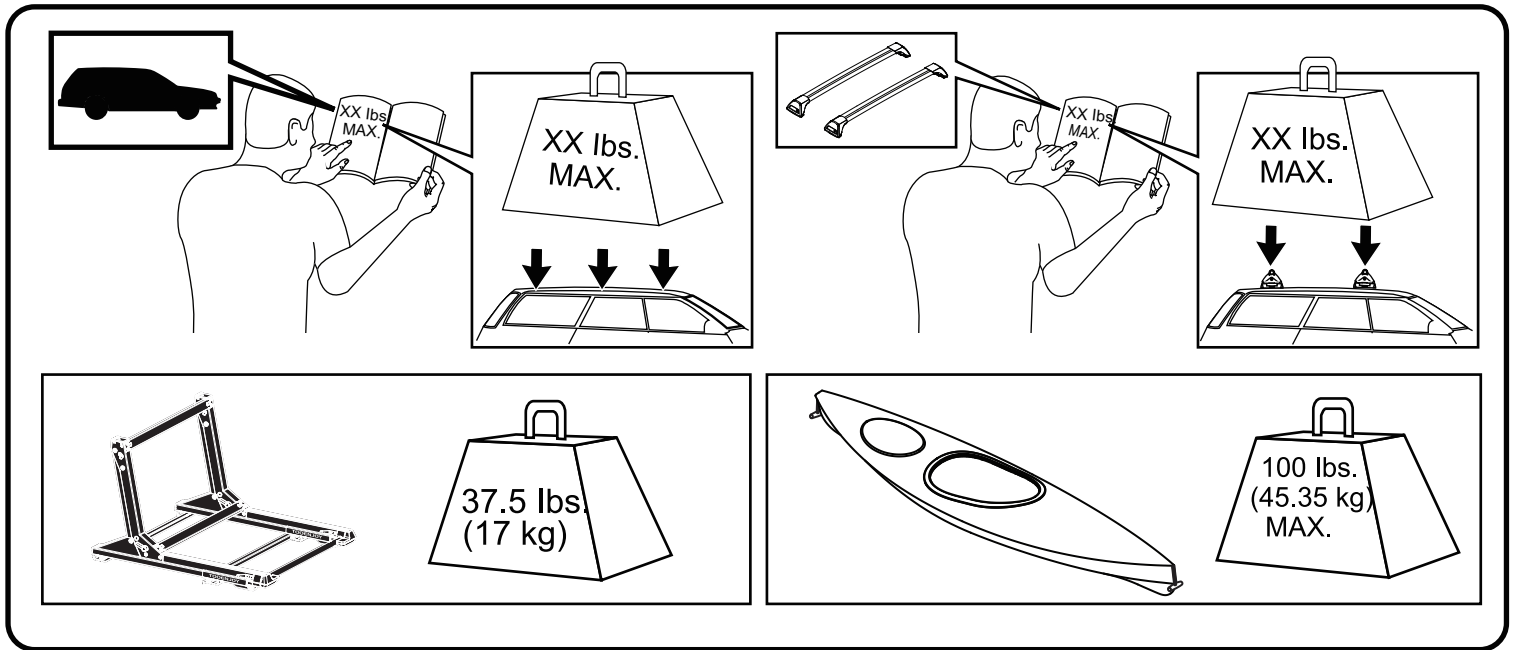
- Follow the product's maintenance instructions.
- Periodically inspect accessory rack for damage and wear.
- Do not use the product if a part has defects or is damaged. This may cause serious injury.
- Replace worn-out or defective parts with genuine replacement parts certified by TOOENJOY .
- The load carrier should always be cleaned and maintained, especially in the winter.
- Do not wash the product with high pressure when the temperature is below freezing.
- Store all loose parts safely when the product is removed from the vehicle.
- Always remove load and accessories from the TOOENJOY before disassembling from the car roof.
- Modifications to the TOOENJOY product are not permitted. Modifications can cause a safety hazard for you and your surroundings. If the product is modified, the warranty is no longer valid, and the manufacturer cannot be held responsible.
- Do not put the car through an automatic car wash when the rack is mounted.
- Fitting kits and attachments may be specially designed for a car model. Please check with your TOOENJOY retailer what type of fitting kit and attachments are needed when changing car.

WARNING

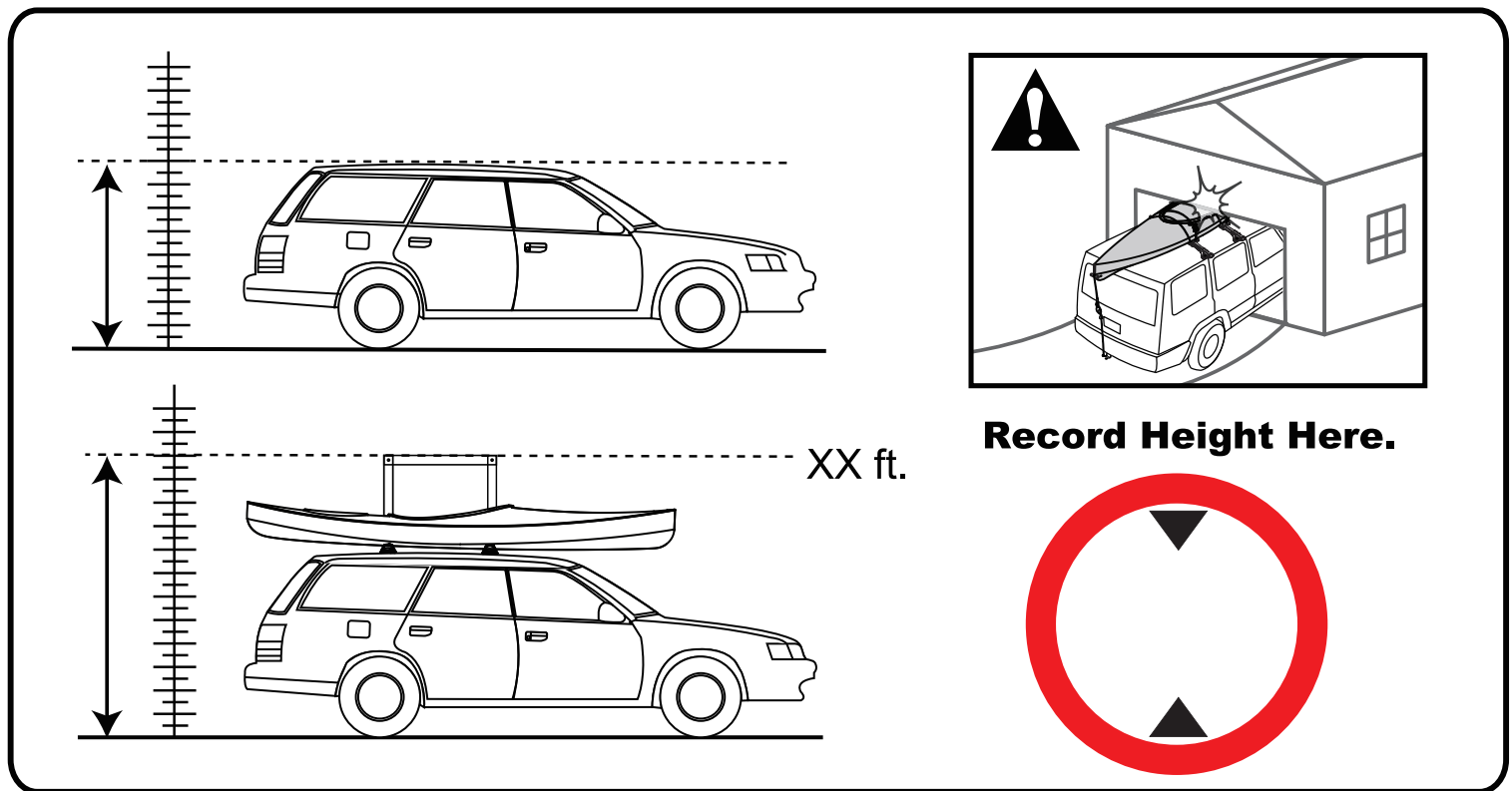


i

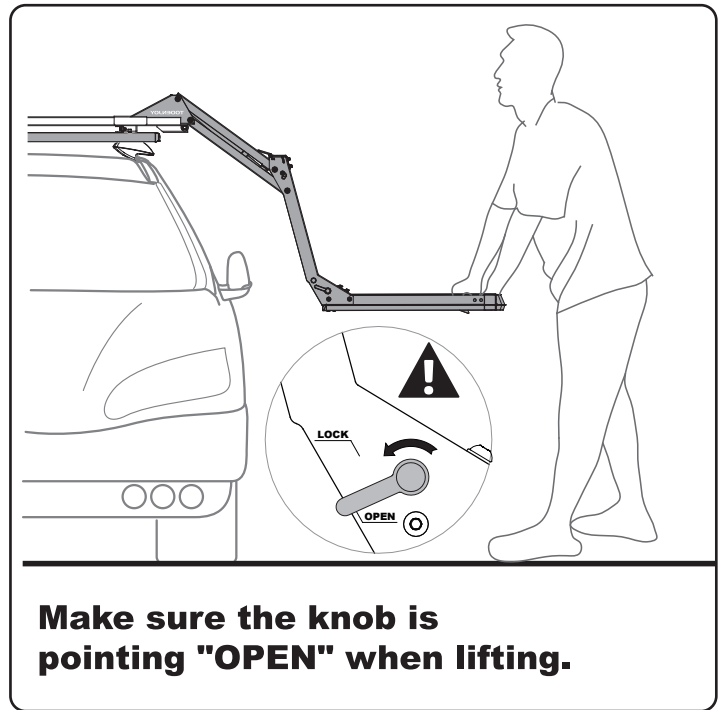
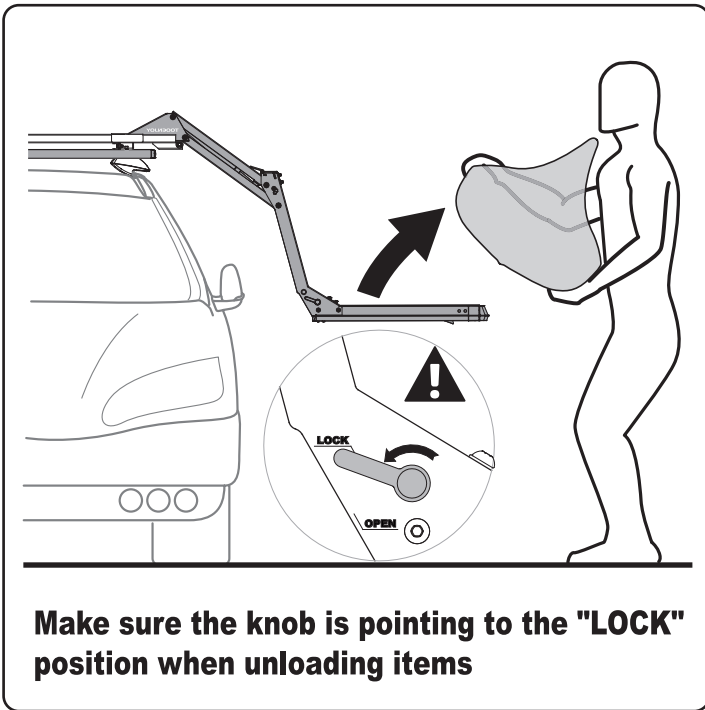
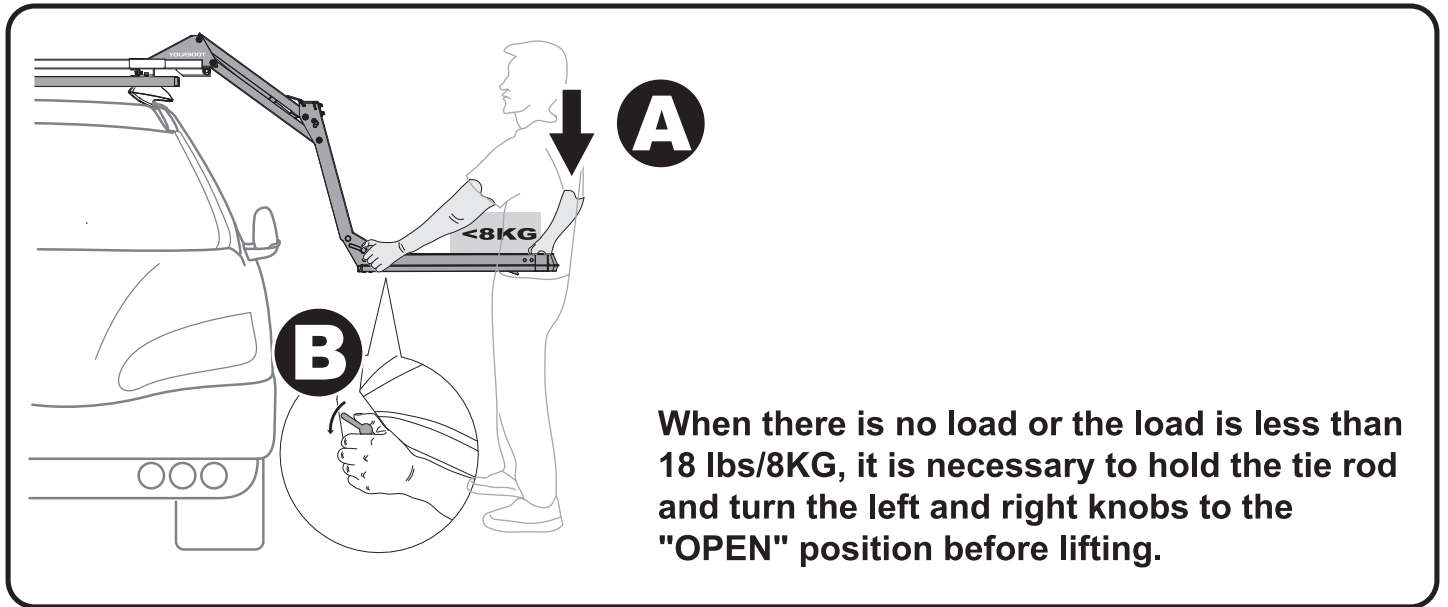


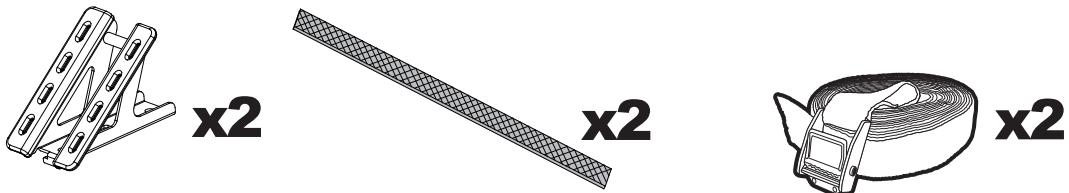
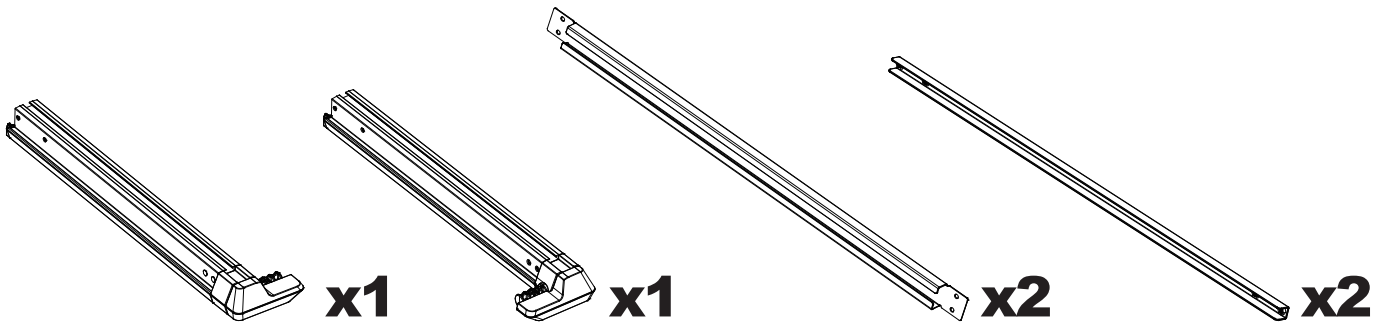
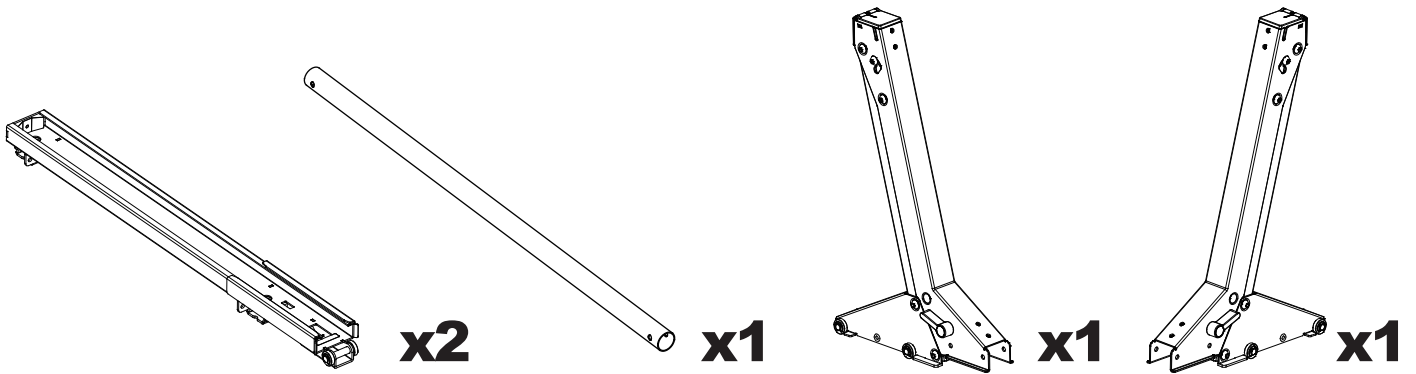


Vehicle must be able to carry 70kg/155lbs total roof load. The minimum load of roof cross bar shall not be less than 65kg/143lbs. Max roof load = load carrier + any fitted carrier accessories + the weight of the load itself. Refer to the vehicle's owners manual for the maximum load recommended by the manufacturer of the car itself



Measure the total height after installation, fill the data in the height limit mark above, tear off the mark and paste it where easily seen inside the car.





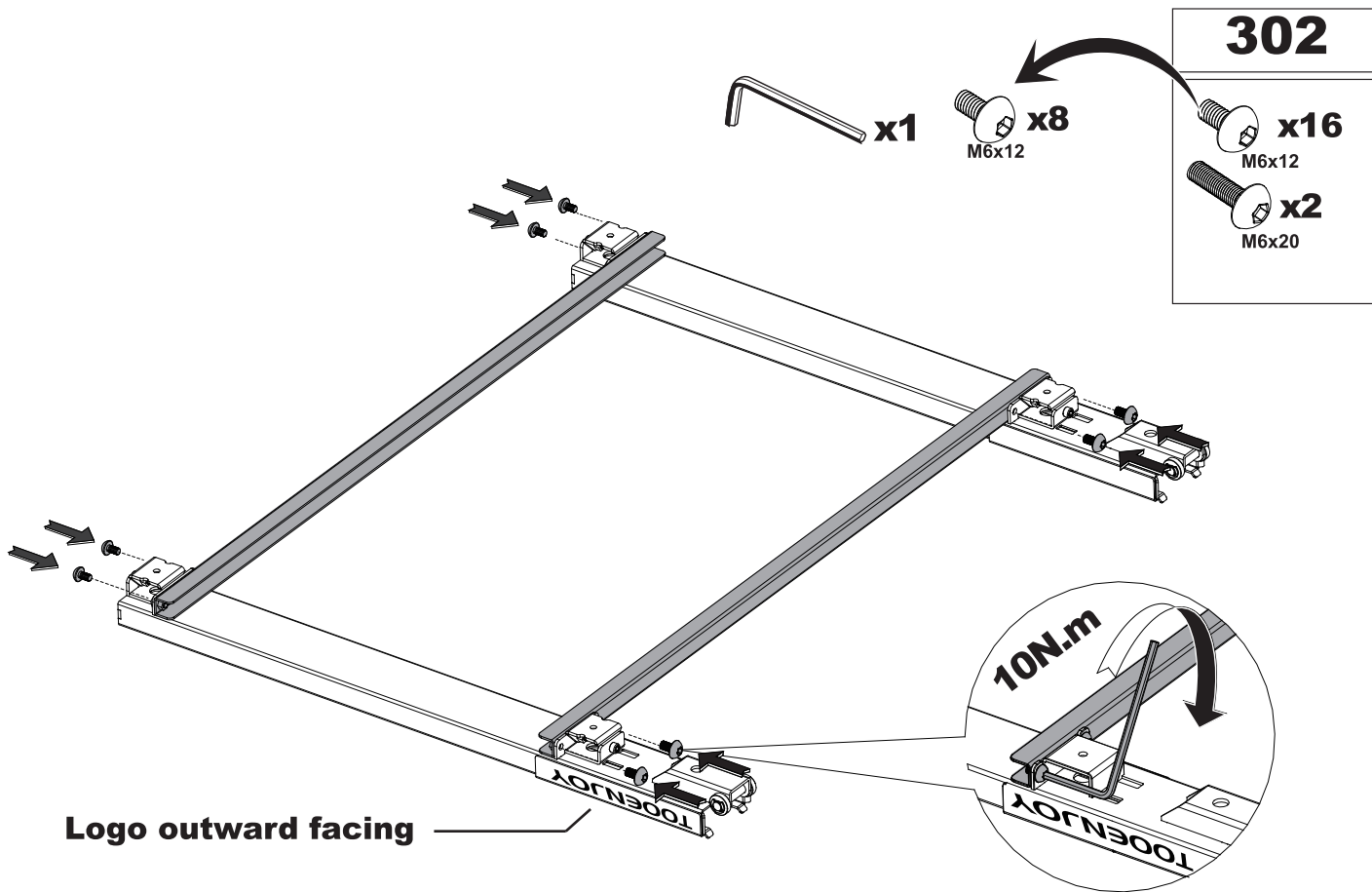
302
Elevating Roof Rack
x24 M6x12 x2 M6x20 x1

T
T Slot Bolts Clamps
x4 x4

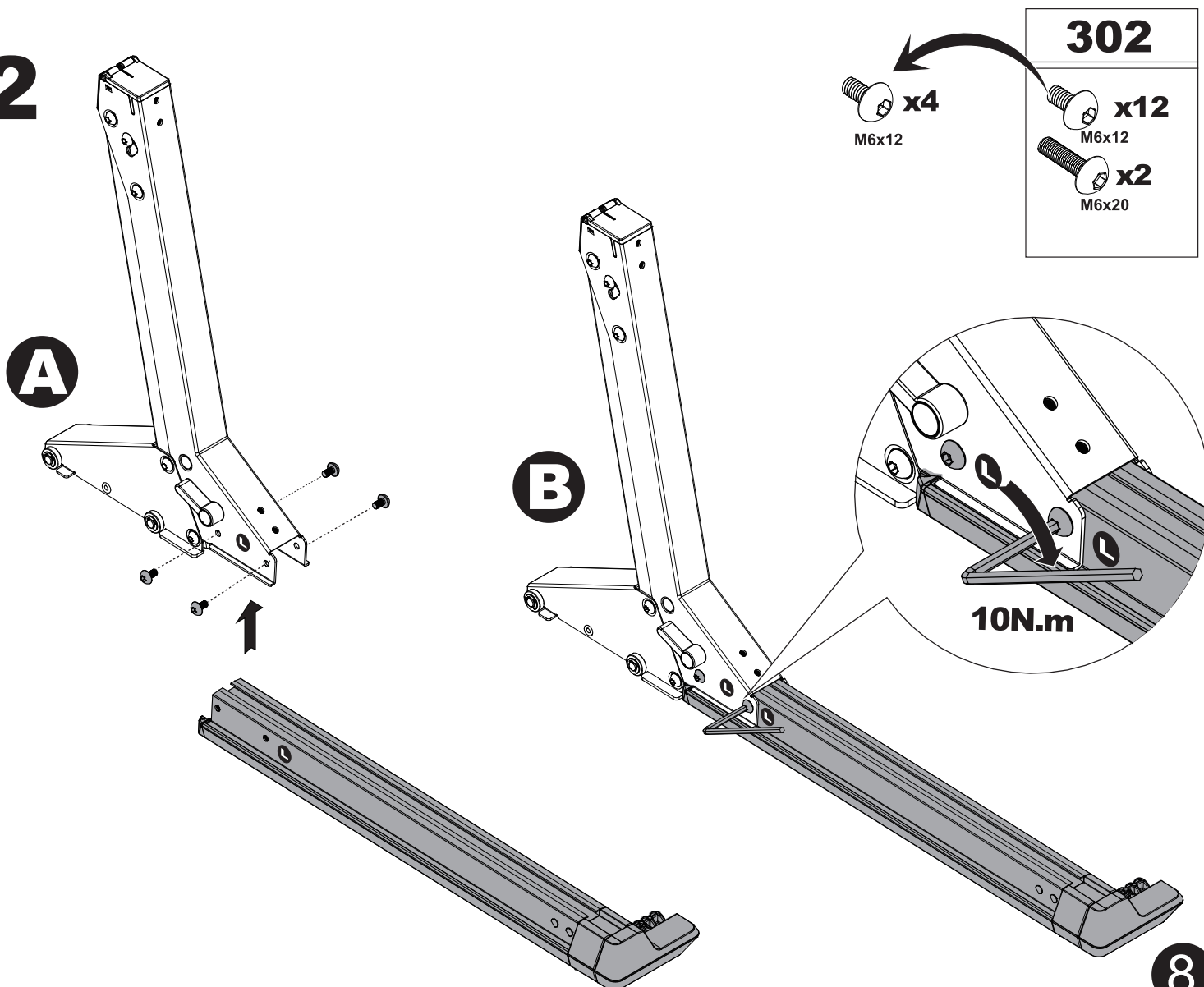
U
U-Bolts Clamps
x4 x4 x8

K
Kayak racks
x4 x4

1



2



3

302

x4

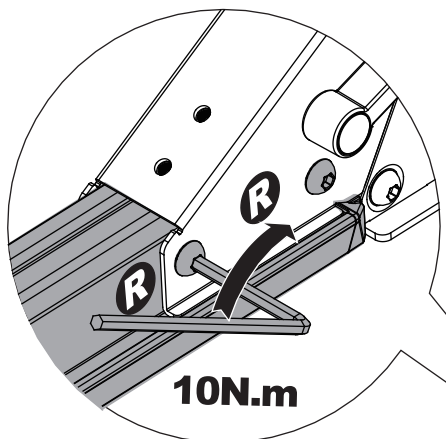
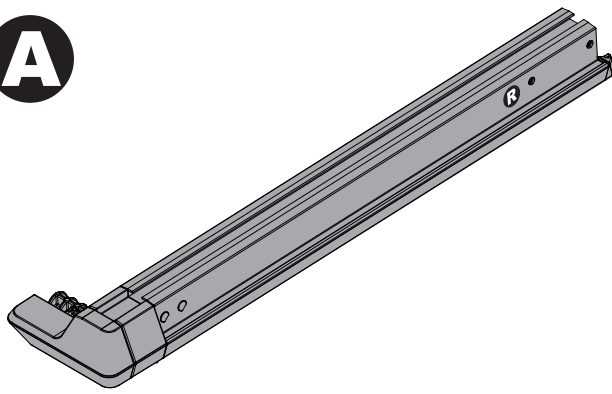
x8

M6x12

x2

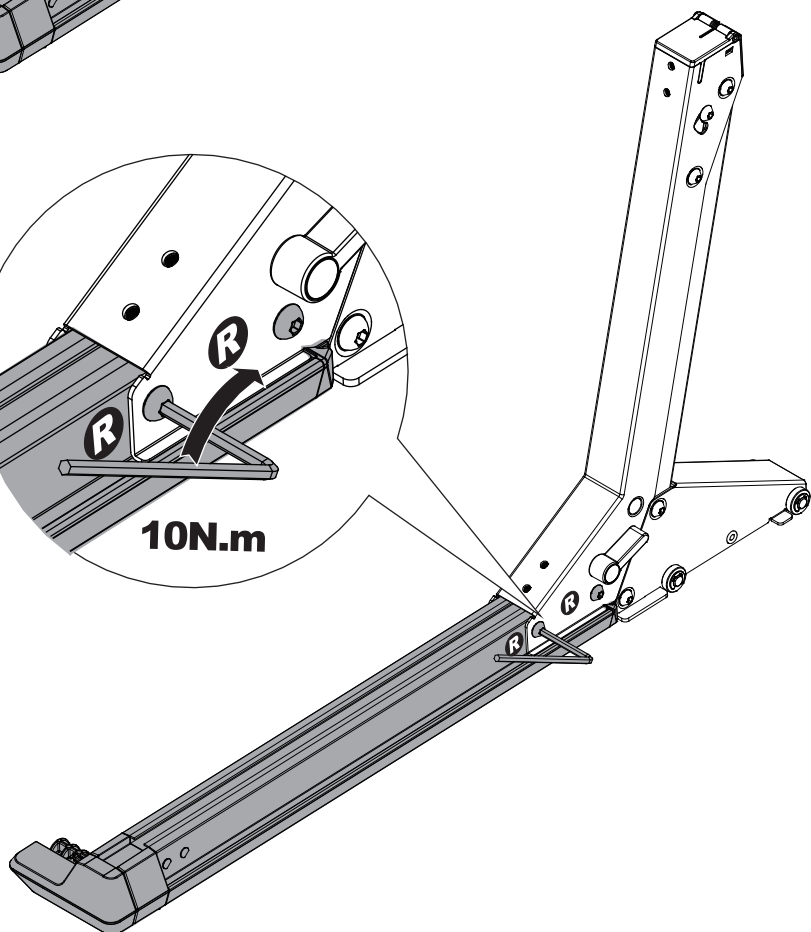
M6x20

A



10N.m

B



9

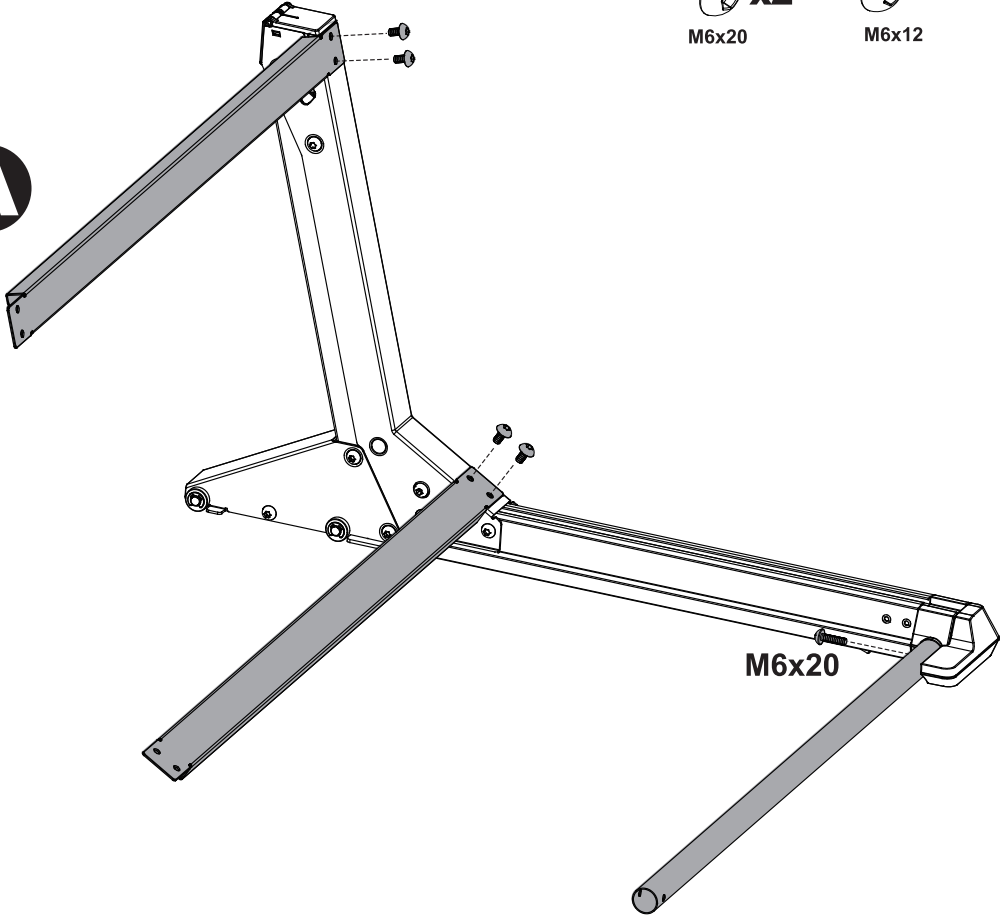
4

302

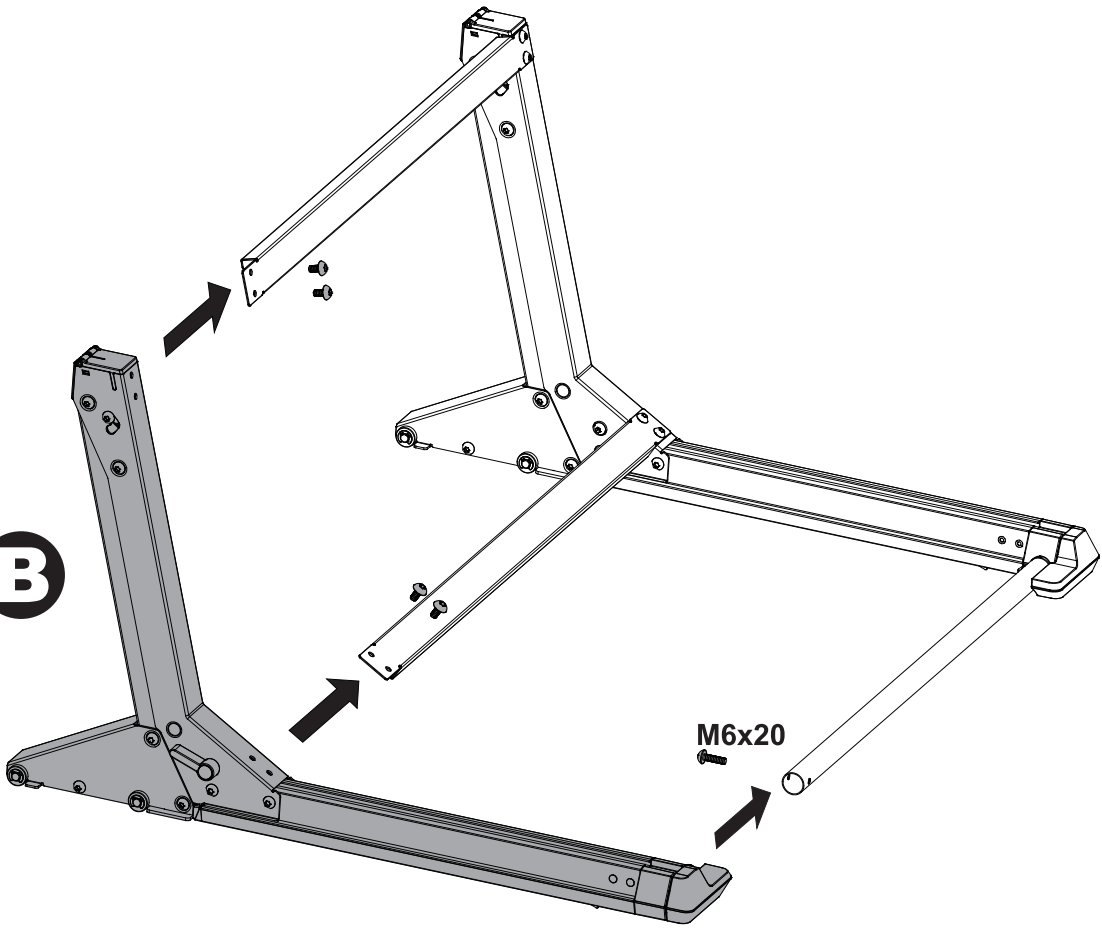
M6x20 x2

M6x12 x8

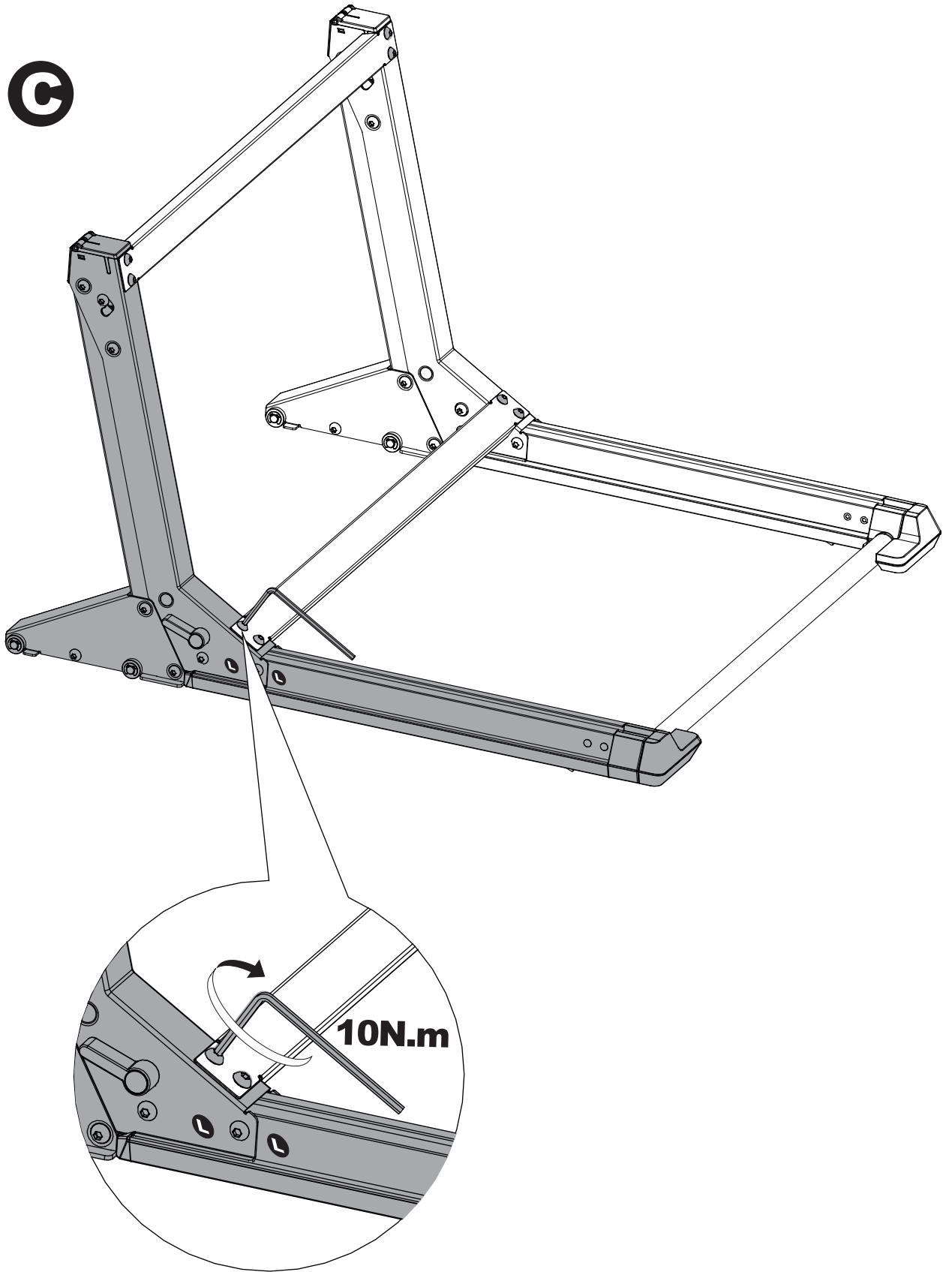
A

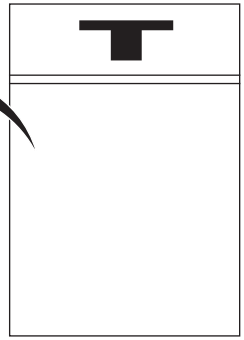
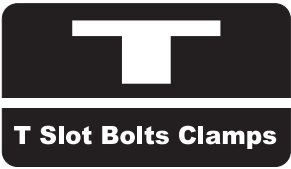


B

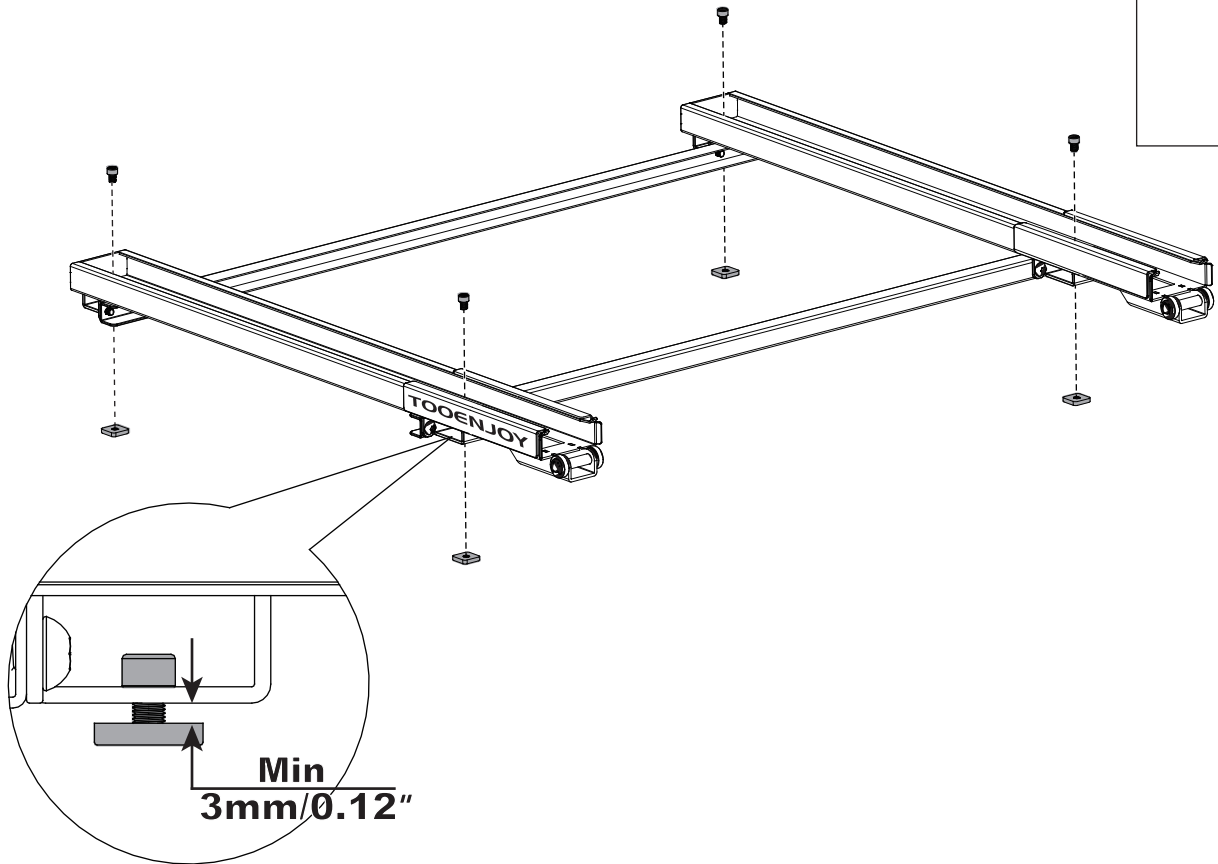


3





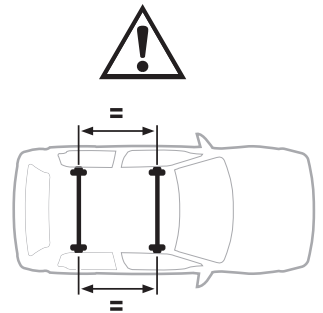
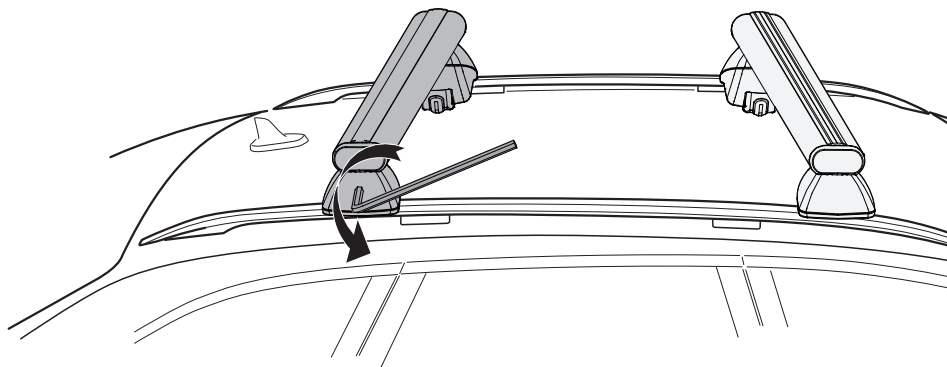
5



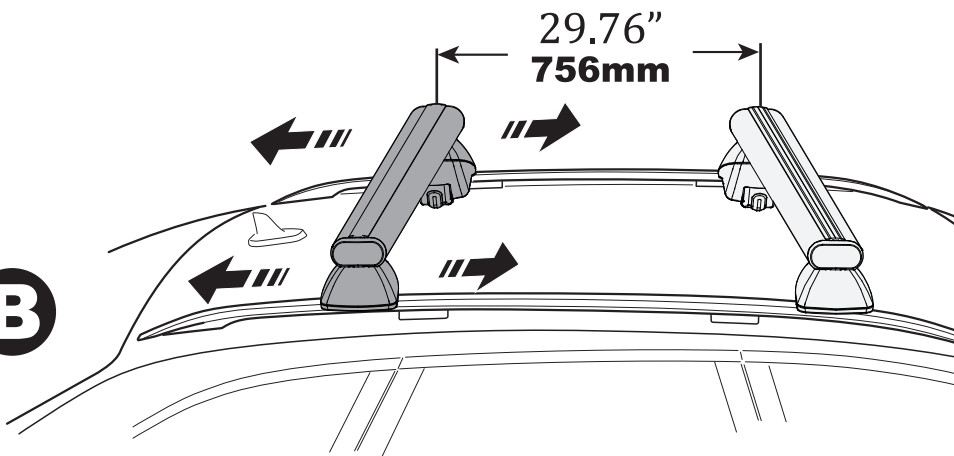
6

1

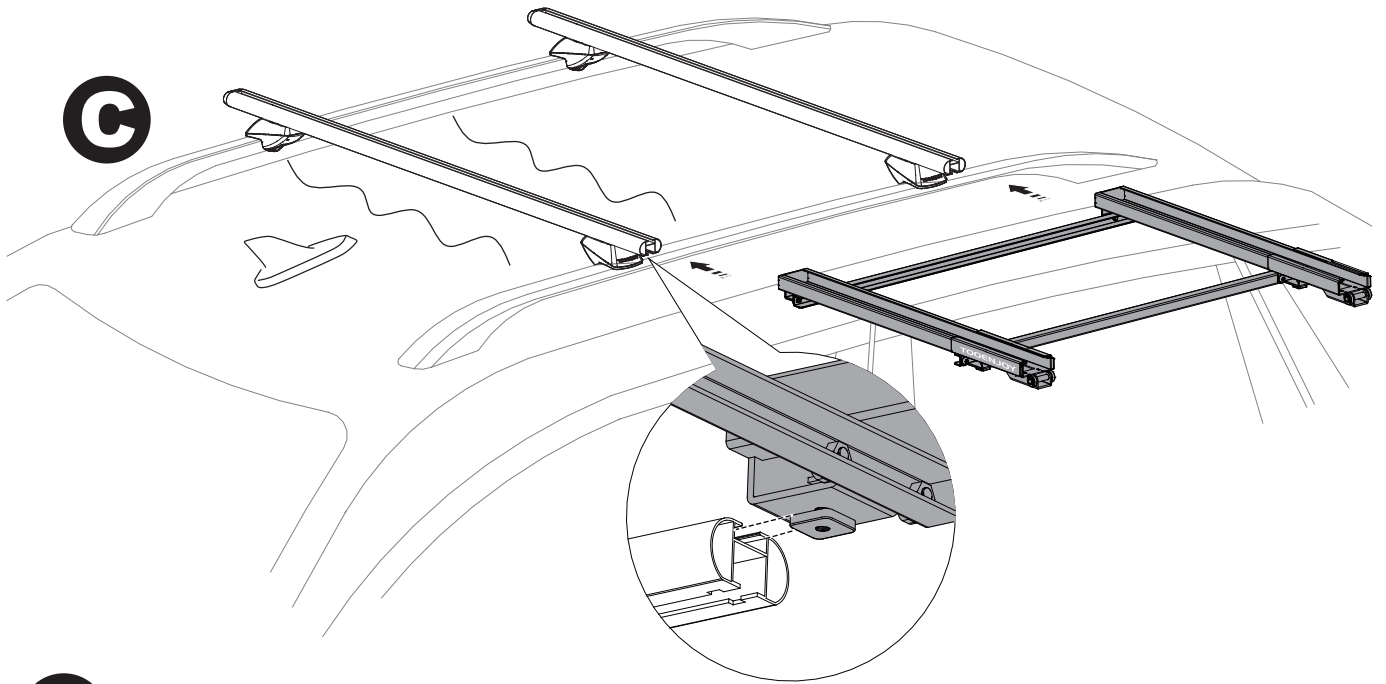
TOOENJOY 301 series roof racks or other roof racks Installation



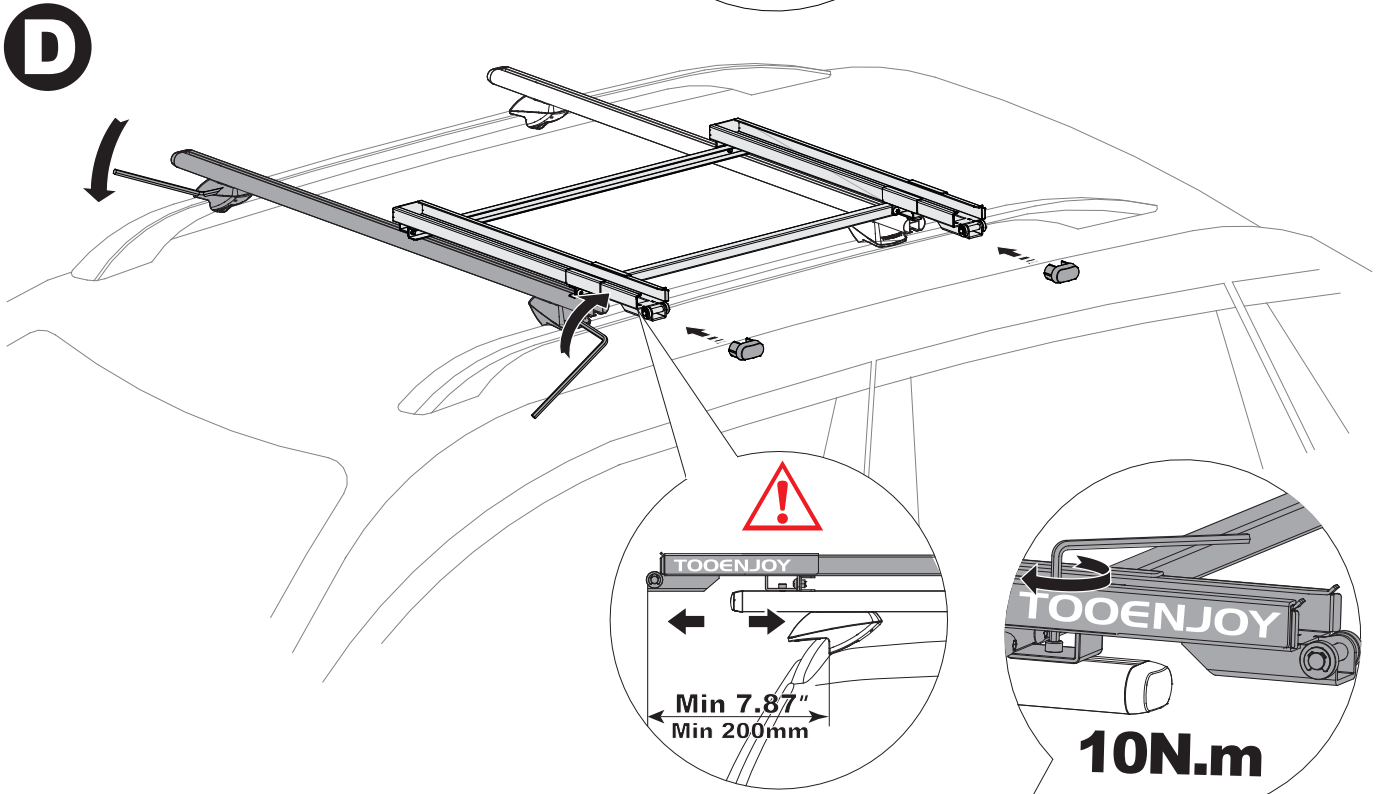
B



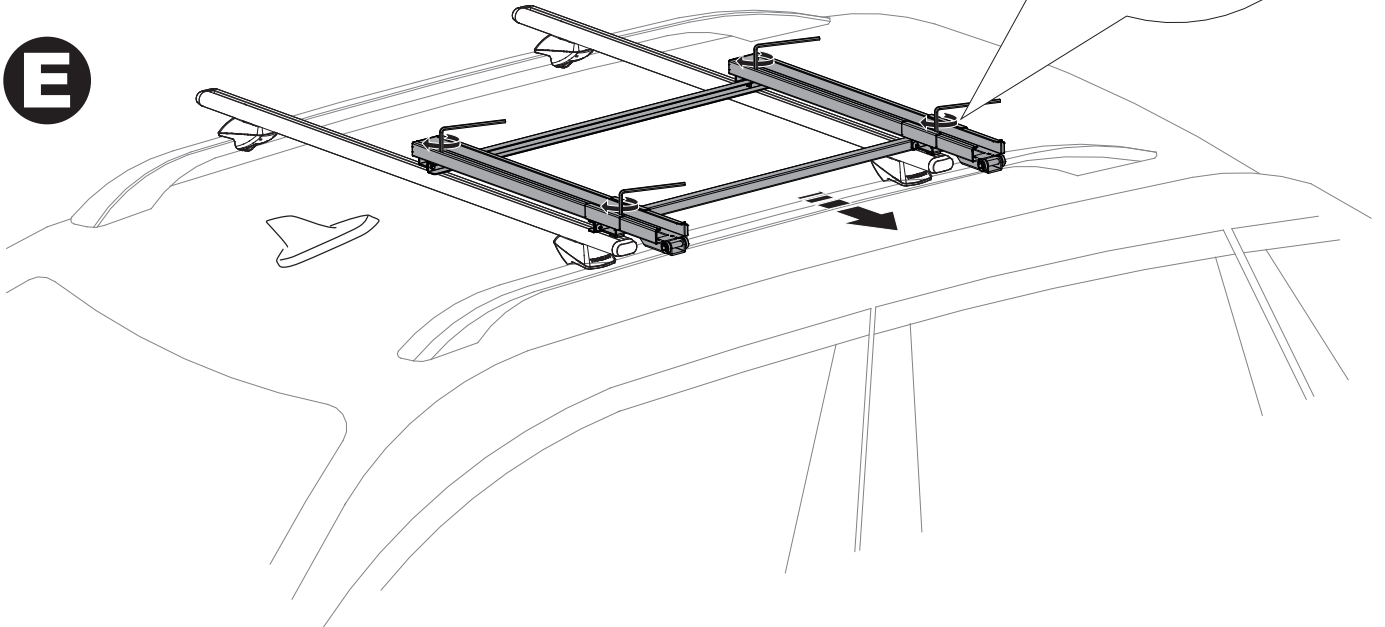
C



D



E



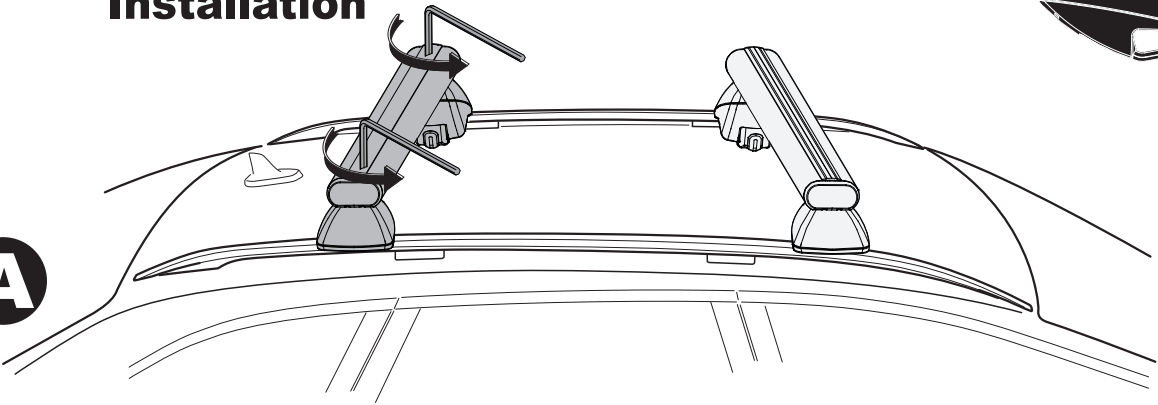
6

2 TOOENJOY 304 series roof racks

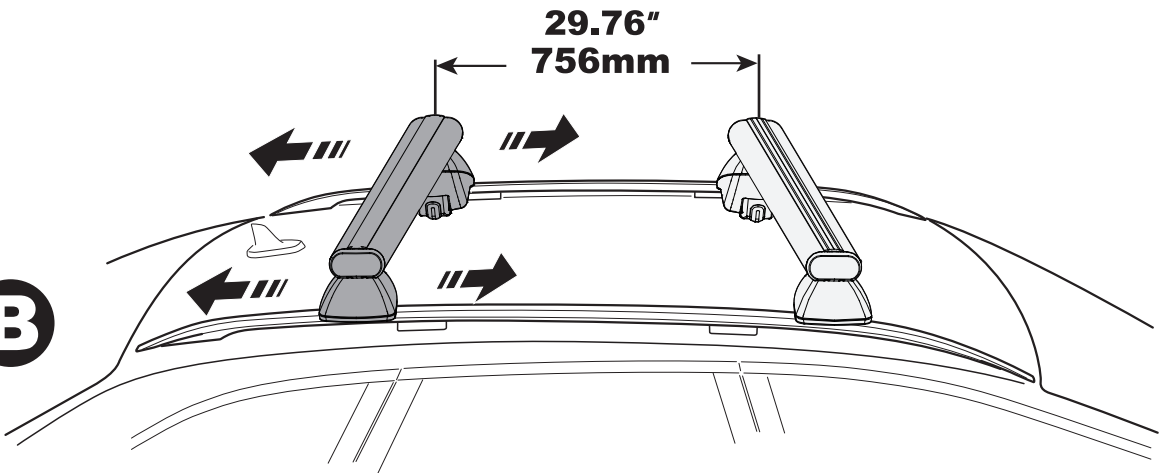
Installation



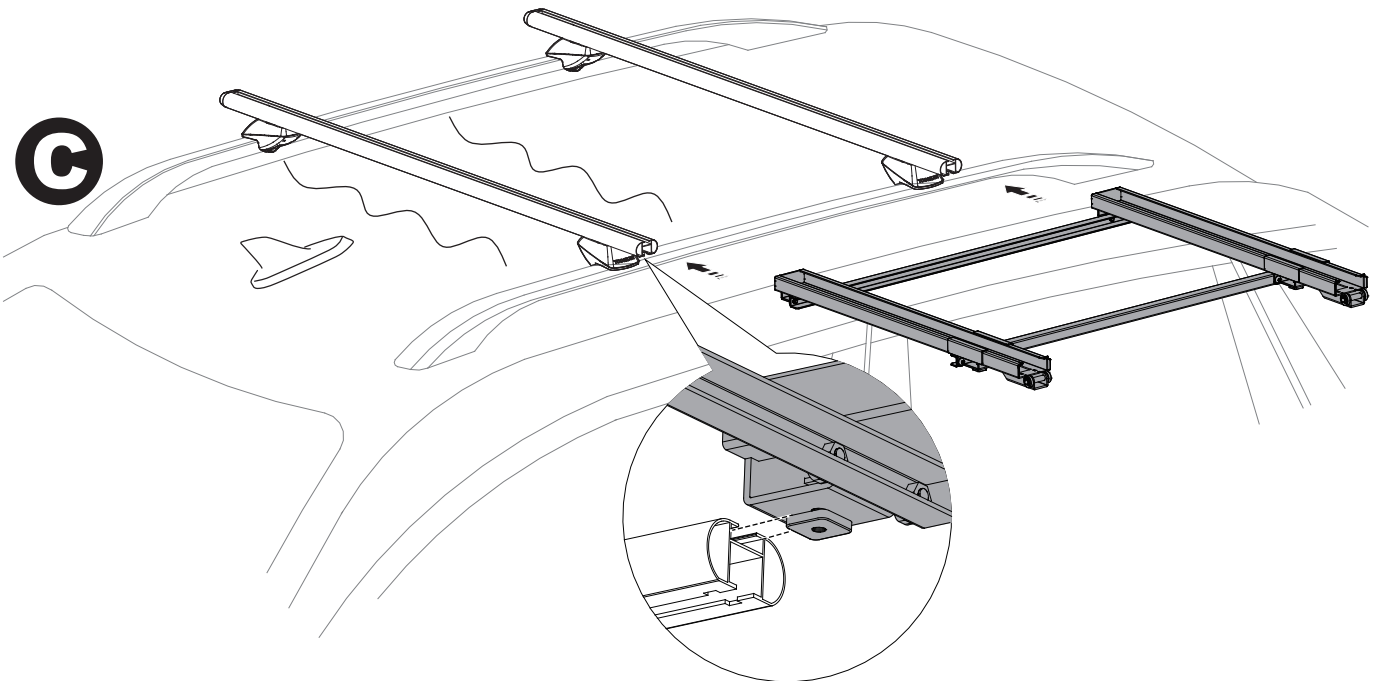
A

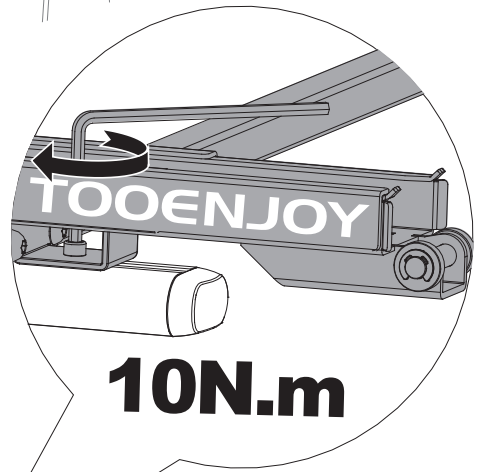
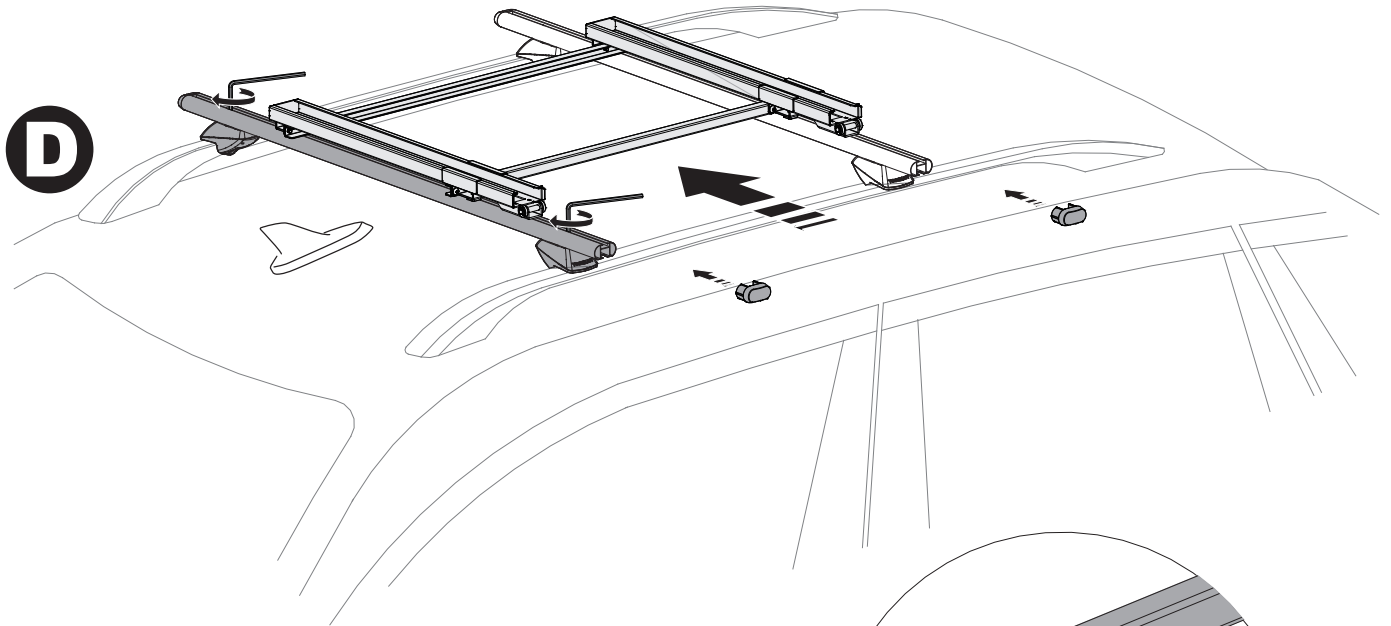


B

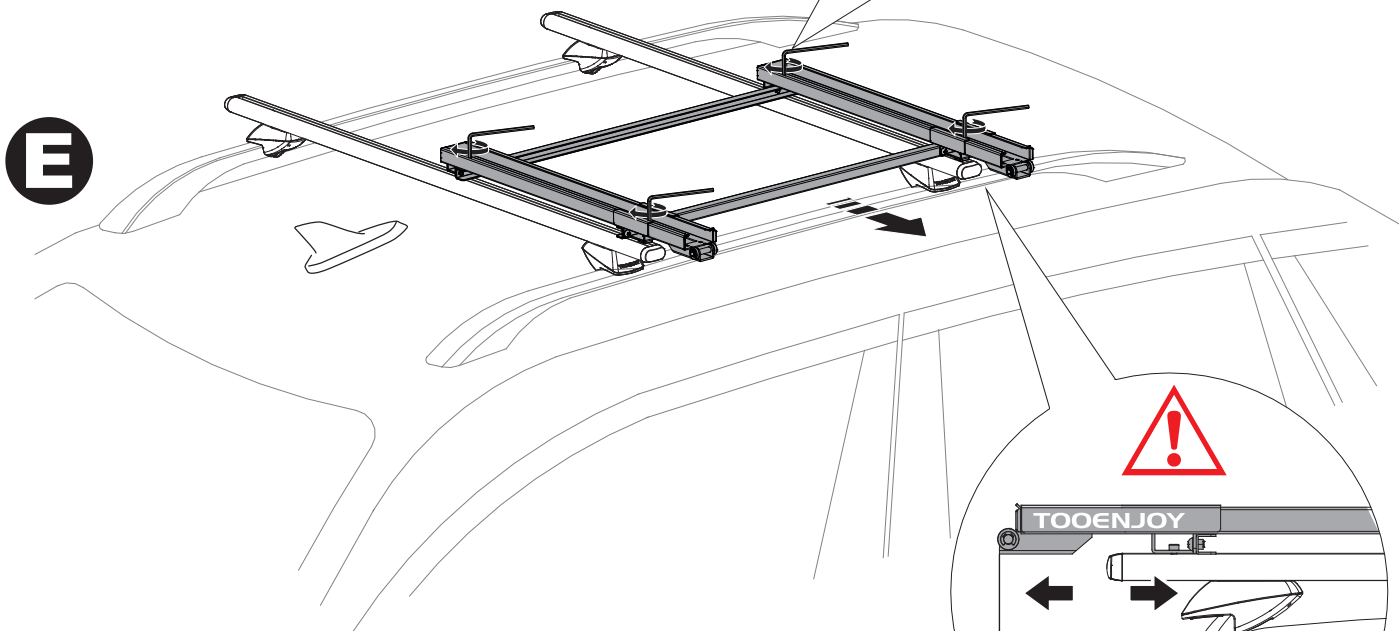


C

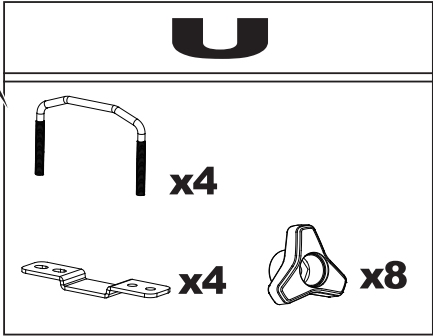
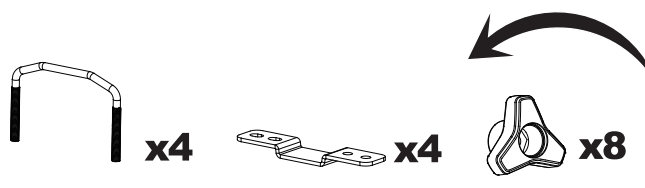
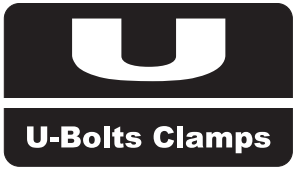




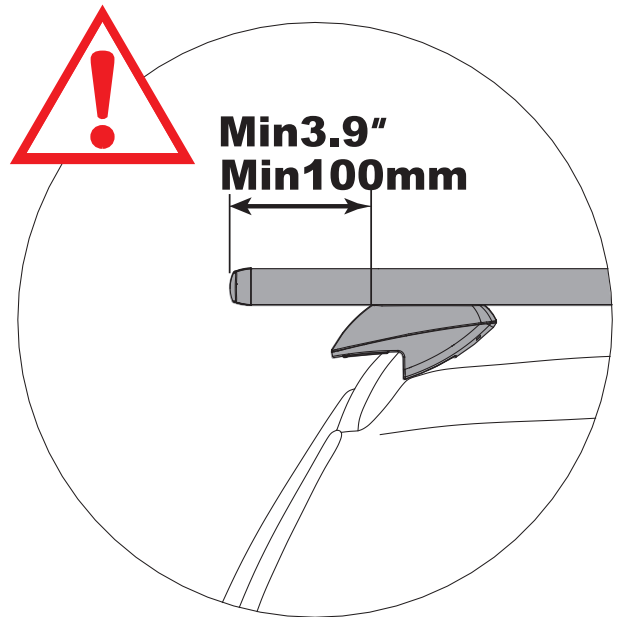
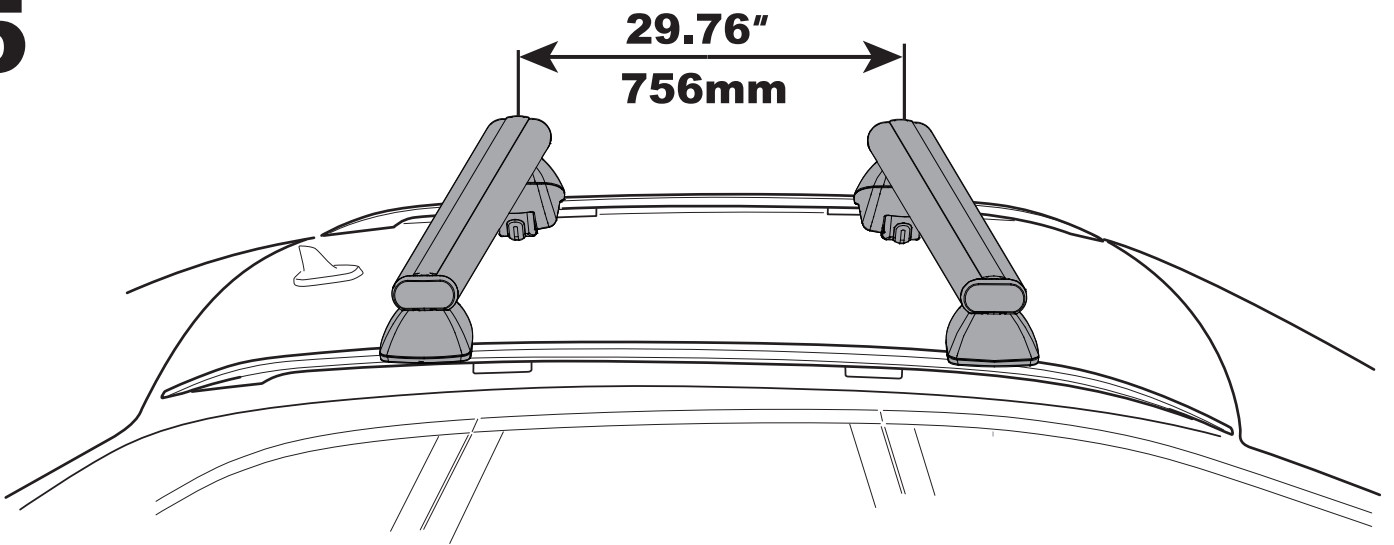
10N.m



Min 7.87"
Min 200mm

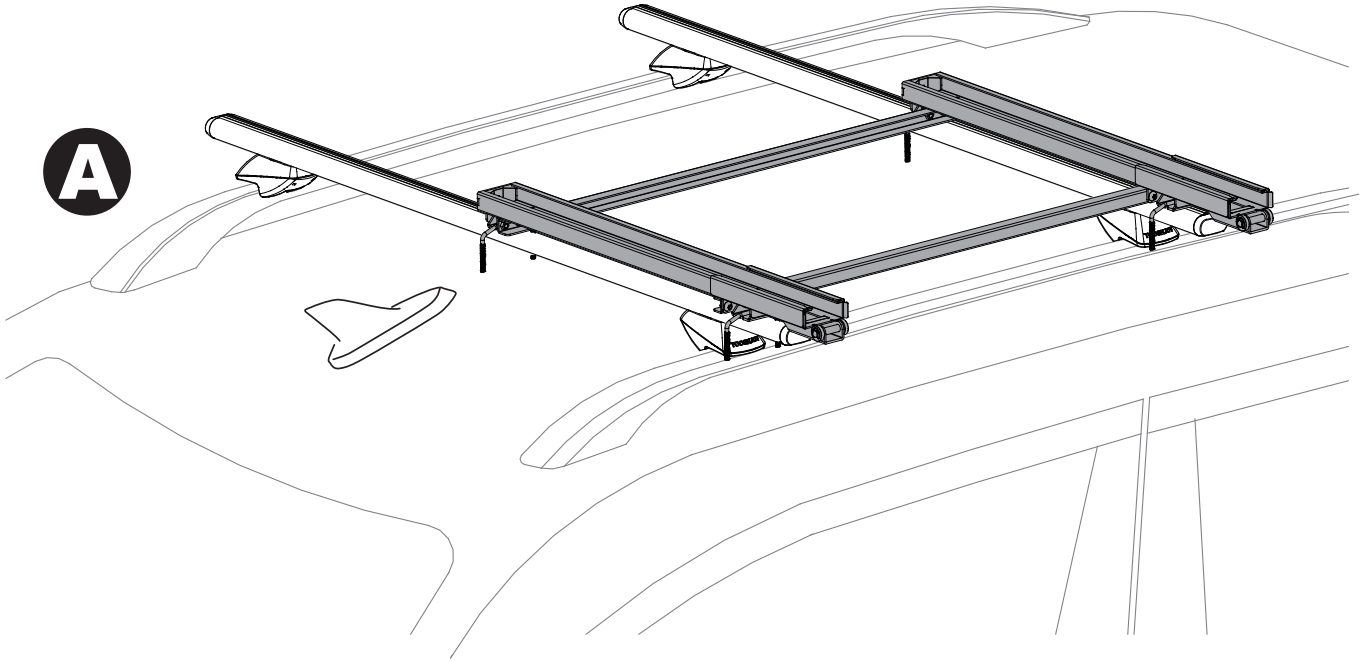


5

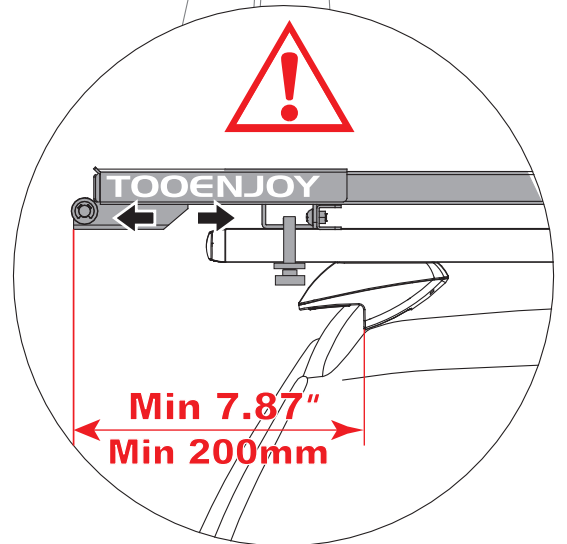
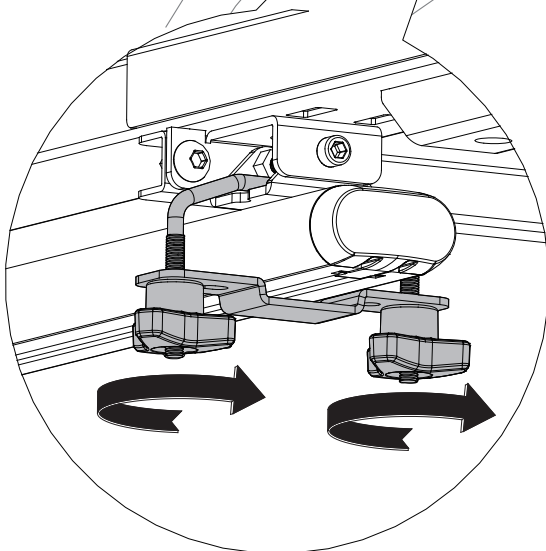
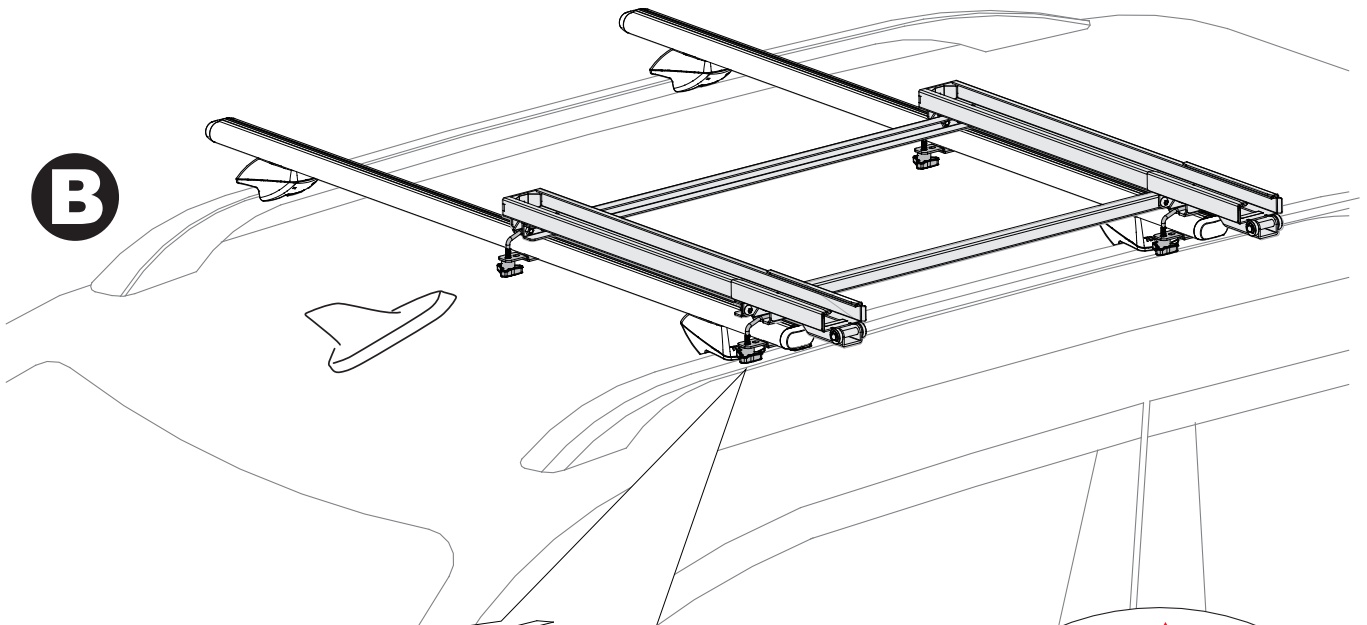


6

A

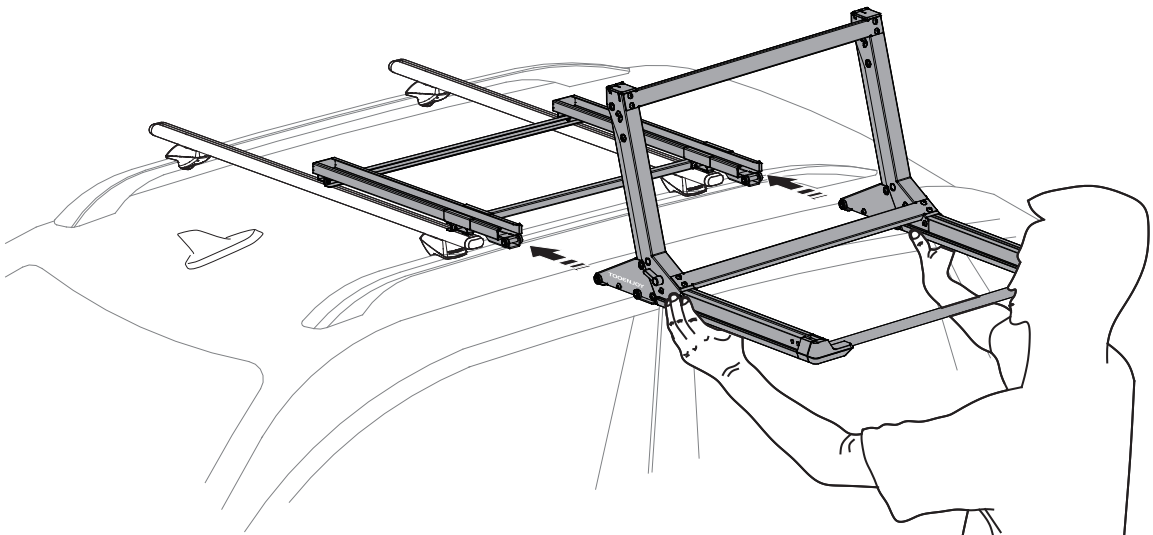


B

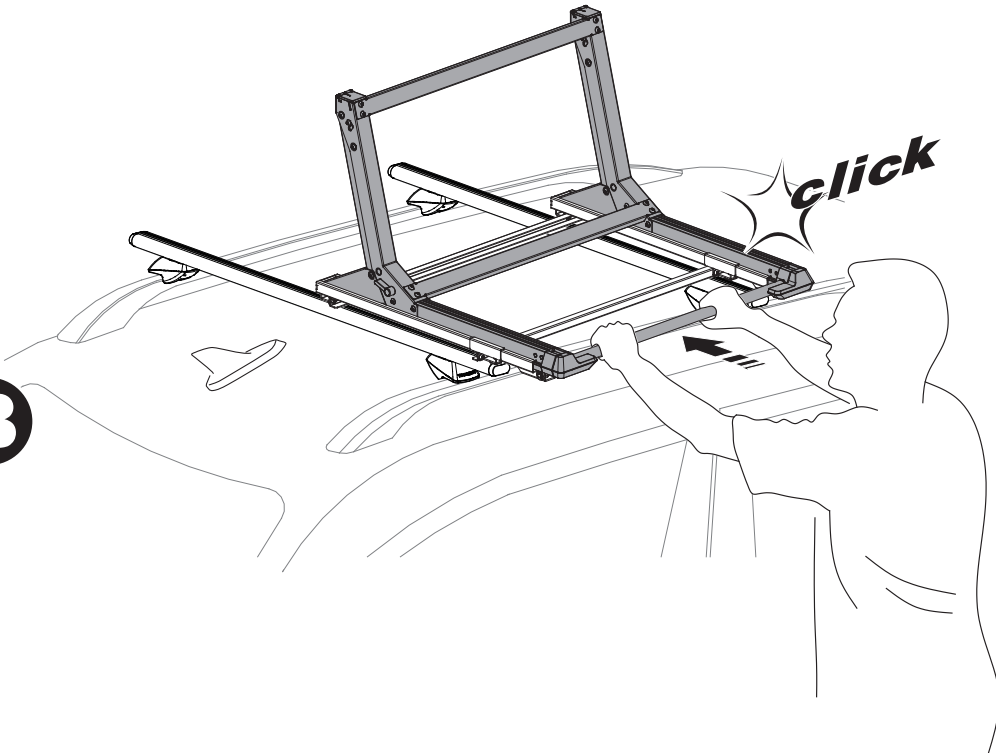


7

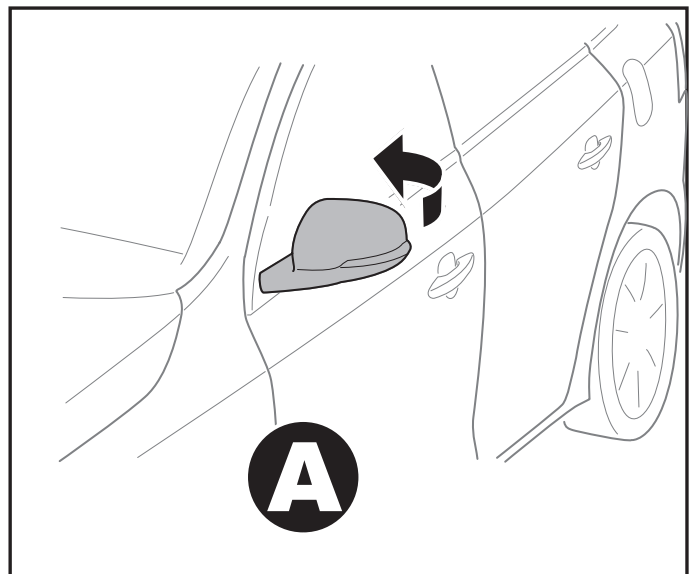
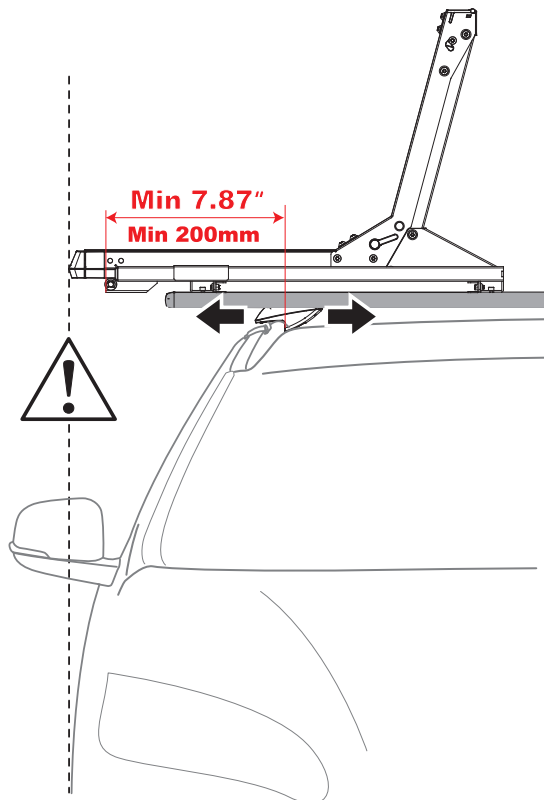
A



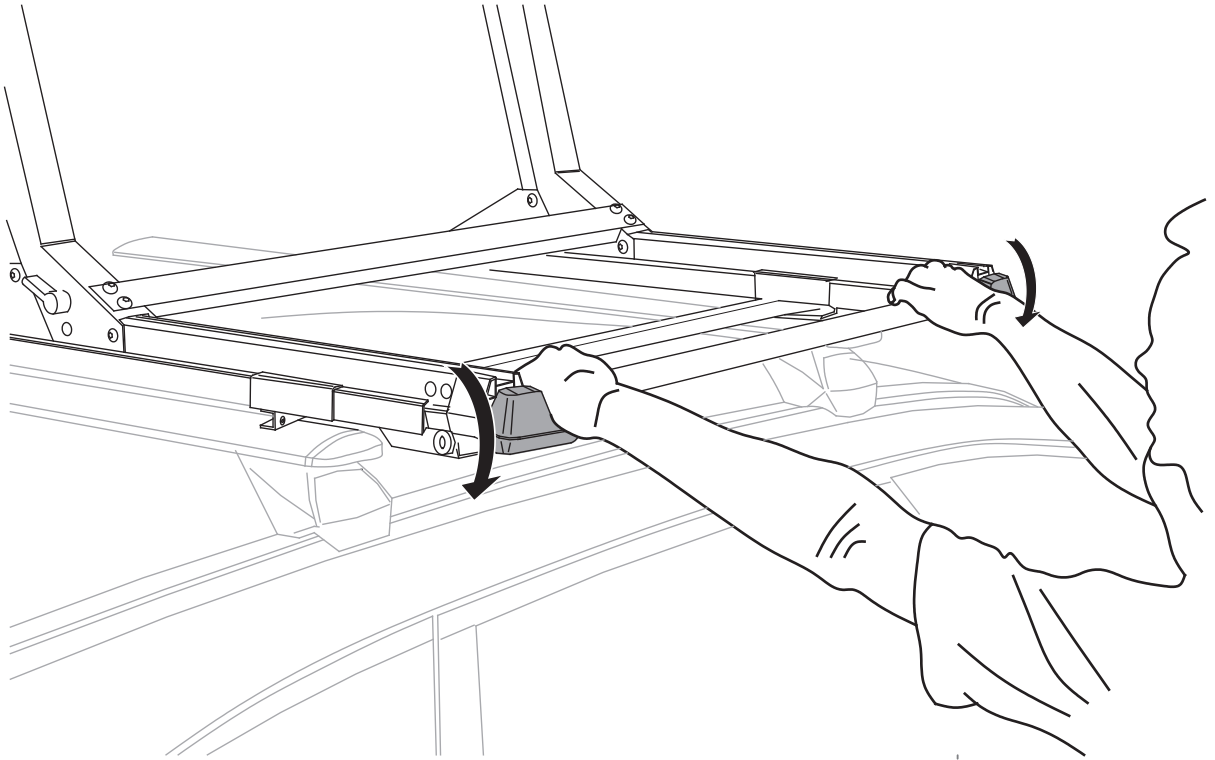
B



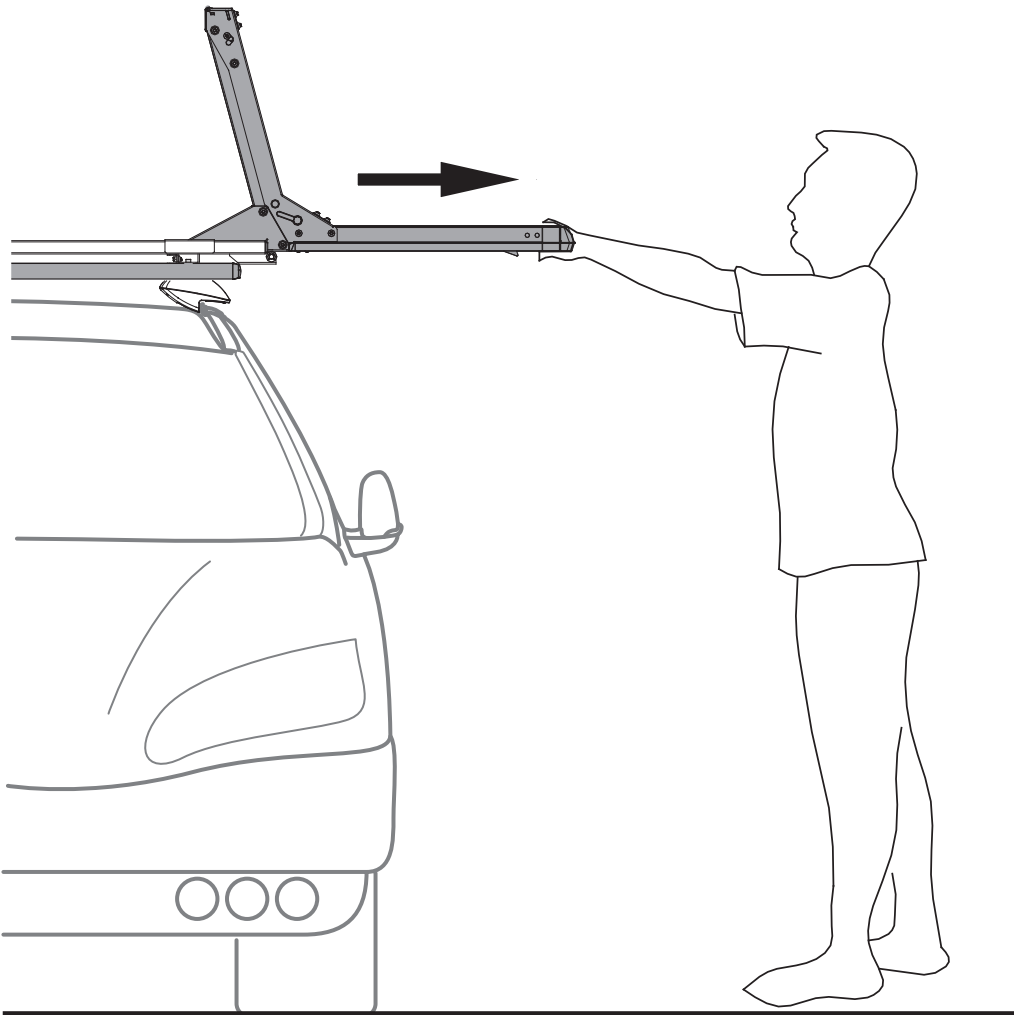
8

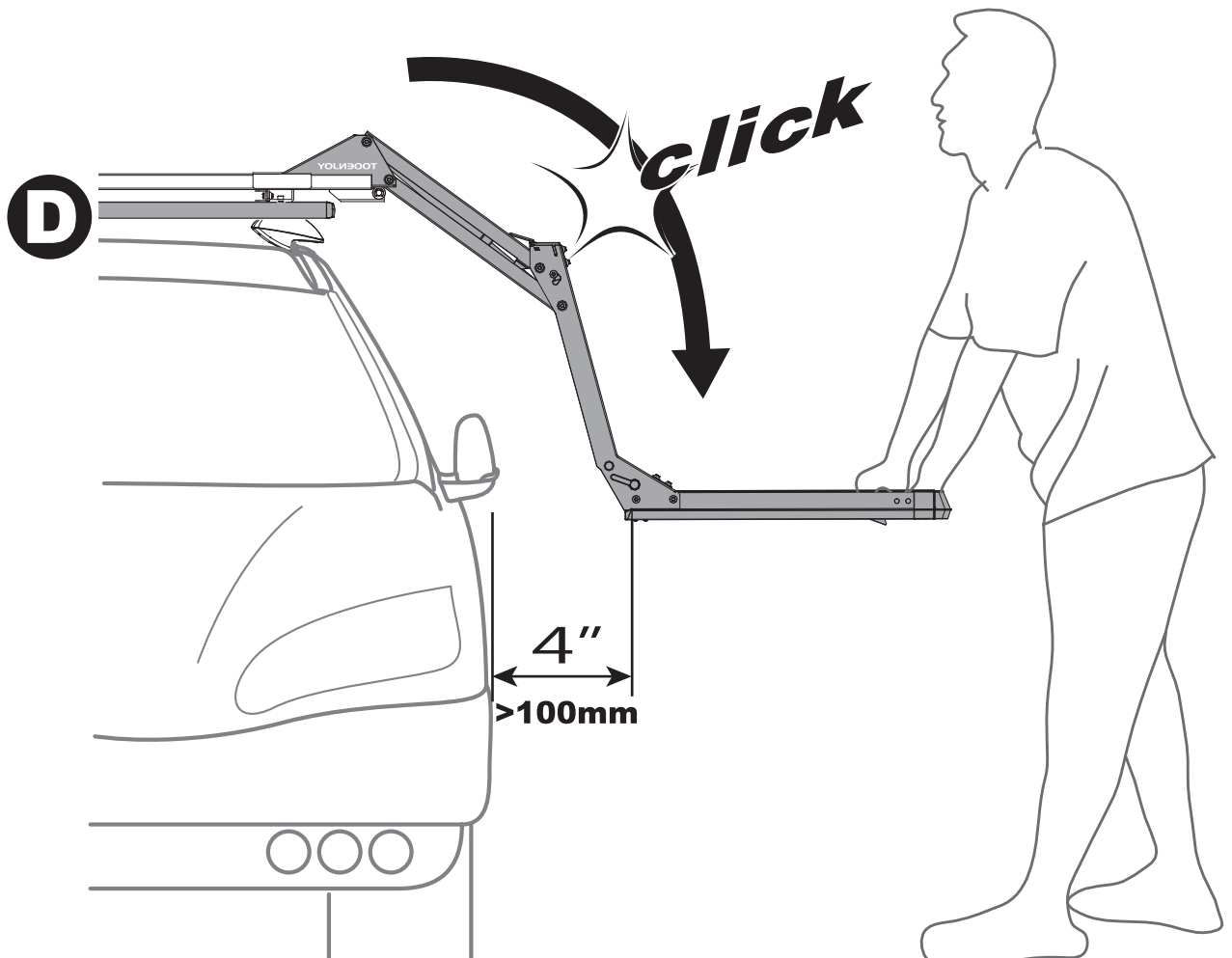


B



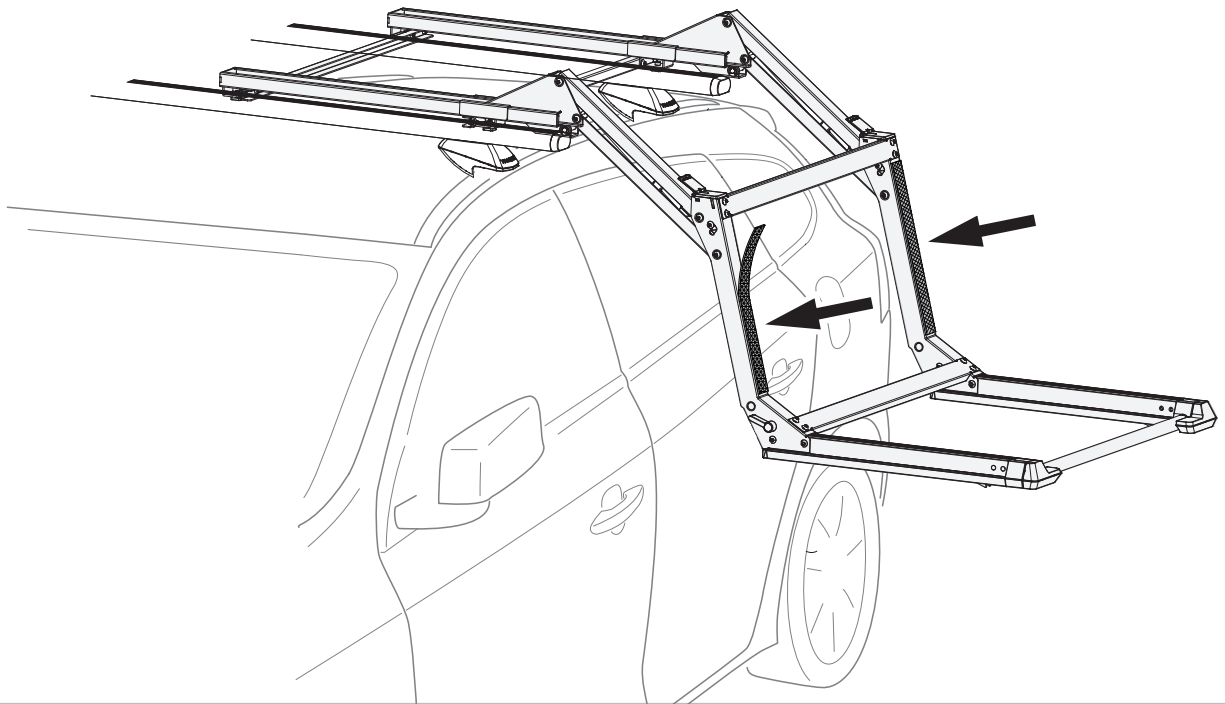
C





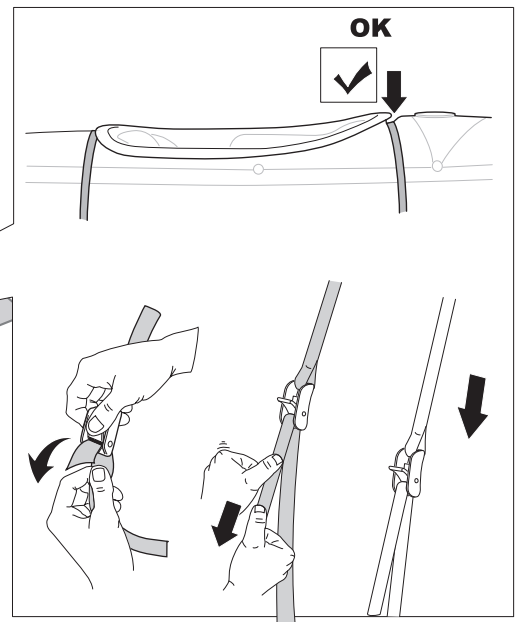
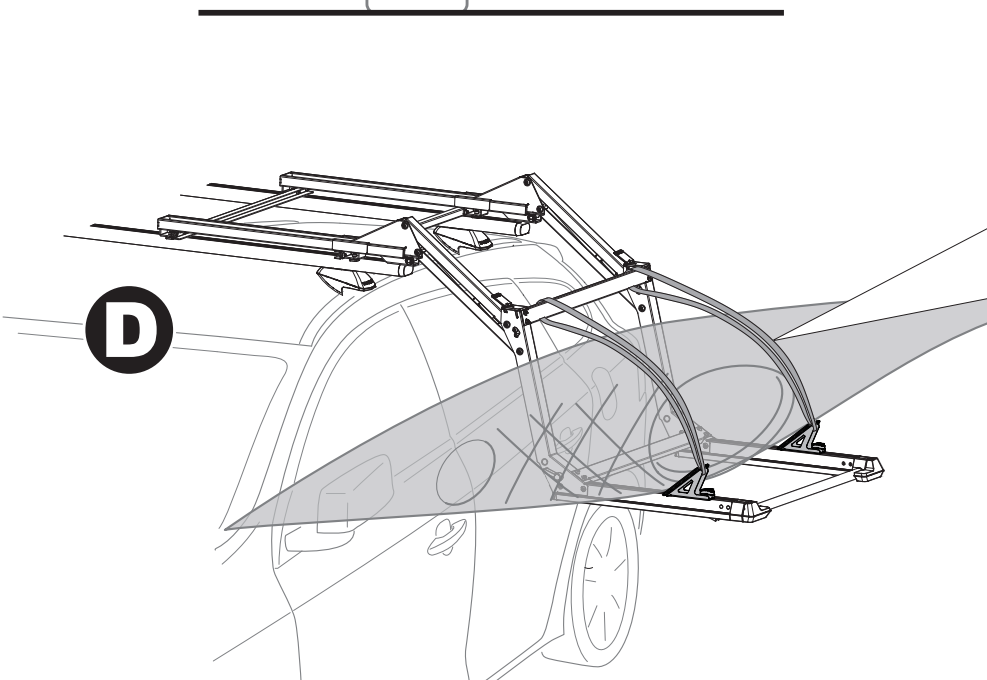
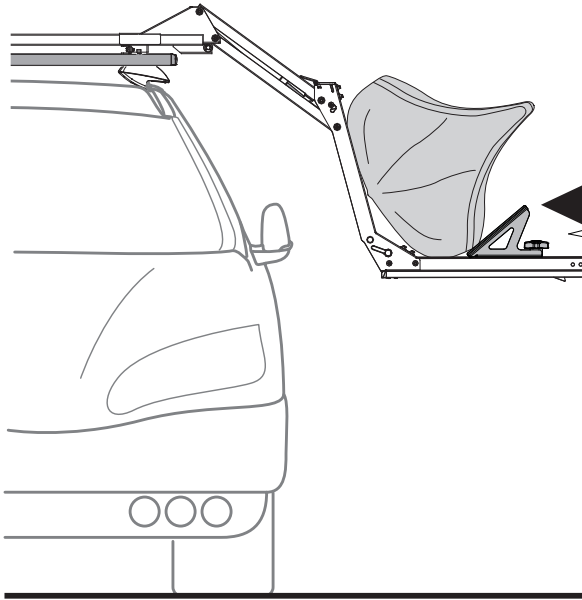
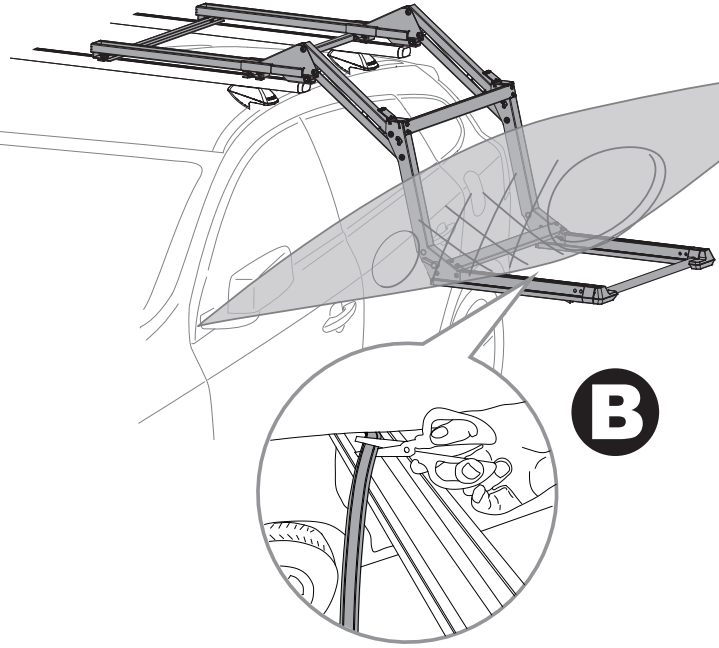
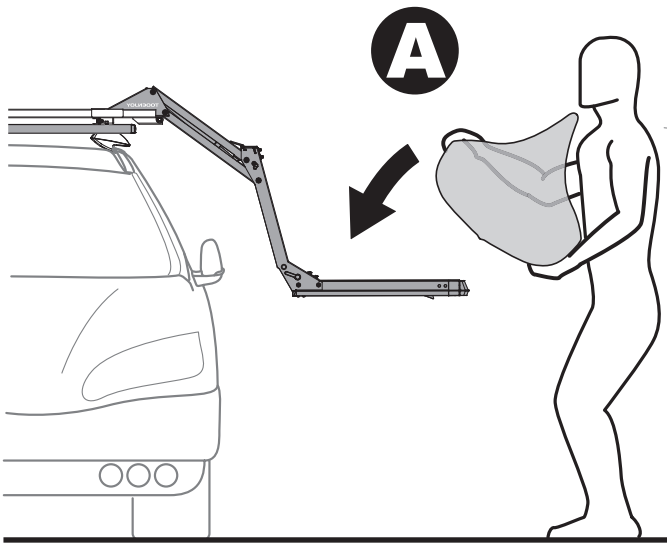
Kayak

1

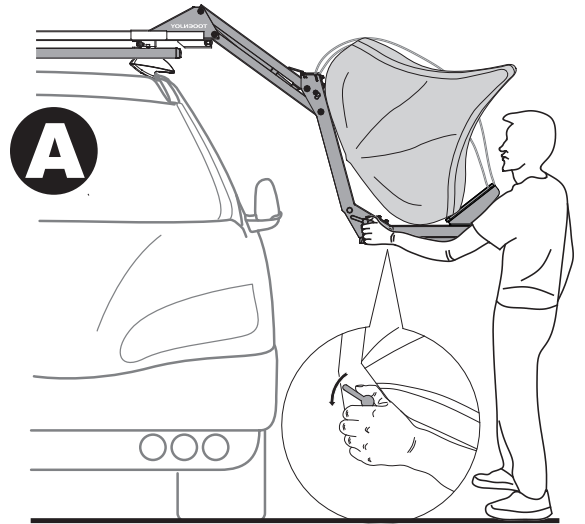
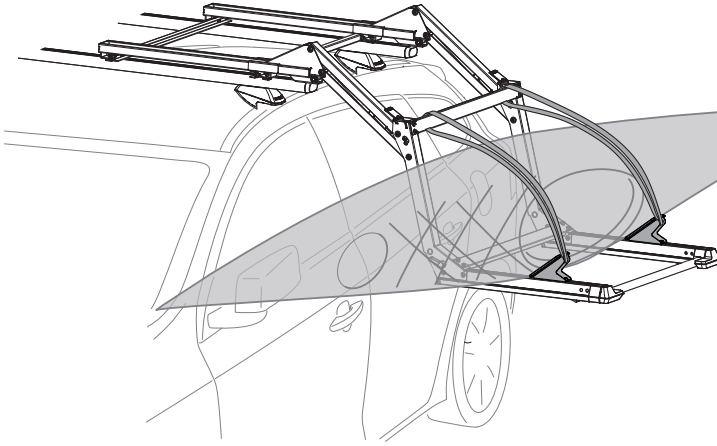


- A. If possible, fold side view mirror against vehicle before loading items.**
- B. Lower arm slowly to ensure it does not contact side of vehicle.**
- C. In load position, there should be a MINIMUM of 4" clearance between arm and vehicle. Heavier items may require more clearance.**
- D. If clearance is insufficient, extend load bars further from foot before items.**
- E. This lifting frame can only be installed with T screw products**

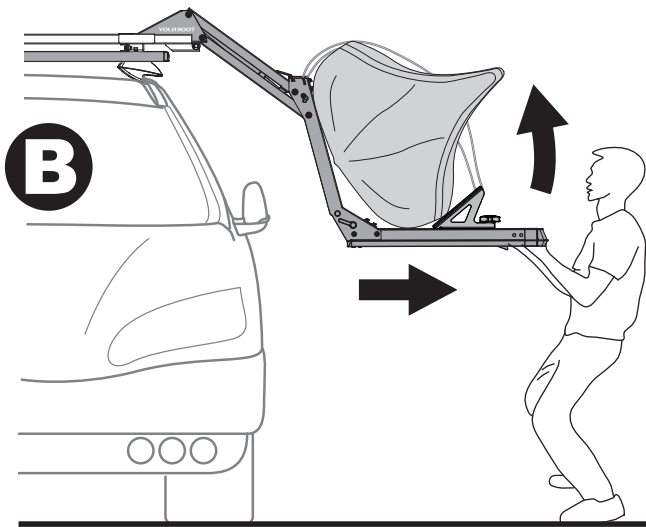
2



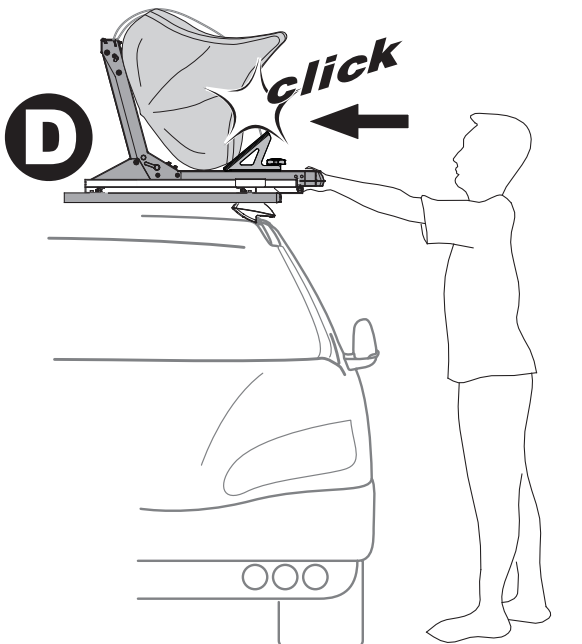
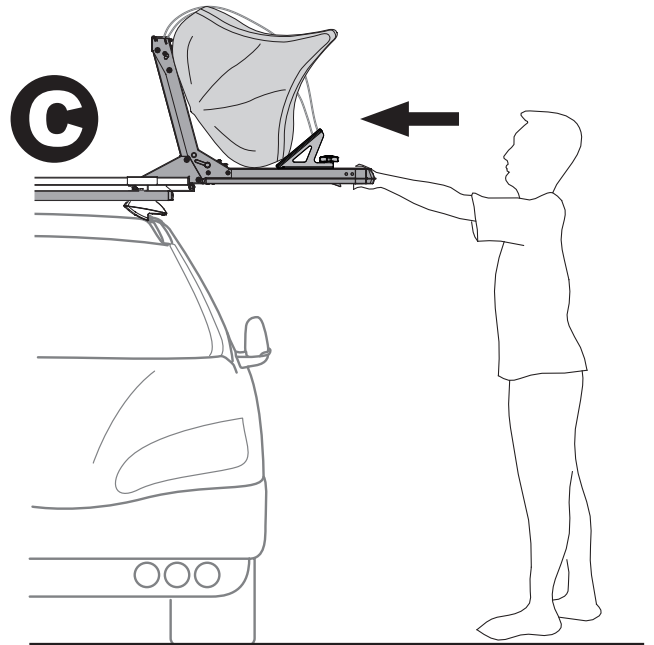
3




 **Make sure to press the unlock buttons on the left and right sides before lifting**



 **Pull to the outside And then lift it up**




Lift and slide to the finish line to hear the click of the lock to complete
After locking hands shaking test, can not pull out to prove safety