

Professional Series
Pizza Oven Box

Wood fired performance on your grill

Série Professionnelle
Boîte de four à pizza

Un résultat au goût de feu de bois sur votre barbecue

Línea Profesional
Horno Para Pizza

El mismo rendimiento que un horno a leña.

Product Guide • Guide D'Utilisation • Guía de Productos

Important, Retain for Future Reference: Read Carefully
Important, le conserver pour référence Itérieure: Lisez attentivement
Importante, Guarde para referencia futura: Lea atentamente



WARNING: Read Product Guide before using your Pizza Oven Box. Failure to follow the safety precautions and instructions could result in serious injury and/or property damage.

NOTICE: All surfaces including grill grates, firebox and grease tray on grill must be cleaned prior to each use of the Pizza Oven Box.

AVERTISSEMENT: Lisez le guide du produit avant d'utiliser votre Boîte-four à pizza. Le non-respect des consignes de sécurité et des instructions peut occasionner des blessures grave ainsi que/ou causer des dégâts matériels.

MISE EN GARDE : Toutes les surfaces, y compris les grilles, le foyer et la plateau de récupération des graisses doivent être nettoyés avant chaque utilisation de la Boîte-four à pizza.

ADVERTENCIA: Lea el manual de producto antes de utilizar su horno para pizza. Si no se siguen las precauciones de seguridad e instrucciones, se pueden provocar lesiones graves y/o daños materiales.

AVISO: Todas las superficies incluidas rejillas, caja de fuego y bandeja para grasa de la parrilla deben limpiarse antes de cada uso del Horno Compacto para Pizzas.

English	1
Français	17
Español	34

Safety Precautions – read before using Pizza Oven Box

To minimize the risk of serious burn injuries or property damage, follow the safety precautions below when using the Pizza Oven Box:

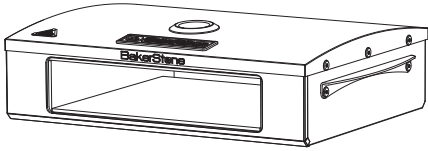
- ⚠ ONLY USE YOUR PIZZA OVEN BOX ON A PROPERLY MAINTAINED, WELL VENTILATED OUTDOOR GRILL WITH THE LID FULLY OPENED AT ALL TIMES. ALL SURFACES INCLUDING GRILL GRATES, FIREBOX AND GREASE TRAY ON GRILL MUST BE CLEANED PRIOR TO EACH USE OF THE PIZZA OVEN BOX.
- ⚠ Always wear heat resistant oven mitts or gloves designed for outdoor cooking when handling the Pizza Oven Box.
- ⚠ DO NOT TOUCH THE PIZZA OVEN BOX WHEN IT IS ON THE GRILL, UNTIL IT HAS COMPLETELY COOLED. The black metal housing can reach temperatures of 400°F (200°C) +/- during use.
- ⚠ Do not turn on or preheat BBQ before placing the Pizza Oven Box on the grill.
- ⚠ Do not leave the Pizza Oven Box unattended or allow unsupervised children nearby while the grill is on or coals are hot.
- ⚠ Use only appropriate bake-ware or utensils while baking and cleaning your Pizza Oven Box. Do not use plastic, silicone or glass.
- ⚠ Do not allow food other than Pizza or Bread Dough to contact the stones. Any foods that contain fat, oil or butter (meats, items coated with olive oil, cookies, biscuits, etc.) should not contact the stones directly. These items should be baked in a metal baking pan, on a metal baking sheet or in a cast-iron skillet as the stones will absorb the fat, oil and butter which can cause smoking, odors, staining, and can impart rancid flavors to items that you bake in the future.
- ⚠ Stones are fragile and can break if dropped. THE PIZZA OVEN BOX BECOMES EXTREMELY HOT, DO NOT TOUCH THE STONES OR ANY OTHER PART OF THE PIZZA OVEN BOX WHILE IT IS IN USE.
- ⚠ To clean stones, heat the Pizza Oven Box for 15 minutes after food is cooked and scrape off any remaining residue. Do not use any cleaning agents or other liquids to clean the stones.
- ⚠ DO NOT REMOVE PIZZA OVEN BOX FROM GRILL UNTIL IT IS COMPLETELY COOL. Allow at least 90 minutes after turning off grill to remove. If using a charcoal grill additional cooling time may be required. Do not use water or other solvents to aid in cooling the Pizza Oven Box after use.
- ⚠ Do not place gasoline, alcohol, wood products, charcoal or any other combustible material (unless BakerStone approved) in the baking chamber.
- ⚠ The Pizza Oven Box must never be used indoors or for heating purposes.

Table of Contents	Page
What's in the package	3
Assembly of the Pizza Oven Box	4
Pizza Turner Assembly	7
What's Needed to Bake Pizza	8
How To Use the Pizza Oven Box	9
Care Instructions	12
Customer Service	12
Basic Dough Recipe	13
Pizza Sauce Recipe	14
Margherita Pizza Recipe	15
Roasted Pork Loin Chops Recipe	16
Frequently Asked Questions	17

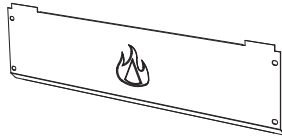
Product Guide

Before assembling your Professional Series Pizza Oven Box, ensure that all parts below are included.

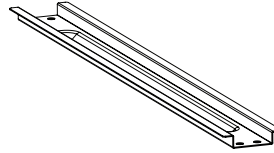
A x1
Housing



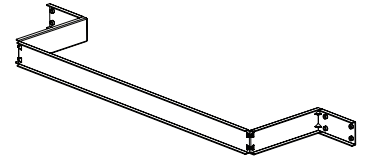
B x1
Back Panel



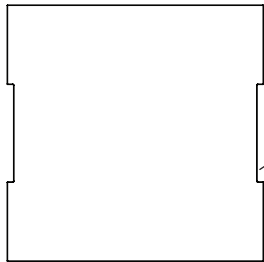
C x2
Stone Supports



D x2
Stone Cradles

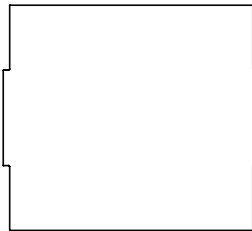


E x1
Top Stone



F x1
Base Stone

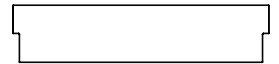
Tab
Notch



G x2
Side Stones



H x1
Rear Stone



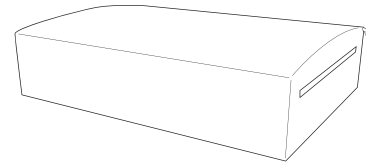
I x12
M4 Flat Washers



K x20
M4x0.7-10
Tapping Screws



L x1
Dust Cover



M x1
Pizza Turner
Handle



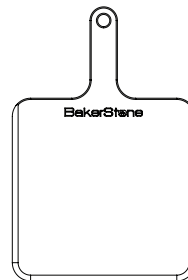
N x1
Pizza Turner
Body



O x2
M4x12
Countersunk
Screws



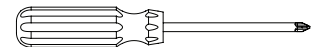
P x1
Wood Peel



Q x1
Rolling Cutter



Tool required for assembly:
#2 Phillips Head Screwdriver

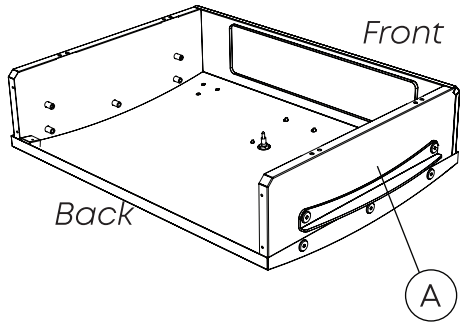


Have a question?

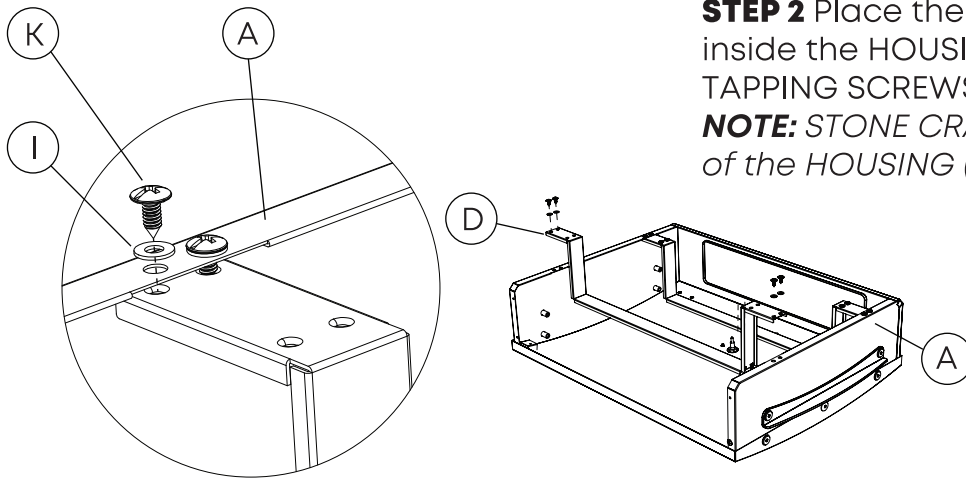
Please Do Not Return This Product To The Store. Contact us first!
1-855-657-6836 or email support@bakerstonebox.com

* NOTE: Dust Cover is intended to protect the Pizza Oven Box from accumulating dust while in storage. Do not store the Pizza Oven Box or Dust Cover outdoors. Dust Cover is not water resistant.

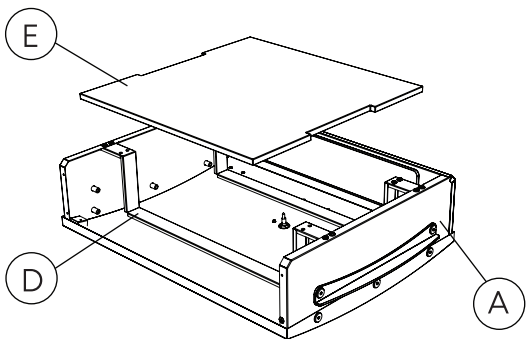
Assembly of the Pizza Oven Box



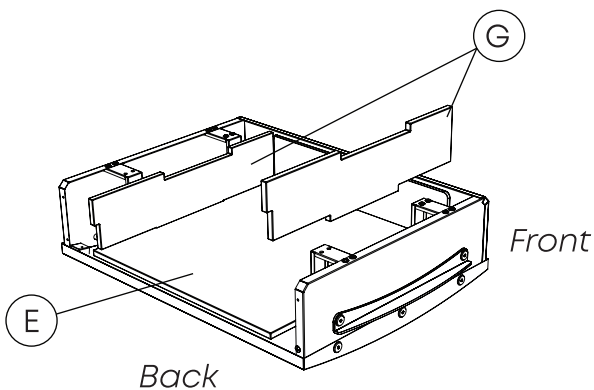
STEP 1 Place the HOUSING (A) carefully upside down on a clean, soft surface. **NOTE:** Failure to do so may result in scratching or denting the Pizza Oven Box.



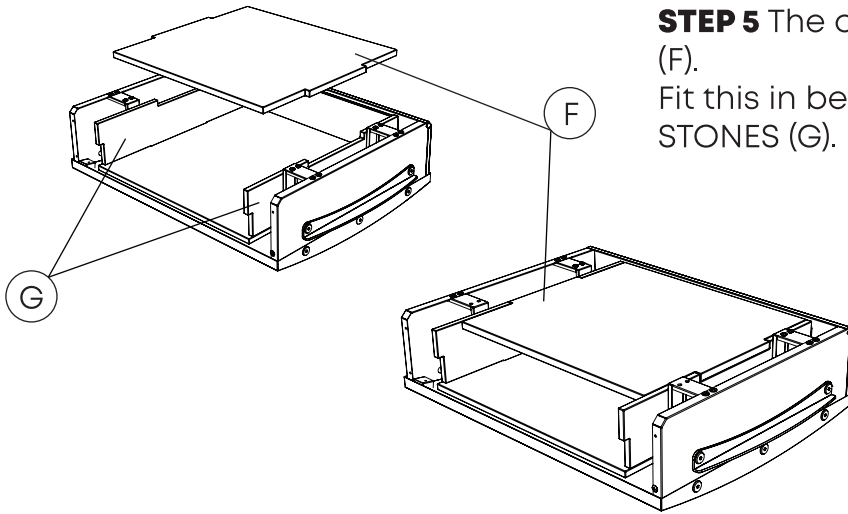
STEP 2 Place the two STONE CRADLES (D) inside the HOUSING (A). Fasten with SELF TAPPING SCREWS (K) and WASHERS (I). **NOTE:** STONE CRADLES (D) rest under the lip of the HOUSING (A).



STEP 3 Identify the TOP STONE (E), this is the largest stone in the box. Gently fit the TOP STONE (E) in between the STONE CRADLES (D) **NOTE:** Slight chips or scratches in the stones are not considered damages and do not affect the performance of the BakerStone Professional Series Pizza Oven Box.

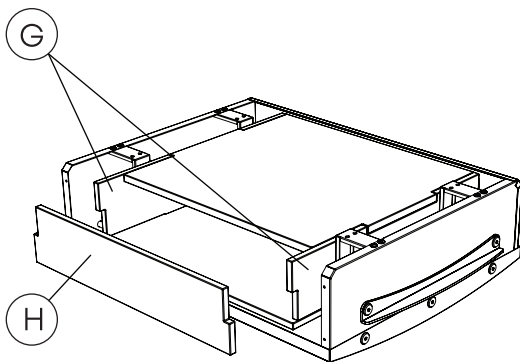


STEP 4 Identify the 2 SIDE STONES (G). Fit the 2 SIDE STONES into the notches of the TOP STONE (E). **NOTE:** The flat end of the SIDE STONES (G) should face the Front of the Pizza Oven Box.

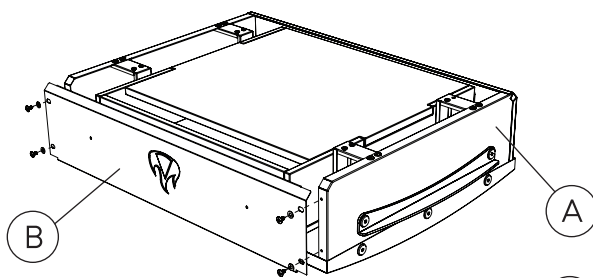


STEP 5 The other large stone is the BASE STONE (F).

Fit this in between and on top of the 2 SIDE STONES (G).

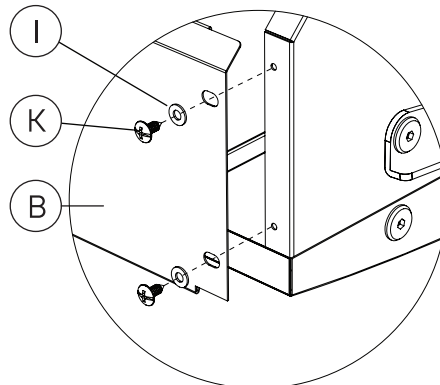


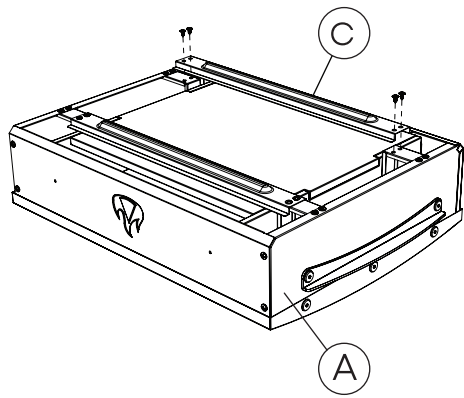
STEP 6 Fit the remaining REAR STONE (H) into the notches of the 2 SIDE STONES (G).



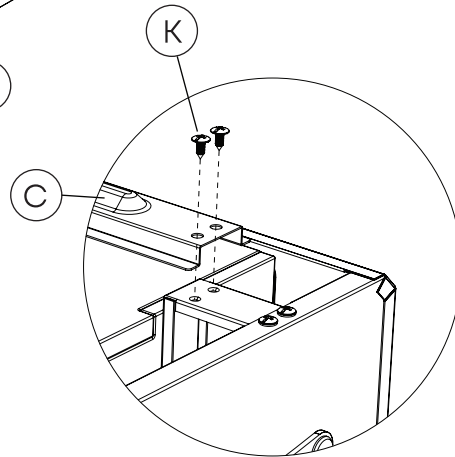
STEP 7 Place the BACK PANEL (B) onto the HOUSING (A) and secure with 4 SELF TAPPING SCREWS (K) and 4 FLAT WASHERS (I).

NOTE: Do not overtighten screws; cracking of the enamel finish may occur.



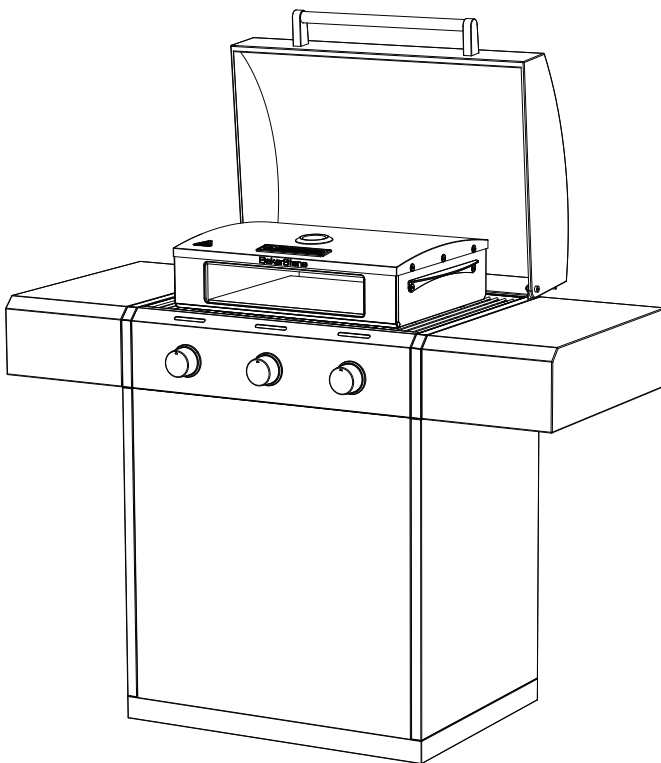


STEP 8 Place the STONE SUPPORTS (C) across the HOUSING (A), and secure with SELF TAPPING SCREWS (K). **NOTE:** The flat side of the STONE SUPPORTS (C) faces toward the stones and the protruding ridge faces up. **NOTE:** Do not overtighten screws, breakage of stones may occur.



STEP 9 Turn the PROFESSIONAL SERIES PIZZA OVEN BOX over and place on grill when ready to bake. **NOTICE:** Remove the warning sticker before placing on gas grill.

NOTE: Before using your Pizza Oven Box for the first time, wipe the base stone with a damp cloth to remove any packaging debris.

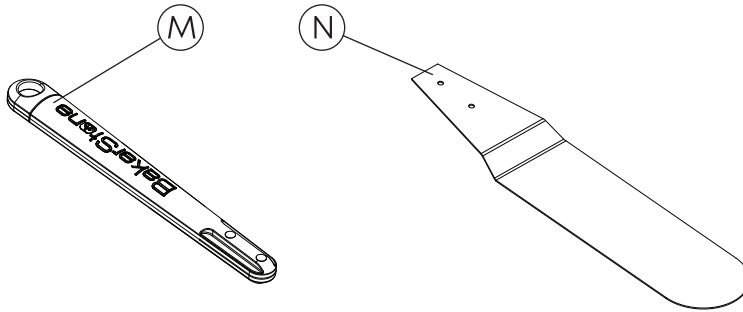


Note: Grill not included.

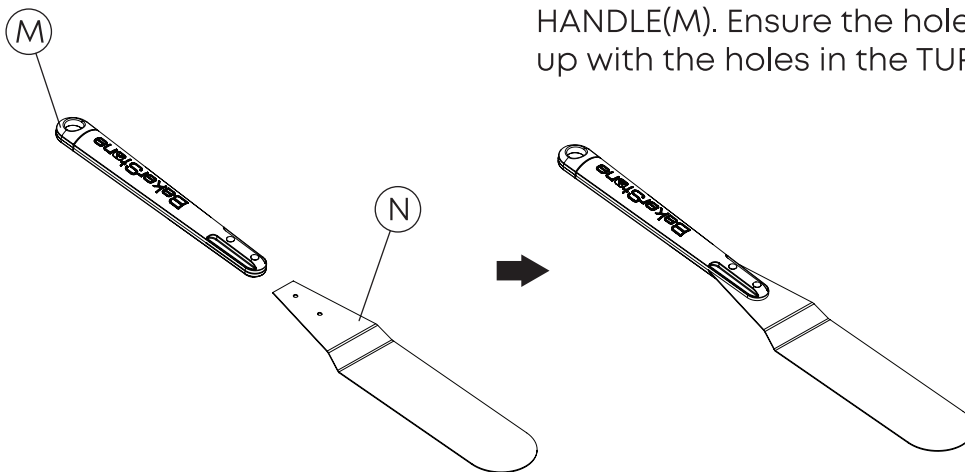
NOTE: If your Pizza Oven Box does not reach the proper baking temperature, your grill may utilize extra heat tents or Flavorizer® bars. These components sit between the cooking grate and the burners and deflect the heat from the burners downward. Once your grill has completely cooled, remove these pieces and try again. If you have an infrared grill, you will need to remove the heat shield that sits between the cooking grate and burners as this shield will block the heat from reaching the Pizza Oven Box.

Pizza Turner Assembly

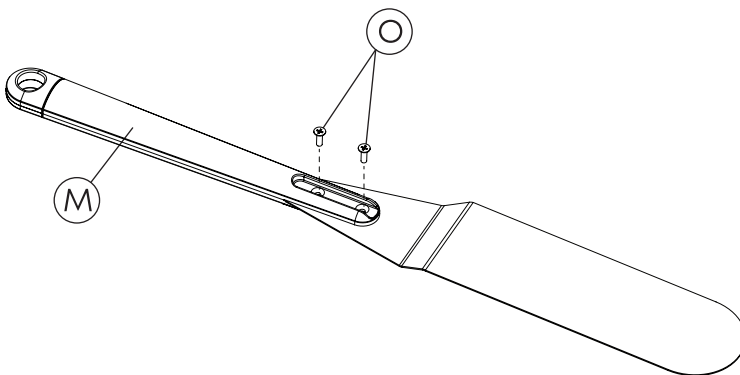
STEP 1 The Pizza Turner requires assembly prior to use. Locate the TURNER HANDLE(M) and TURNER BODY(N) in the Accessory Kit box.



STEP 2 Insert the TURNER BODY(N) into the TURNER HANDLE(M). Ensure the holes in the TURNER BODY(N) line up with the holes in the TURNER HANDLE(M).



STEP 3 Install the two COUNTERSUNK SCREWS(O) into the bottom side of the TURNER HANDLE(M), tighten until snug.



This is what is needed to create a gourmet pizza.

Ingredients	Notes
Pizza Dough*	Store bought or home made.
Pizza Sauce	Store bought or home made.
Cheese	Fresh mozzarella is excellent or you can use your favorite cheese.
Herbs, Spices and Salt	Use Fresh Basil or Oregano and a nice Sea Salt.
Olive Oil	Use a good quality Extra Virgin Olive Oil for best flavor.
Toppings	Use chopped/sliced vegetables, pre-cooked meats, etc. Get creative!

* Ready to use pizza dough is available in many supermarkets, grocery stores, pizzerias, and gourmet food shops near you. *Ask for it*; using fresh pizza dough will greatly enhance your BakerStone pizza experience. With a little practice, you'll be creating your own gourmet pizza in no time at all!

Equipment	Notes
3-burner or larger gas grill	
BakerStone Pizza Oven Box	
Wooden Pizza Peel	This is an inexpensive tool that will make all the difference in your quest for creating your own gourmet pizza. A Wooden Pizza Peel dusted with flour will enable you to prepare and top your pizza and then easily launch them into the Pizza Oven Box with success and confidence time and time again.
Pizza Turner	Another inexpensive yet indispensable tool, the Long-Handled Spatula or Pizza Turner will enable you to effortlessly rotate and tend to your gourmet pizza or other bread items while they bake in the Pizza Oven Box.
Metal Pizza Peel	The final quintessential tool in your quest for creating your own gourmet pizza is the Metal Pizza Peel. This thin bladed tool allows you to expertly remove and transport your gourmet pizza to your adoring fans.

How to use your Pizza Oven Box

⚠ WARNING: Please completely read all safety precautions at the beginning of and throughout this guide before using your Pizza Oven Box. The Pizza Oven Box becomes extremely hot and can cause burns. Failure to follow precautions when using the Pizza Oven Box can result in serious injury and/or property damage.

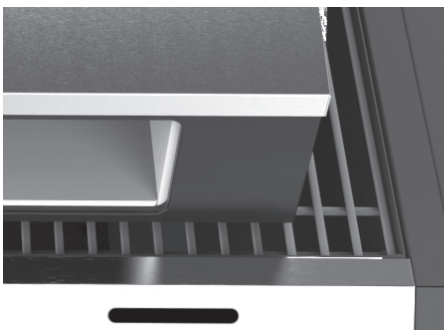


STEP 1 Open the lid on the gas grill that will be used with the Pizza Oven Box. **WARNING: Gas grill lid must remain OPEN AT ALL TIMES** while the Pizza Oven Box is on the grill. **NOTICE: If your BBQ/Grill configuration includes a HOT PLATE (Griddle), remove this prior to use and center the remaining section of open grill plate in the BBQ/Grill and place the BakerStone Pizza Oven Box on top.** Use of the Pizza Oven Box on infrared grills may require removal of heat emitter between burners and cooking surface to function properly.



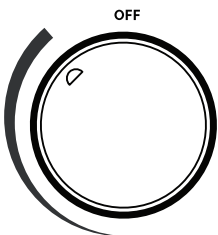
NOTICE: All surfaces including grill grates, firebox and grease tray on grill must be cleaned prior to each use of the Pizza Oven Box.

STEP 2 Place the Pizza Oven Box on the cooking grate of the grill, leaving a 0.5”(1.2cm) space between the front edge of the Pizza Oven Box and the front edge of the cooking grate of the grill and at least 1”(2.5cm) of space between both side edges of the Pizza Oven Box and both side edges of the cooking grate.



WARNING: Failure to leave the spaces indicated above may result in restricted airflow and improper ventilation for your grill. This could result in serious injury and/or property damage. DO NOT USE THE PIZZA OVEN BOX WITH YOUR GAS GRILL IF YOU CANNOT LEAVE ADEQUATE SPACE FOR VENTILATION AS DESCRIBED ABOVE.

STEP 3 With the gas grill lid completely open and proper spaces surrounding the Pizza Oven Box, light your gas grill as instructed by the gas grill manufacturer.



STEP 4 Set all burners to HIGH and preheat the Pizza Oven Box for 20 minutes.


Note: Grill not included.





Temperature Range Indicator

STEP 5 Adjust the burner settings on the gas grill to obtain the desired temperature range for the foods that are being baked. **NOTE: It will take 15 minutes for the temperature range indicator to function.**

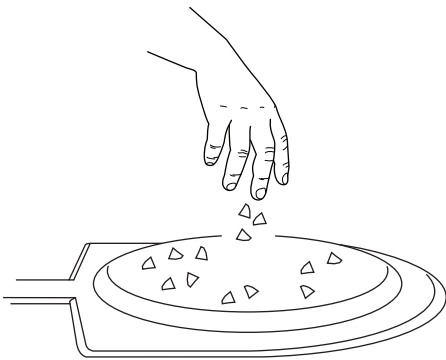
For baking items such as Breads and Cookies, adjust the heat of the grill so that the indicator reads in the  baking zone.

For Pizza and Roasting Meats and Vegetables, adjust the heat so that the indicator reads in the  baking zone.

 = 200°-500°F
93°-260°C

 = 500°-800°F
260°-427°C

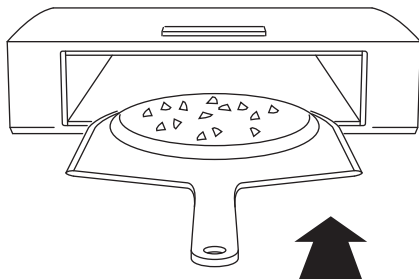
NOTE: Temperature range indicator is not an accurate measuring instrument.



STEP 6 Dust a Wooden Pizza Peel with flour (approximately 2 Tbsp of flour) and spread around board to evenly coat the entire peel. Then, holding the peel at a 45 degree angle over a sink, gently tap the peel to remove the excess flour. **NOTE:** This will ensure that the pizza does not stick to the peel when launching the pizza into the Pizza Oven Box.

STEP 7 Place a hand-stretched or rolled-out pizza dough on the floured Pizza Peel. Create your pizza using your favorite sauce and toppings.

STEP 8 Using the pizza peel, launch your pizza into the Pizza Oven Box.

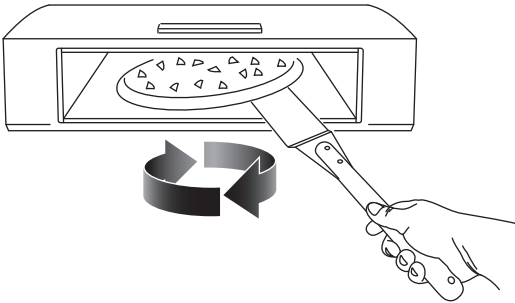


NOTE: This can be accomplished by placing the pizza peel just over half-way into the Pizza Oven Box, and using a quick back and forth shaking motion while sliding the peel out of the Pizza Oven Box. See www.bakerstonebox.com website for a video demonstration.

WARNING: Failure to use pizza peel to insert pizza can result in serious injury.

NOTE: Do not allow food other than Pizza or Bread Dough to contact the stones. Any foods that contain fat, oil or butter (meats, items coated with olive oil, cookies, biscuits, etc.) should not contact the stones directly. These items should be baked in a metal baking pan, on a metal baking sheet or in a cast-iron skillet as the stones will absorb the fat, oil and butter which can cause smoking, odors, staining, and can impart rancid flavors to items that you bake in the future.

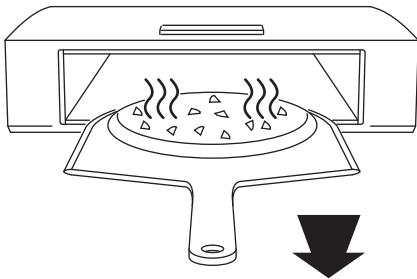
STEP 9 Bake the pizza for 1 minute* to allow the crust to set.



STEP 10 After 1 minute*, use a long spatula or Pizza Turner to rotate the pizza 1/4 to 1/3 turns roughly every 45 seconds*. Bake your pizza for approximately 2-4 minutes*, being careful not to burn your pizza.

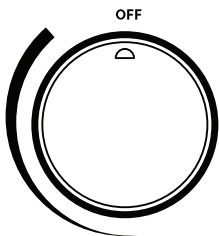
NOTE: The Pizza Oven Box is hottest in the back. Periodically rotate your pizza to ensure it is baked evenly.

WARNING: Touching the Pizza Oven Box anywhere with your bare hand or skin could cause serious injury.



STEP 11 Using a Metal Pizza Peel, remove the fully cooked pizza from the Pizza Oven Box and transfer to a cutting board or serving tray and allow to cool.

NOTE: The pizza will be very hot when you remove it from the Pizza Oven Box. **WARNING:** Removing the pizza with anything but the pizza peel could result in serious injury.



STEP 12 When finished baking, turn the burners on the gas grill to the off position and allow the gas grill and the Pizza Oven Box to cool for a period of at least ninety (90) minutes. **NOTE:** If cleaning is required, leave the burners on and continue to heat the oven for 15 minutes prior to cleaning. After cleaning, turn the burners on the gas grill to the off position and allow the gas grill and the Pizza Oven Box to cool for a period of at least ninety (90) minutes [See Care and Cleaning instructions].

WARNING: Serious injury can occur if the gas grill and Pizza Oven Box are not allowed to completely cool and you touch them.

***Cooking times are provided as basic guidelines. Times can vary depending on weather conditions, gas grill condition and gas grill performance.**

Care & Cleaning

Let the Pizza Oven Box cool completely before removing from gas grill.

Do not use household cleaners or liquids on stones.

Do not use household cleaners on metal housing.

Wipe outer housing with a soft damp cloth only when completely cooled.

After baking your final pizza, you can clean the Pizza Oven Box by letting the burners remain on high for approx 15 minutes. Any residue should burn off and debris can be pushed to the back of the oven.

Darkening of the stone from ingredients or excess flour will occur over time and will not affect baking performance of the Pizza Oven Box.

NOTE: Do not allow food other than Pizza or Bread Dough to contact the stones. Any foods that contain fat, oil or butter (meats, items coated with olive oil, cookies, biscuits, etc.) should not contact the stones directly. These items should be baked in a metal baking pan, on a metal baking sheet or in a cast-iron skillet as the stones will absorb the fat, oil and butter which can cause smoking, odors, staining, and can impart rancid flavors to items that you bake in the future.

Customer Service

For general inquiries, please email us at support@bakerstonebox.com or call **(855) 657-6836**.

For **North American** customer service needs, such as replacement parts and warranty claims, please email us at support@bakerstonebox.com or call **(855) 657-6836**.

For customer service needs in Australia please contact:
Freephone: 1800 839 842 / www.bakerstonebox.com.au
customercare@bakerstonebox.com.au

For customer service needs in **New Zealand** please contact the New Zealand distributor: **Riverlea Group Ltd.** / Freephone: 0800 438 274
email: customercare@riverleagroup.co.nz
website: www.riverleagroup.co.nz

For customer service needs in **Europe** please contact:

OutTrade B.V.
+31 (0)529 48 28 08
info@outtrade.eu
www.outtrade.eu

OutTrade GMBH
+49 (0)211-93 67 60 18
info@outtrade.eu
www.outtrade.eu

BASIC PIZZA DOUGH - *makes: 6 to 8 Dough Balls*

INGREDIENTS

8 Cups (1000g) - Flour (50/50 mixture of All purpose and Bread Flour)
21 oz. (600mL) - Water (cool not cold tap water)
1/2 tsp. (2.8g) - Fresh Yeast
 or 2 tsp. (2.2g) - Active Dry Yeast**
 or 2 tsp. (2.2g) - Instant Dry Yeast**
2 Tbsp. (28g) - Finely ground Sea Salt

EQUIPMENT

Stand Mixer
Measuring cup
Measuring spoons

DIRECTIONS (Stand Mixer Method)

- STEP 1** Pour the WATER in the mixing bowl and add the YEAST. If using FRESH YEAST, work the YEAST with WATER in your palm until it dissolves. For ADY** or IDY**, mix into water and stir to dissolve. Let rest for 5 minutes.
- STEP 2** Attach dough hook and turn on to the lowest setting; slowly incorporate 70-80% of the flour into the WATER & YEAST mixture - approximately 3 minutes. Once combined, remove bowl from the mixing stand, cover with a damp towel or plastic wrap and let stand for 30 minutes. Then, return bowl to mixing stand on the lowest setting and slowly incorporate the remaining FLOUR & SEA SALT into the dough - approximately 2 to 3 minutes.
- STEP 3** Continue mixing on the lowest setting for 10 minutes, if dough forms a ball around the dough hook, stop mixer and remove dough from the hook, then resume mixing. If the dough feels too warm, stop mixer for 30 seconds to 1 minute and resume mixing.
- STEP 4** Place the dough on a clean counter and form a 2 to 3 inch (5cm to 7.6cm) thick rectangular mass, cover it with a damp towel or plastic wrap. Let the dough rest for 1½ to 2 hours.
- STEP 5** To create the dough balls cut the mass of dough into 2 strips. Hold the end of one dough strip in one hand, and using the thumb and fore-finger of your other hand, slowly tighten them around the base of the dough ball where you want to cut through the dough. Do not rip or tear the dough. You should get 3 to 4 dough balls out of each strip.
- STEP 6** Place the dough balls into a lightly dusted container(s) and cover with lid or plastic wrap.
- STEP 7 Choose from one of these two FERMENTATION METHODS:**
- 1.) Warm Ferment:** *let your dough rest on the counter in a cool dry place (around 70°F/21°C) for 4 to 6 hours, and then you're ready to make pizza!*
 - 2.) Cold Ferment:** *let it rest in the refrigerator for anywhere from 12 hours up to 3 days. The longer that you let the dough rest, the more complex the flavor development becomes.*
- *NOTE: If you use the cold ferment method, make sure to take your dough out of the refrigerator 2 to 3 hours prior to baking pizzas so the dough will stretch more easily.*

Experiment with the different methods to determine your favorite type of crust.

PIZZA SAUCE - makes: 28 oz.(793g) Pizza Sauce

INGREDIENTS

One 28 oz. (793g) - Can of Whole Peeled Tomatoes

San Marzano Tomatoes are the preferred style of tomatoes but you can use your favorite brand of whole peeled tomatoes or whole peeled tomatoes with basil. Look for a brand that says "in puree" for best results.

1 tsp. (5.7g) - Sea Salt

A finely ground sea salt will incorporate into the sauce more evenly than a coarsely ground sea salt. Add more to taste 1/2 tsp.(2.8g) at a time.

EQUIPMENT

Food Processor

Blender

Food Mill

DIRECTIONS

STEP 1 Open can of tomatoes and drain them, preserving the puree or liquid.

STEP 2 Place tomatoes into your Food Processor, Blender or Food Mill.

STEP 3 Add the SEA SALT to the TOMATOES.

STEP 4 FOOD MILL - Manually run your Food Mill using the Coarse Plate until only the skins remain in the bowl of the Food Mill.

FOOD PROCESSOR - Using the PULSE setting on your Food Processor, chop until you achieve a thick sauce-like consistency.

BLENDER - Using the PULSE setting on your Blender, blend until you achieve a thick sauce-like consistency (you may need to add a small amount of the reserved puree/liquid to get the contents of the Blender moving).

STEP 5 Transfer the blended sauce to a bowl and add the reserved puree/liquid to the sauce and stir to combine.

A Food Mill with the coarse plate provides the best results as you do not have to worry about over blending and making your sauce too thin. A Food Processor and Blender work well, just make sure you use the PULSE setting so you can control the consistency by using short bursts of blending until you achieve your desired consistency.

MARGHERITA PIZZA - *makes: One 12"(30cm) Pizza*

INGREDIENTS

One - Pizza Dough Ball
2 oz. (59g) - Pizza Sauce
3 oz. (85g) - Fresh Mozzarella, torn
6-10 - Fresh Basil Leaves, torn
1/2 - 1 cup (62.5-125g) - Flour for dusting the peel and coating the Pizza Dough
Sea Salt (fine or coarse are acceptable)
Extra Virgin Olive Oil

EQUIPMENT

Pizza Peel (Wooden)
Ladle or Large Spoon
Round Pizza Turner or Spatula
Metal Pizza Peel (Optional)
Rolling Pin (Optional)

DIRECTIONS

- STEP 1** Preheat the Pizza Oven Box for 15 to 20 minutes.
- STEP 2** Before you begin dust the Pizza Peel (Wooden) with flour.
- STEP 3** Coat pizza dough with flour on both sides and brush off the excess.
- STEP 4** Hand-stretch or use a Rolling Pin to roll the pizza dough into a 12 inch disk.
- STEP 5** Place your stretched pizza dough onto the Pizza Peel (Wooden) and then rub a small amount of Extra Virgin Olive oil over the edge of the crust for even browning.
- STEP 6** With a ladle or large spoon, add the pizza sauce and spread evenly around the pizza.
- STEP 7** Add the Mozzarella cheese generously and evenly over the pizza sauce.
- STEP 8** Sprinkle the Sea Salt over your pizza.
- STEP 9** Lightly drizzle Extra Virgin Olive Oil over your pizza, beginning in the center and using a circular/spiral motion moving towards the outer edge.
- STEP 10** Launch your pizza into your Pizza Oven Box and cook for 1 minute, then Rotate 1/4 to 1/3 turn.
- STEP 11** Rotate your pizza using a 1/4 to 1/3 turn every 30 to 45 seconds to evenly brown your pizza.
- STEP 12** Remove the pizza with the Metal Pizza Peel (approx 2 1/2 to 3 min*) and add the fresh Basil leaves over the pizza. Return it to the oven and cook for another 30 to 45 seconds.
- STEP 13** Remove and enjoy!

*Performance may vary.

ROASTED PORK LOIN CHOPS with HARICOTS VERTS & GRAPE TOMATOES

serves: 2 to 3

INGREDIENTS

2 Center Cut Pork Chops 1.5”(4cm) thick
15 to 20 Grape (or Cherry) Tomatoes
1/2 Lb. (225g) - Haricots Verts (or Green Beans)
1 Tbsp. (15mL) - Extra Virgin Olive Oil
Lemon Pepper
Garlic Powder
Salt
Pepper

EQUIPMENT

2 Oval Cast Iron Steak/Fajita Plates
or 1 Cast Iron Skillet 10” to 14” (26cm to 36cm) diameter
High Temperature Oven Mitts
Metal or Heat-Resistant Tongs
Meat Thermometer

DIRECTIONS

STEP 1 Preheat the Pizza Oven Box on High for 15 to 20 minutes.

STEP 2 Season the Pork Chops with Lemon Pepper, Garlic Powder, Salt, and Pepper.

STEP 3 Lightly coat the Haricots Verts & Grape Tomatoes with Olive Oil and add Salt & Pepper to taste.

STEP 4 Place the Pork Chops onto the Cast Iron Plates or Skillet and arrange the Haricots Verts & Grape Tomatoes around the Pork Chops.

STEP 5 Using the High Temperature Oven Mitts, carefully place the Cast Iron Plates or Skillet into the Pizza Oven Box and roast for 4 to 5 minutes.

STEP 6 Using the High Temperature Oven Mitts, carefully rotate the Cast Iron Plates or Skillet 180 degrees (if the Skillet handle prohibits this, then use the Tongs to rotate the Pork Chops instead) and continue roasting another 4 to 5 minutes, or until the Meat Thermometer reads (145°F/62.8°C) when inserted into the middle/center of the thickest section of the Pork Chops.

STEP 7 Using the High Temperature Oven Mitts, carefully remove the Cast Iron Plates or Skillet from the Pizza Oven Box and place upon a heat-resistant surface.

STEP 8 Using the Tongs, carefully remove the Pork Chops from the Cast-Iron Plates or Skillet and place them upon a cutting board, serving platter or plate and allow to rest for 3 to 5 minutes.

STEP 9 After the resting period, serve with Haricots Verts & Grape Tomatoes and enjoy!

*Performance may vary.

Frequently Asked Questions

Why is my Pizza Oven Box not getting hot enough?

If your Pizza Oven Box does not reach the proper baking temperature, your grill may utilize extra heat tents or Flavorizer® bars. These components sit between the cooking grate and the burners and deflect the heat from the burners downward. Once your grill has completely cooled, remove these pieces and try again. If you have an infrared grill, you will need to remove the heat emitters that sits between the cooking grate and burners as these will block the heat from reaching the Pizza Oven Box.

Can I close the lid of my grill while using the Pizza Oven Box?

We advise you to keep the lid of your grill in the fully opened position while using the Pizza Oven Box in order to protect you and your grill. If you fully or partially close your grill lid while using the Pizza Oven Box, it may cause components of your grill to overheat which may result in damage to your grill and/or bodily injury should you touch the overheated components.

How do I clean the Pizza Oven Box?

To clean the stones, let the burners remain on high for approximately 15 minutes. The remaining residue should burn off or can be scraped off and pushed to the back of the oven by using a long handled Cleaning Brush. Do not use any cleaning agents or other liquids to clean the stones. Once the oven has cooled completely, a damp cloth can be used to wipe off any char left in the oven. The stone will remain blackened and/or darkened which is natural. If this does not clean the stone to your satisfaction, you can also remove the Support Brackets and flip the Base Stone over (horizontally) and replace the Support Brackets. This will give you a clean Base Stone to use and the next time you use the Pizza Oven Box, any remaining residue will burn off.

Why don't the notches line up with the Stone Supports or Stone Cradles?

The notches and Stone Supports or Stone Cradles are not supposed to line-up.

I have knocked and/or dropped my oven while moving it and cracked a stone, will it still work?

Yes, small cracks have no effect on cooking performance. Wipe the area with a damp cloth to remove any loose stone particles before using.

Where can I purchase replacement parts?

Depending on your location, you can purchase replacement parts from the following links:

U.S.A.: <http://shop-usa.bakerstonebox.com/>

Canada: <http://shop-canada.bakerstonebox.com/>

Australia: <http://www.bakerstonebox.com.au/>

New Zealand: <http://www.bakerstonebox.co.nz/>

Précautions de sécurité – Lire avant d'utiliser la Boîte de four à pizza

Pour réduire les risques de brûlures graves et de dommages matériels, respecter les précautions de sécurité ci-dessous lors de l'utilisation de la Boîte de four à pizza.

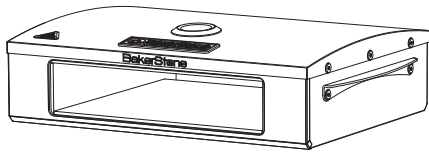
- ⚠ Utiliser uniquement la Boîte de four à pizza sur un gril à gaz pour usage à l'extérieur, bien entretenu et bien ventilé, en gardant le couvercle complètement ouvert en permanence. Toutes les surfaces, y compris les grilles, le foyer et la plateau de récupération des graisses doivent être nettoyés avant chaque utilisation de la Boîte-four à pizza.
- ⚠ Toujours porter des gants de cuisinier isolants résistants à la chaleur conçus pour la cuisson à l'extérieur lors de la manipulation de la Boîte de four à pizza.
- ⚠ Attendre que la Boîte de four à pizza ait refroidi avant de toucher l'extérieur lorsqu'elle est sur le gril. Le boîtier en métal noir peut atteindre des températures d'environ 200 °C (400 °F) durant l'utilisation.
- ⚠ Ne pas allumer pas ou préchauffer le gril avant de placer la Boîte de four à pizza sur le gril.
- ⚠ Ne pas laisser la Boîte de four à pizza sans surveillance ni laisser des enfants sans surveillance à proximité lorsque le gril est en marche.
- ⚠ Utiliser uniquement un matériel et des ustensiles adaptés à la cuisson de pizzas lors de la cuisson et du nettoyage de la Boîte de four à pizza. Ne pas utiliser de plastique, de silicone ou de verre.
- ⚠ Ne pas laisser d'aliments autre que la pizza ou la pâte à pain entrer en contact avec les pierres. Les aliments contenant de la graisse, de l'huile ou du beurre (les viandes, les aliments recouverts d'huile d'olive, les biscuits et les cookies) ne doivent pas entrer directement en contact avec les pierres. Ces aliments doivent être cuits dans un moule de cuisson métallique, sur une plaque de cuisson métallique ou dans une poêle en fonte, car les pierres absorberaient la graisse, l'huile et le beurre, ce qui pourrait causer de la fumée, des odeurs et des taches, et transmettre des saveurs rances aux aliments qui seront cuits à l'avenir.
- ⚠ Les pierres sont fragiles et peuvent se briser. Ne pas toucher les pierres ni toute autre partie de la Boîte de four à pizza pendant l'utilisation.
- ⚠ Pour nettoyer les pierres, chauffer la Boîte de four à pizza pendant 15 minutes une fois la nourriture cuite et gratter les résidus. Ne pas utiliser d'autres agents de nettoyage ni d'autres liquides pour nettoyer les pierres.
- ⚠ Ne pas retirer la Boîte de four à pizza du gril tant qu'il n'a pas complètement refroidi. Attendre au moins 90 minutes après avoir éteint le gril pour retirer la Boîte de four à pizza. Ne pas utiliser d'eau ou d'autres agents pour accélérer le refroidissement de la Boîte de four à pizza après l'utilisation.
- ⚠ Ne pas placer d'essence, d'alcool, de produits de bois, de charbon ni d'autres matières combustibles (sauf en cas d'approbation par BakerStone) dans la chambre de cuisson.
- ⚠ Le Boîte de four à pizza ne doit jamais être utilisé à l'intérieur, ni à des fins de chauffage.

Table des matières	Page
Ce qu'il y a dans l'emballage	20
Assemblage de la Boîte de four à pizza	21
Assemblage du tourneur de pizza	24
Équipement et ingrédients requis pour cuire une pizza	25
Utilisation de la Boîte de four à pizza	26
Consignes d'entretien	29
Service à la clientèle	29
Pâte à pizza simple	30
Sauce pour pizza	32
Pizza margherita	33
Côtelettes de porc rôties avec Haricots verts et tomates cerises	34
Foire aux questions	36

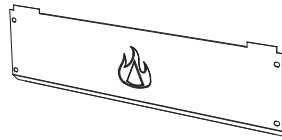
Guide D'Utilisation

Avant d'assembler la Boîte de four à pizza, assurez-vous que toutes les pièces ci-dessous sont incluses.

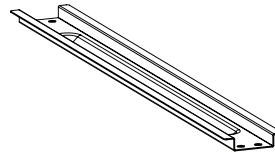
A x1
Boîtier



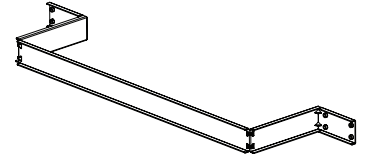
B x1
Panneau arrière



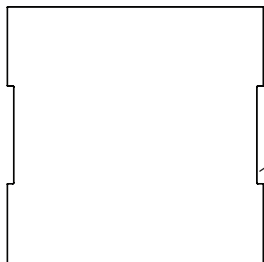
C x2
Supports des pierres



D x2
Appui-pierres



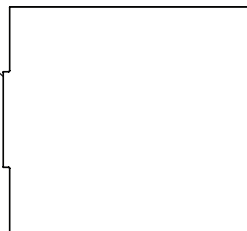
E x1
Pierre supérieure



Languette

Encoche

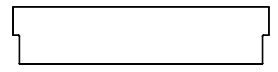
F x1
Pierre de base



G x2
Pierres latérales



H x1
Pierre arrière



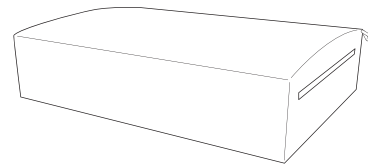
I x12
Rondelles plates M4



K x20
M4x0.7-10
Vis autotaraudeuses



Lx1
Housse de protection



Mx1
Poignée du
tourneur de pizza



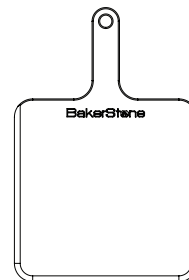
Nx1
Corps du tourneur
de pizza



Ox2
M4x12
Vis à tête
fraisée



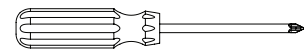
Px1
Palette à pizza



Qx1
Roulette à Pizza



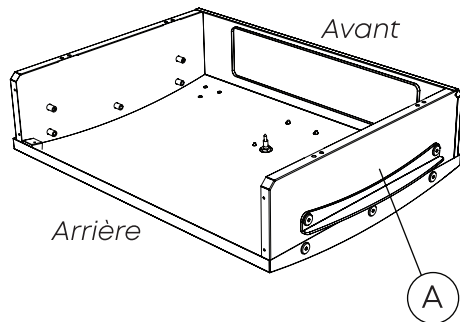
Outils requis pour l'assemblage :
Tournevis cruciforme n° 2



**Vous avez des questions?
Ne Ramenez Pas Ce Produit Au Magasin. Contactez-nous d'abord!
1-855-657-6836 or support@bakerstonebox.com**

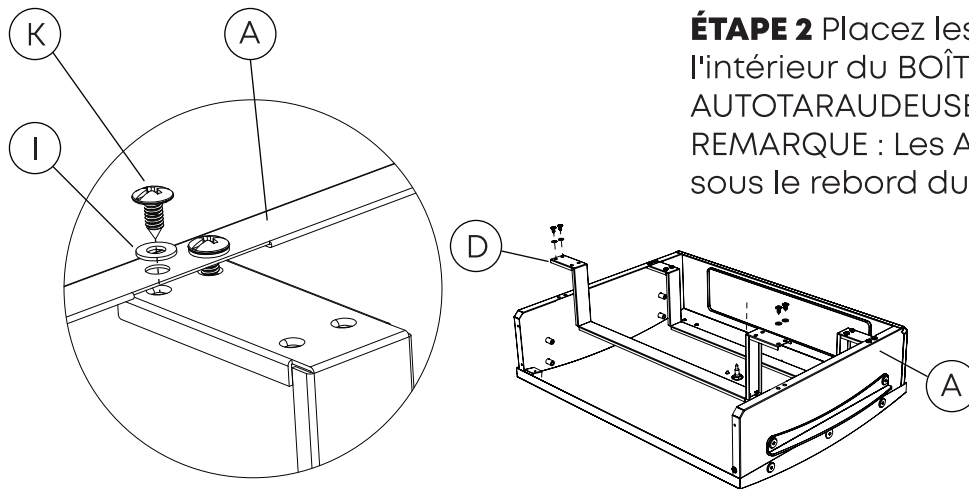
* REMARQUE : La housse de protection vous permet de protéger la Boîte à four à pizza contre l'accumulation de poussière lorsque elle est rangée. Ne pas ranger la Boîte à four à pizza ou la housse de protection à l'extérieur. La housse de protection n'est pas résistante à l'eau.

Assemblage de la Boîte de four à pizza

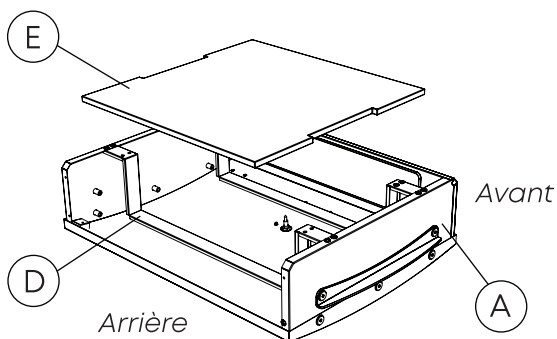


ÉTAPE 1 Placez avec précaution le BOÎTIER (A) à l'envers sur une surface propre et douce.

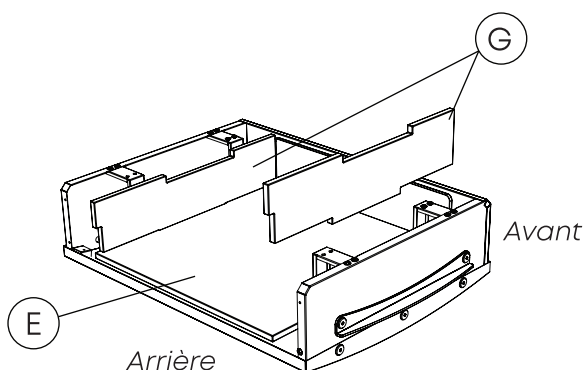
REMARQUE : Le non-respect de cette instruction peut causer des éraflures ou des creux sur la Boîte de four à pizza.



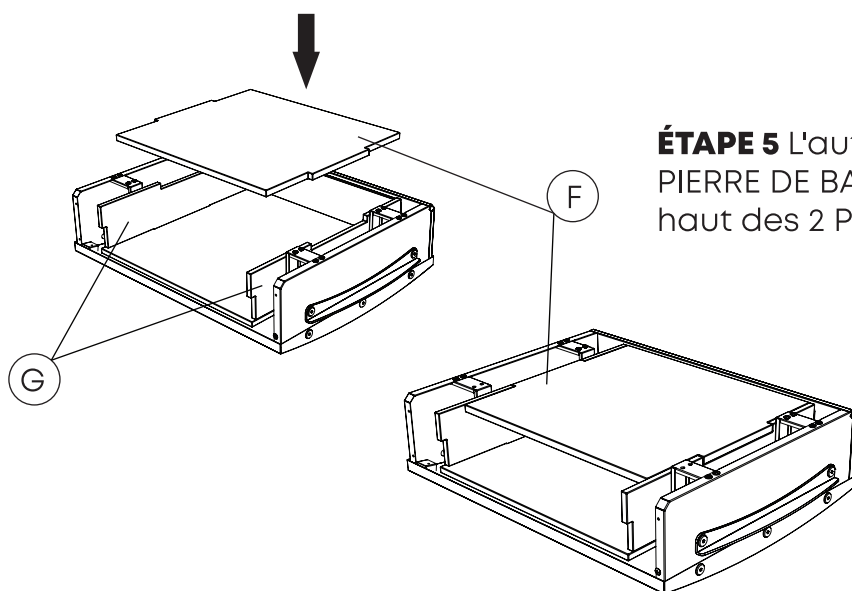
ÉTAPE 2 Placez les deux APPUI-PIERRES (D) à l'intérieur du BOÎTIER (A). Vissez à l'aide des VIS AUTOTARAUDEUSES (K) et des RONDELLES (I).
REMARQUE : Les APPUI-PIERRES (D) sont posés sous le rebord du BOÎTIER (A).



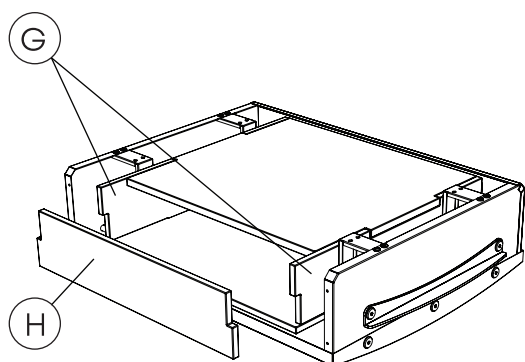
ÉTAPE 3 Identifiez la PIERRE SUPÉRIEURE (E), qui est la pierre la plus grande. Placez doucement la PIERRE SUPÉRIEURE (E) entre les APPUI-PIERRES (D). **REMARQUE :** Les éraflures et égratignures légères présentes sur les pierres ne sont pas considérées comme des dommages et n'affecteront pas la performance du Four à Pizza BakerStone.



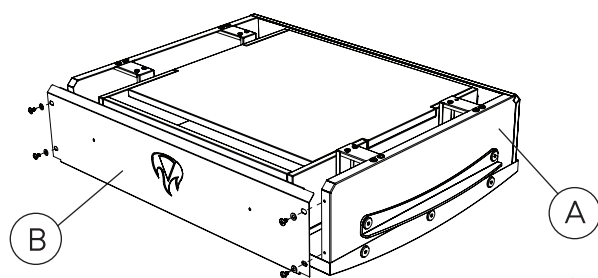
ÉTAPE 4 Identifiez les 2 PIERRES LATÉRALES (G). Insérez les 2 PIERRES LATÉRALES dans les encoches de la PIERRE SUPÉRIEURE (E).
REMARQUE : Les extrémités plates des PIERRES LATÉRALES (G) doivent être face à l'avant du four.



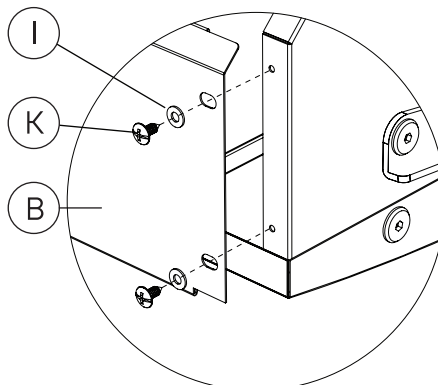
ÉTAPE 5 L'autre pierre de grande taille est la PIERRE DE BASE (F). Insérez-la au milieu et en haut des 2 PIERRES LATÉRALES (G).

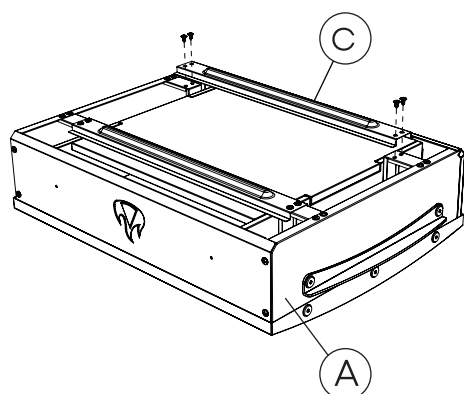


ÉTAPE 6 Insérez la PIERRE ARRIÈRE (H) restante dans les encoches des 2 PIERRES LATÉRALES (G).

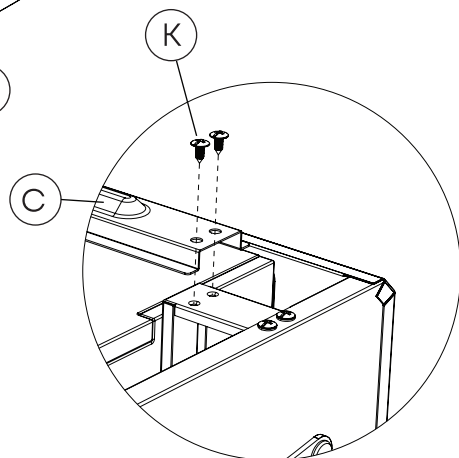


ÉTAPE 7 Remplacez le PANNEAU ARRIÈRE (B) sur le BOÎTIER (A) et fixez avec les 4 VIS AUTO-TARAUDEUSES (K) et les 4 RONDELLES PLATES (I). **NOTE: Ne serrez pas trop les vis pour ne pas fissurer le fini émaillé.**



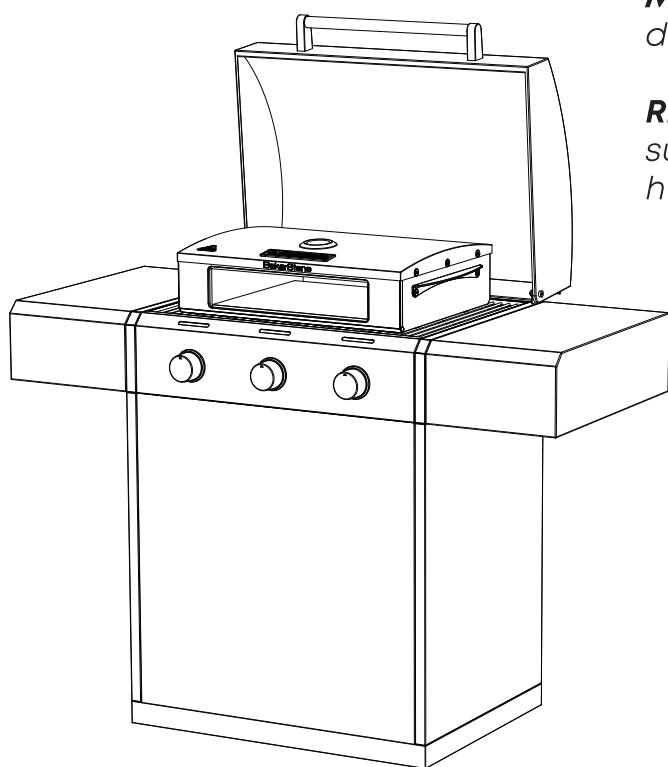


ÉTAPE 8 Placez les SUPPORTS DES PIERRES (C) le long du BOÎTIER (A) et fixez avec les VIS AUTOTARAUDEUSES (K). **REMARQUE :** Le côté plat des SUPPORTS DES PIERRES (C) doit être face aux pierres, et la saillie doit être face vers le haut. **NOTE :** Ne serrez pas trop les vis pour ne pas briser les pierres.



ÉTAPE 9 Retournez la BOÎTE DE FOUR À PIZZA et placez-la sur le grill pour commencer la cuisson. **MISE EN GARDE :** Enlevez tous les autocollants avant de placer la Boîte-four sur le grill.

REMARQUE: Avant l'utilisation, nettoyez toutes les surfaces, incluant les pierres à l'aide d'un chiffon humide doux.

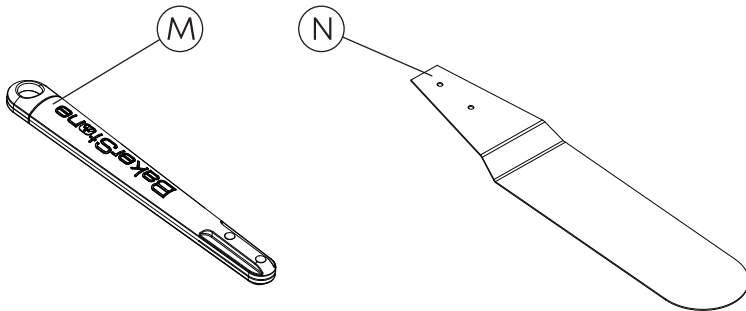


Remarque : Le grill n'est pas inclus.

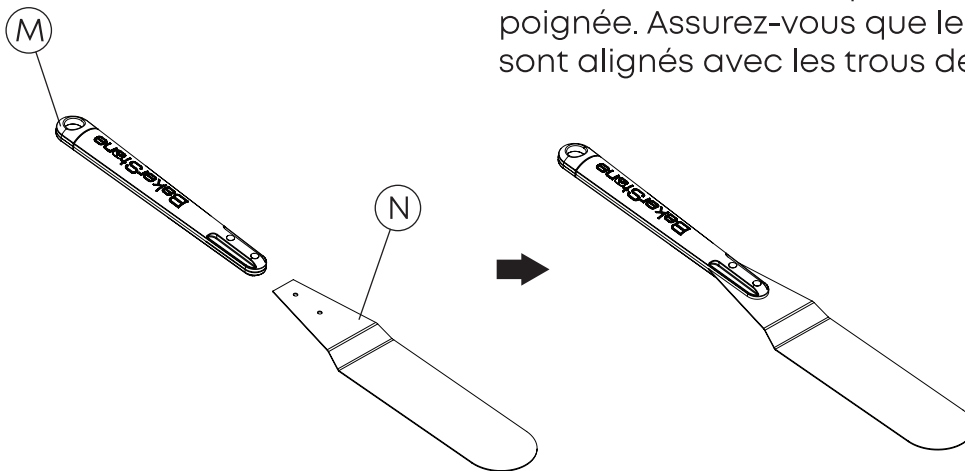
REMARQUE : Si votre Boîte-four à pizza n'atteint pas la température de cuisson appropriée, votre barbecue peut utiliser des plaques chauffantes supplémentaires ou des diffuseurs de chaleur Flavorizer®. Ces composants se placent entre la grille de cuisson et les brûleurs et dévient la chaleur des brûleurs vers le bas. Lorsque votre grill a complètement refroidi, retirez ces pièces et essayez à nouveau. Si vous avez un grill infrarouge, vous devrez retirer l'écran thermique qui se trouve entre la grille de cuisson et les brûleurs car ce bouclier empêchera la chaleur d'atteindre la Boîte-four à pizza.

Assemblage du tourneur de pizza.

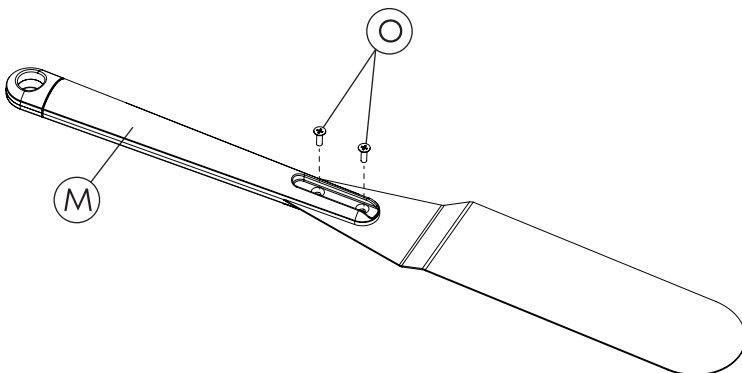
ÉTAPE 1 La pelle à pizza nécessite un assemblage avant l'utilisation. Situez la poignée et le corps de la pelle à pizza à l'intérieur de la boîte d'accessoires.



ÉTAPE 2 Insérez le corps de la pelle à l'intérieur de la poignée. Assurez-vous que les trous du corps de la pelle sont alignés avec les trous de la poignée.



ÉTAPE 3 Installez les vis à tête fraisée (O) dans la partie inférieure de la poignée du tourneur (M), serrez.



Voici ce dont vous avez besoin pour créer une pizza gastronomique.

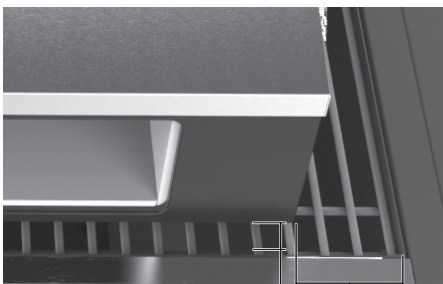
Ingrédients	Notes
Pâte à pizza*	Acheté ou fait maison
Sauce à pizza	Acheté ou fait maison
Fromage	La mozzarella fraîche est un excellent ingrédient, et vous pouvez aussi utiliser votre fromage préféré.
Herbes, épices et sel	Utilisez du basilic ou de l'origan frais, et du sel marin de bonne qualité.
Huile d'olive	Utilisez de l'huile d'olive extra vierge pour obtenir la meilleure saveur.
Garnitures	Utilisez des légumes hachés ou tranchés, de la viande précuite, etc. Soyez créatif!

*De la pâte à pizza prête à l'emploi est disponible dans de nombreux supermarchés, épiceries, pizzerias et magasins gastronomiques près de chez vous. N'hésitez pas à en demander; l'utilisation de pâte à pizza fraîche améliorera grandement les résultats obtenus. Avec un peu de pratique, vous pourrez créer votre propre pizza gastronomique en un rien de temps!

Équipement	Notes
Gril à gaz à 3 brûleurs ou plus grand	
Four à Pizza BakerStone	
Palette à pizza en bois	C'est un outil bon marché qui fera toute la différence pour créer votre propre pizza gastronomique. Une palette à pizza en bois saupoudrée de farine vous permettra de préparer et de garnir vos pizzas, et de les enfourner facilement dans la Boîte de four à pizza en toute confiance, pour un succès garanti à chaque fois.
Pelle à pizza	Un autre outil bon marché mais indispensable, la spatule à long manche ou la pelle à pizza vous permettront de facilement tourner et surveiller votre pizza gastronomique et vos autres mets à base de pâte pendant qu'ils cuisent dans la Boîte de four à pizza.
Palette à pizza en métal	La palette à pizza en métal est l'outil final par excellence. Grâce à sa lame fine, vous pourrez retirer et transporter votre pizza gastronomique et la servir expertement à vos admirateurs.

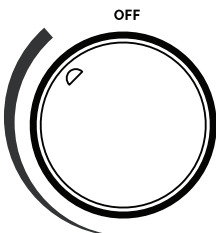
Utilisation de la Boîte de Four à Pizza

⚠ AVERTISSEMENT Veuillez lire entièrement toutes les consignes de sécurité au début et tout au long de ce guide avant d'utiliser votre Four à pizza. Le Four à pizza devient extrêmement chaud et peut provoquer des brûlures. Le non-respect des précautions lors de l'utilisation de la Boîte de four à pizza peut entraîner des blessures graves et des dommages matériels.



0.5" (1.2cm)

1.0" (2.5cm) or more



ÉTAPE 1 Ouvrez le couvercle du gril à gaz qui sera utilisé avec la Boîte de four à pizza. **AVERTISSEMENT: Le couvercle du gril à gaz doit rester ouvert à tout moment lorsque la Boîte de four à pizza est sur le gril. ATTENTION: Si la configuration de votre barbecue/gril inclut une PLAQUE CHAUFFANTE (grille en fonte), il est nécessaire de l'enlever avant usage, centrer la partie de la plaque restante et placer la BakerStone boîte de four à pizza au dessus.**

MISE EN GARDE : Toutes les surfaces, y compris les grilles, le foyer et la plateau de récupération des graisses doivent être nettoyés avant chaque utilisation de la Boîte-four à pizza.

ÉTAPE 2 Placez la Boîte de four à pizza sur la grille de cuisson du gril, en laissant un espace d'un demi-pouce entre le bord avant de la Boîte de four à pizza et le bord avant de la grille de cuisson, et au moins 1 pouce entre les deux bords latéraux de la Boîte de four à pizza et de la grille de cuisson.

AVERTISSEMENT: Si les écarts indiqués ci-dessus ne sont pas respectés, le débit d'air peut être restreint et la ventilation du gril peut être insuffisante. Ceci pourrait causer des blessures graves et/ou des dommages matériels. NE PAS UTILISER LE FOUR À PIZZA AVEC VOTRE GRIL À GAZ SI VOUS NE POUVEZ PAS LAISSER SUFFISAMMENT D'ESPACE POUR LA VENTILATION, COMME DÉCRIT CI-DESSUS.

ÉTAPE 3 Avec le couvercle du gril à gaz complètement ouvert et avec les espaces adéquats présents autour de la Boîte de four à pizza, allumez votre gril à gaz comme indiqué par le fabricant.


ÉTAPE 4 Réglez tous les brûleurs à HAUTE température et préchauffez la Boîte de four à pizza pendant 20 minutes.





Indicateur de plage de température


ÉTAPE 5 Réglez les brûleurs du gril à gaz pour obtenir la plage de température désirée pour les aliments à cuire.

REMARQUE: 15 minutes sont requises pour que l'indicateur de plage de température fonctionne.

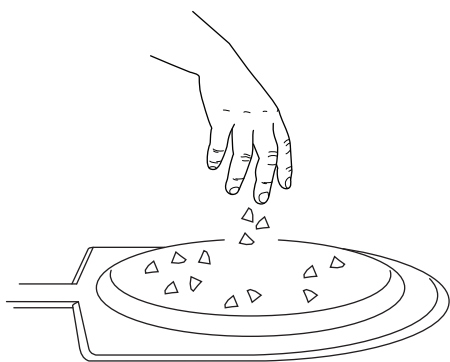
Pour la cuisson de mets tels que pains et biscuits, réglez la chaleur du gril, de telle manière que l'indicateur soit dans la zone de cuisson 

Pour cuire les pizzas et griller les viandes et les légumes, réglez la chaleur de telle manière que l'indicateur soit dans la zone de cuisson 

 = 200°-500°F
93°-260°C

 = 500°-800°F
260°-427°C

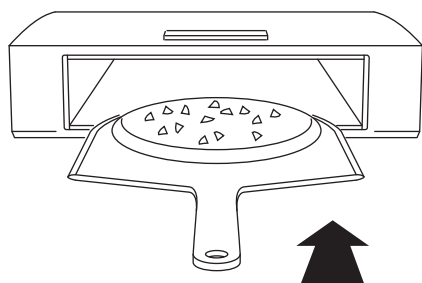
REMARQUE: L'indicateur de plage de température ne constitue pas un instrument de mesure précis.



ÉTAPE 6 Saupoudrez la palette à pizza en bois de farine (environ 2 c. à soupe de farine) uniformément afin de recouvrir toute la palette. Puis, en tenant la palette à un angle de 45 degrés au-dessus d'un évier, tapez doucement sur la palette pour enlever l'excédent de farine. **REMARQUE: Cela permettra de s'assurer que la pizza ne colle pas à la palette lorsque vous enfournerez la pizza dans la Boîte de four à pizza.**

ÉTAPE 7 Placez la pâte à pizza déroulée ou étirée à main sur la palette à pizza saupoudrée de farine. Créez votre pizza en utilisant votre sauce et vos garnitures préférées.

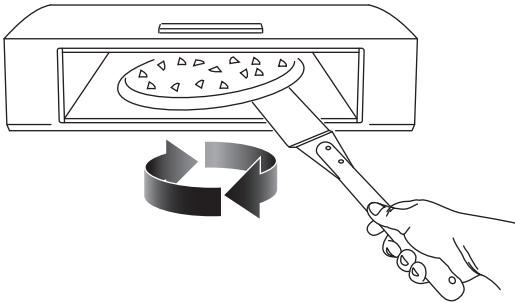
ÉTAPE 8 À l'aide de la palette à pizza, enfournez votre pizza dans la Boîte de four à pizza.



REMARQUE: Ceci peut être accompli en plaçant la palette à pizza juste un peu plus loin qu'à mi-chemin dans la Boîte de four à pizza et en la secouant rapidement d'avant en arrière tout en faisant glisser la palette hors de la Boîte de four à pizza. Visitez le site Web www.bakerstonebox-.com pour voir une vidéo de démonstration. **AVERTISSEMENT: De graves blessures peuvent se produire si la palette à pizza n'est pas utilisée.**

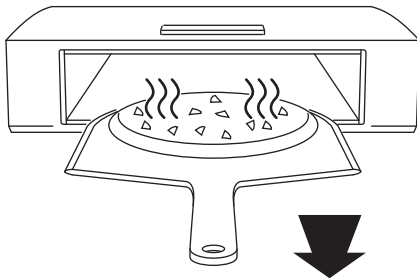
REMARQUE: Ne pas laisser pas d'aliments autres que la pizza ou la pâte à pain entrer en contact avec les pierres de cordiélite. Les aliments contenant de la graisse, de l'huile ou du beurre (les viandes, les aliments recouverts d'huile d'olive, les biscuits et les cookies) ne doivent pas entrer directement en contact avec les pierres. Ces aliments doivent être cuits dans un moule de cuisson métallique, sur une plaque de cuisson métallique ou dans une poêle en fonte, car les pierres absorberaient la graisse, l'huile et le beurre, ce qui pourrait causer de la fumée, des odeurs et des taches, et transmettre des saveurs rances aux aliments qui seront cuits à l'avenir.

ÉTAPE 9 Faites cuire la pizza pour 1 minute* pour permettre à la croûte de prendre.



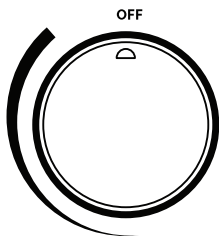
ÉTAPE 10 Après 1 minute*, utiliser une longue spatule ou une pelle à pizza pour faire tourner la pizza de 1/4 à 1/3 de tour environ toutes les 45 secondes*. Faites cuire votre pizza pendant environ 2-4 minutes*, en prenant soin de ne pas la brûler.

REMARQUE: Le Four à pizza est plus chaud au fond. Faites tourner régulièrement votre pizza pour assurer une cuisson uniforme. **AVERTISSEMENT:** Tout contact entre la main ou la peau nues et une partie de la Boîte de four à pizza peut provoquer des blessures graves.



ÉTAPE 11 À l'aide de la palette à pizza en métal, retirez la pizza complètement cuite de la Boîte de four à pizza et transférez-la sur une planche à découper ou un plateau de service, et laissez-la refroidir.

REMARQUE: La pizza sera brûlante lorsque vous la retirerez de la Boîte de four à pizza. **AVERTISSEMENT:** Le retrait de la pizza par un autre moyen qu'avec la palette à pizza peut causer de graves blessures.



ÉTAPE 12 Lorsque vous avez terminé la cuisson, éteignez les brûleurs du gril à gaz et laissez le gril à gaz et la Boîte de four à pizza refroidir pendant au moins quatre-vingt-dix (90) minutes. **REMARQUE:** Si un nettoyage est requis, laissez les brûleurs allumés et continuez à chauffer le four pendant 15 minutes avant de procéder au nettoyage. Lorsque vous avez terminé la cuisson, éteignez les brûleurs du gril à gaz et laissez le gril à gaz et la Boîte de four à pizza refroidir pendant au moins quatre-vingt-dix (90) minutes [Voir les instructions d'entretien et de nettoyage].

AVERTISSEMENT: Des blessures graves peuvent survenir en cas de contact avec le gril à gaz et la Boîte de four à pizza avant qu'ils n'aient complètement refroidis.

**Les temps de cuisson indiqués sont des recommandations de base. Les temps peuvent varier en fonction des conditions météorologiques et de l'état/les performances du gril à gaz.*

Entretien et nettoyage

Laissez la Boîte de four à pizza refroidir complètement avant de le retirer du gril à gaz.

N'utilisez pas de nettoyeurs ménagers ou de liquides sur les pierres.

N'utilisez pas de nettoyeurs ménagers sur le boîtier en métal.

Essuyez l'extérieur du boîtier avec un chiffon doux humide uniquement lorsque le four a complètement refroidi.

Après la cuisson de votre dernière pizza, vous pouvez nettoyer la Boîte de four à pizza en laissant les brûleurs allumés à haute température pendant environ 15 minutes. Tout résidu devrait brûler et les débris peuvent être poussés à l'arrière du four.

Le noircissement de la pierre dû aux ingrédients et à l'excès de farine se produira au fil du temps sans affecter les performances de cuisson de la Boîte de four à pizza.

REMARQUE: Ne pas laisser pas d'aliments autres que la pizza ou la pâte à pain entrer en contact avec les pierres. Les aliments contenant de la graisse, de l'huile ou du beurre (les viandes, les aliments recouverts d'huile d'olive, les biscuits et les cookies) ne doivent pas entrer directement en contact avec les pierres. Ces aliments doivent être cuits dans un moule de cuisson métallique, sur une plaque de cuisson métallique ou dans une poêle en fonte, car les pierres absorberaient la graisse, l'huile et le beurre, ce qui pourrait causer de la fumée, des odeurs et des taches, et transmettre des saveurs rances aux aliments qui seront cuits à l'avenir.

Service à la clientèle

Pour des renseignements généraux, veuillez nous envoyer un courriel à l'adresse électronique support@bakerstonebox.com ou composez le (855) 657-6836.

Pour des besoins de service à la clientèle en Amérique du Nord, notamment en ce qui concerne les pièces de rechange et les réclamations de garantie, veuillez nous envoyer un courriel à l'adresse électronique support@bakerstonebox.com ou composez le (855) 657-6836.

Si vous souhaitez contacter le service client en Australie, veuillez contacter :
Numéro vert : 1800 839 842 / www.bakerstonebox.com.au
customercare@bakerstonebox.com.au

Pour des besoins de service à la clientèle au Royaume-Uni et dans tout autre pays de l'UE, veuillez contacter le principal distributeur européen :

OutTrade B.V.
+31 (0)529 48 28 08
info@outtrade.eu
www.outtrade.eu

OutTrade GMBH
+49 (0)211-93 67 60 18
info@outtrade.eu
www.outtrade.eu

PÂTE À PIZZA SIMPLE - permet d'obtenir : 6 à 8 boules de pâte

INGRÉDIENTS

8 tasses (1 000 g) de farine (mélange 50/50 de farine tout usage et de farine à pain)
21 onces. (600 ml) - d'eau (eau du robinet fraîche mais pas froide)
1/2 c. à café (2,8 g) de levure fraîche
ou 2 c. à café (2,2 g) de levure sèche active
ou 2 c. à café (2,2 g) de levure sèche instantanée
2 c. à soupe (28 g) de sel marin finement moulu

ÉQUIPEMENT

Batteur sur socle
Verre mesureur
Cuillères mesureuses

INSTRUCTIONS

- ÉTAPE 1** Versez l'EAU dans le bol et ajoutez la LEVURE. Si vous utilisez de la LEVURE FRAÎCHE, travaillez la LEVURE avec de l'EAU dans votre paume jusqu'à ce qu'elle se dissolve. Si vous utilisez de la LEVURE SÈCHE ACTIVE** ou de la LEVURE ACTIVE INSTANTANÉE**, mélangez-la dans de l'eau et touillez pour dissoudre. Laissez reposer pendant 5 minutes.
- ÉTAPE 2** Fixez le crochet pétrisseur et mettez en marche à vitesse minimum ; incorporez lentement 70-80 % de la farine dans le mélange EAU ET LEVURE - environ 3 minutes. Une fois mélangée, retirez le bol du batteur, couvrez-le avec un linge humide ou du film transparent et laissez reposer pendant 30 minutes. Ensuite, replacez le bol sur le batteur et incorporez lentement le reste de FARINE ET LE SEL DE MER dans la pâte à vitesse minimum - environ 2 à 3 minutes.
- ÉTAPE 3** Continuez à mélanger à vitesse minimum pendant 10 minutes, si la pâte forme une boule autour du crochet pétrisseur, arrêtez le batteur et retirez la pâte du crochet, puis reprenez le pétrissage. Si la pâte est trop chaude, arrêtez le batteur pendant 30 secondes à 1 minute et reprenez le pétrissage.
- ÉTAPE 4** Placez la pâte sur un plan de travail propre et formez une masse rectangulaire épaisse de 2 à 3 pouces (5 à 7,6 cm), couvrez-la avec un linge humide ou un film transparent. Laissez reposer la pâte pendant 1½ à 2 heures.
- ÉTAPE 5** Pour créer les boules de pâte, coupez la masse de pâte en 2 bandes. Tenez l'extrémité d'une bande de pâte dans une main, puis en utilisant le pouce et l'index de l'autre main, serrez lentement autour de la base de la boule de pâte à l'endroit où vous voulez la couper. Ne déchirez pas la pâte. Vous devriez obtenir 3 ou 4 boules de pâte avec chaque bande.
- ÉTAPE 6** Placez les boules de pâte dans un récipient légèrement saupoudré de farine et couvrez-les avec un couvercle ou un film transparent.

ÉTAPE 7 Choisissez l'une de ces deux MÉTHODES DE FERMENTATION :

1.) Fermentation chaude : laissez votre pâte reposer sur le plan de travail dans un endroit frais et sec (à environ 70 °F/21 °C) pendant 4 à 6 heures, maintenant vous êtes prêt(e) à faire des pizzas !

2.) Fermentation froide : laissez reposer au réfrigérateur pendant au moins 12 heures, et jusqu'à 3 jours. Plus vous laissez la pâte reposer, plus sa saveur devient complexe et subtile.

**REMARQUE :* Si vous utilisez la méthode de fermentation froide, veillez à sortir votre pâte du réfrigérateur 2 à 3 heures avant de commencer la cuisson de vos pizzas afin qu'elle s'étende plus facilement.

Expérimentez les différentes méthodes pour tester comment vous préférez votre croûte.

SAUCE pour PIZZA - permet d'obtenir : 28 onces(793 g) de sauce pour pizza

INGRÉDIENTS

Une boîte de 28 onces. (793 g) de tomates pelées entières

Les tomates San Marzano sont les plus adaptées, mais vous pouvez utiliser votre marque préférée de tomates entières pelées ou de tomates entières pelées au basilic.

Recherchez une marque qui précise « avec coulis » pour de meilleurs résultats.

1 c. à café (5,7 g) de sel de mer

Un sel marin finement moulu s'incorporera plus uniformément dans la sauce qu'un sel de mer grossièrement moulu. Selon votre goût, rajoutez 1/2 c. à café (2,8 g) à la fois.

ÉQUIPEMENT

Robot ménager

Mixeur

Moulin

INSTRUCTIONS

ÉTAPE 1 Ouvrez la boîte de tomates et égouttez-les, conservez le coulis ou le jus.

ÉTAPE 2 Placez les tomates dans votre robot ménager, votre mixeur ou votre moulin.

ÉTAPE 3 Ajoutez le SEL DE MER aux TOMATES.

ÉTAPE 4 MOULIN - mixez manuellement en utilisant la lame la plus grossière jusqu'à ce qu'il ne reste que les peaux dans le bol.

ROBOT MÉNAGER - à l'aide du bouton d'impulsion de votre robot, hachez jusqu'à ce que vous obteniez une sauce de consistance épaisse.

MIXEUR - à l'aide du bouton d'impulsion de votre mixeur, mixez jusqu'à ce que vous obteniez une sauce de consistance épaisse (vous devrez peut-être ajouter une petite quantité de coulis/jus que vous aurez mis de côté pour mettre en mouvement le contenu du mixeur).

ÉTAPE 5 Transférez la sauce mélangée dans un bol et intégrez la purée/le jus mis de côté à la sauce et mélangez.

Un moulin avec une lame plus grossière fournit les meilleurs résultats car vous ne courrez pas le risque de trop mélanger, ce qui rendrait votre sauce trop liquide. Un robot ménager et mixeur marchent aussi, assurez-vous juste que vous pouvez contrôler la consistance en appuyant brièvement sur le bouton d'impulsion jusqu'à obtenir la consistance désirée.

PIZZA MARGHERITA – permet d'obtenir : Une pizza de 12 pouces (30 cm)**INGRÉDIENTS**

Une boule de pâte à pizza

2 onces. (59 g) de sauce pour pizza

3 onces. (85 g) de mozzarella fraîche, déchirée

6-10 feuilles de basilic frais, déchirées

1/2-1 tasse (62,5-125 g) de farine pour saupoudrer la palette et recouvrir la pâte à pizza

Sel de mer (sel fin ou gros sel sont possibles)

Huile d'olive extra vierge

ÉQUIPEMENT

Pelle à pizza (en bois)

Louche ou cuillère de grande taille

Tourneur à pizza ou spatule ronde

Pelle métallique à pizza (en option)

Rouleau à pâtisserie (en option)

INSTRUCTIONS

ÉTAPE 1 Préchauffez la Boîte-four à pizza pendant 15 à 20 minutes.

ÉTAPE 2 Avant de commencer, saupoudrez la pelle à pizza (en bois) avec de la farine.

ÉTAPE 3 Saupoudrez la pâte avec de la farine des deux côtés et brossez l'excédent.

ÉTAPE 4 Étirez la pâte à pizza en disque de 12 pouces (30 cm) à la main ou à l'aide d'un rouleau à pâtisserie.

ÉTAPE 5 Placez votre pâte à pizza étirée sur la pelle à pizza (en bois), puis étalez une petite quantité d'huile d'olive extra vierge sur le bord de la croûte pour un aspect doré uniforme.

ÉTAPE 6 Avec une louche ou une grande cuillère, ajoutez la sauce pour pizza et répartissez-la uniformément sur la pizza.

ÉTAPE 7 Ajoutez la mozzarella généreusement et uniformément sur la sauce pour pizza.

ÉTAPE 8 Saupoudrez le sel de mer sur votre pizza.

ÉTAPE 9 Arrosez légèrement votre pizza avec de l'huile d'olive extra vierge, en commençant par le centre et en effectuant un mouvement en spirale/circulaire vers le bord extérieur.

ÉTAPE 10 Enfournez votre pizza et laissez-la cuire pendant 1 minute avant de lui faire faire 1/4 ou 1/3 de tour.

ÉTAPE 11 Faites faire un 1/4 ou 1/3 de tour à votre pizza toutes les 30 à 45 secondes pour la dorer uniformément.

ÉTAPE 12 Retirez la pizza avec la pelle métallique (env. 2 1/2 à 3 minutes*) et ajoutez les feuilles de basilic frais sur la pizza. Remettez-la dans le four et faites cuire pendant 30 à 45 secondes. *Les performances peuvent varier.

ÉTAPE 13 Sortez-la du four, bon appétit !

CÔTELETTES DE PORC RÔTIES avec HARICOTS VERTS ET TOMATES CERISES

pour : 2 ou 3 personnes

INGRÉDIENTS

2 côtelettes de porc de coupe centrale de 1,5 pouce (4 cm) d'épaisseur
15-20 tomates cerises
1/2 livre (225 g) de haricots verts
1 cuillère à soupe (15 ml) d'huile d'olive extra vierge
Poivre citronné
Ail en poudre
Sel
Poivre

ÉQUIPEMENT

2 plaques en fonte pour steaks/fajitas
ou 1 poêle en fonte de 10 à 14 pouces (26 à 36 cm) de diamètre
Maniques pour four haute température
Pincen en métal ou résistantes à la chaleur
Thermomètre à viande

INSTRUCTIONS

ÉTAPE 1 Préchauffez la Boîte-four à pizza à température élevée pendant 15 à 20 minutes.

ÉTAPE 2 Assaisonnez les côtelettes de porc avec du poivre citronné, de l'ail en poudre, du sel et du poivre.

ÉTAPE 3 Enduisez légèrement les haricots verts et les tomates cerises avec de l'huile d'olive et ajoutez du sel et du poivre à votre convenance.

ÉTAPE 4 Placez les côtelettes de porc sur les plaques en fonte ou la poêle et placez les haricots verts et les tomates cerises autour des côtelettes de porc.

ÉTAPE 5 En utilisant des maniques pour four haute température, placez avec précaution les plaques en fonte ou la poêle dans la Boîte-four à pizza et faites rôtir pendant 4 à 5 minutes.

ÉTAPE 6 En utilisant les maniques pour four haute température, faites tourner avec précaution les plaques en fonte ou la poêle à 180 degrés (si la poignée de la poêle ne le permet pas, utilisez les pincen pour faire tourner les côtelettes de porc) et continuez la cuisson pendant 4 à 5 minutes, ou jusqu'à ce que le thermomètre à viande indique (145 °F/62,8 °C) lorsqu'il est inséré au cœur de la partie la plus épaisse des côtelettes de porc.

ÉTAPE 7 En utilisant les maniques pour four haute température, retirez précautionneusement les plaques en fonte ou la poêle de la Boîte-four à pizza et posez sur une surface résistante à la chaleur.

ÉTAPE 8 En utilisant les pincen, retirez doucement les côtelettes de porc des plaques en fonte ou de la poêle et placez-les sur une planche à découper, un plat ou une assiette, et laissez reposer pendant 3 à 5 minutes. *Les performances peuvent varier.

ÉTAPE 9 Après avoir laissé reposer, servez avec les haricots Verts et les tomates cerises, bon appétit !

Foire aux questions

Pourquoi est-ce que ma Boîte-four à Pizza ne se réchauffe pas assez?

Si votre Boîte-four à pizza n'atteint pas la température de cuisson appropriée, votre barbecue peut utiliser des plaques chauffantes supplémentaires ou des diffuseurs de chaleur Flavorizer®. Ces composants se placent entre la grille de cuisson et les brûleurs et dévient la chaleur des brûleurs vers le bas. Lorsque votre gril a complètement refroidi, retirez ces pièces et essayez à nouveau. Si vous avez un gril infrarouge, vous devrez retirer l'écran thermique qui se trouve entre la grille de cuisson et les brûleurs car ce bouclier empêchera la chaleur d'atteindre la Boîte-four à pizza.

Est-ce que je peux fermer le couvercle de mon gril tout en utilisant la Boîte-four à Pizza?

Nous vous conseillons de maintenir le couvercle sur votre gril en position entièrement ouverte lorsque vous utilisez la Boîte-four à Pizza afin de vous protéger vous et votre gril. Si vous fermez entièrement ou partiellement le couvercle de votre gril en utilisant la Boîte-four à Pizza, cela risque de surchauffer certaines pièces de votre gril, ce qui peut endommager votre gril ou entraîner des blessures corporelles si vous touchez aux pièces surchauffées.

Comment puis-je nettoyer la Boîte-four à Pizza?

Pour nettoyer les pierres, laissez les brûleurs en position forte pendant environ 15 minutes. Le résidu restant devrait brûler ou peut être gratté et poussé à l'arrière du four à l'aide d'une brosse de nettoyage à manche long. N'utilisez pas de détergents ou d'autres liquides pour nettoyer les pierres. Une fois le four complètement refroidi, un chiffon humide peut être utilisé pour essuyer les cendres restant dans le four. La pierre restera noircie et/ou obscurcie, ce qui est naturel. Si la pierre ne vous semble pas correctement nettoyée, vous pouvez aussi enlever les supports de la pierre, retourner la pierre inférieure et replacer les supports. Vous aurez une pierre inférieure propre pour la prochaine utilisation de la Boîte-four à pizza, et tous les résidus restant brûleront.

Pourquoi les crans ne s'alignent-ils pas avec les supports de pierre et les berceaux de pierre?

Les crans et les supports de pierre ou berceaux de pierre ne sont pas censés s'aligner.

J'ai cogné ou fait tomber mon four en le déplaçant et j'ai fissuré une pierre, est-ce qu'il va toujours fonctionner?

Oui, les fissures mineures n'ont aucun effet sur la performance de cuisson. Essayez la zone avec un linge humide afin de retirer toute particule de pierre avant d'utiliser le four.

Où puis-je me procurer des pièces de rechange?

Vous pouvez, selon votre adresse, vous procurer des pièces de rechange à partir des liens suivants:

États-Unis: <http://shop-usa.bakerstonebox.com/>













Canada: <http://shop-canada.bakerstonebox.com/>

Australie: <http://www.bakerstonebox.com.au/>

Nouvelle-Zélande: <http://www.bakerstonebox.co.nz/>

Precauciones de seguridad: lea antes de utilizar el horno tipo cajón para pizza

Para minimizar el riesgo de lesiones graves por quemaduras o de daños a la propiedad, observe las precauciones de seguridad que se indican a continuación cuando utilice el horno tipo cajón para pizza:

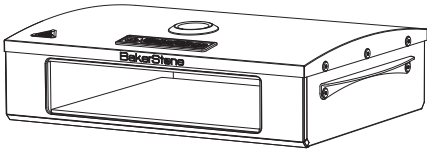
-  Use su horno tipo cajón para pizza solamente en una parrilla de gas para exteriores que esté bien ventilada, tenga adecuado mantenimiento y con la tapa de la barbacoa completamente abierta en todo momento. Todas las superficies incluidas rejillas, caja de fuego y bandeja para grasa de la parrilla deben limpiarse antes de cada uso del Horno para Pizzas.
-  Siempre use guantes para horno resistentes al calor o guantes diseñados para cocinar en exteriores cuando manipule el horno tipo cajón para pizza.
-  No toque el exterior del horno tipo cajón para pizza cuando esté en la parrilla hasta que se haya enfriado. La carcasa metálica negra puede alcanzar temperaturas de 400°F (200°C) +/- durante el uso.
-  No encienda ni precaliente la barbacoa antes de colocar el horno tipo cajón para pizza en la parrilla.
-  No deje desatendido el horno tipo cajón para pizza ni permita la presencia de niños sin supervisión en las cercanías mientras esté encendida la barbacoa.
-  Use solo loza o utensilios adecuados para hornear pizza cuando hornee o limpie su horno tipo cajón para pizza. No use plástico, silicona ni vidrio.
-  No permita que otros alimentos distintos de la masa para pan o pizza estén en contacto con las piedras. Los alimentos que contengan grasa, aceite o mantequilla (carnes, alimentos recubiertos con aceite de oliva, galletas, panecillos, etc.) no deben estar en contacto con las piedras directamente. Estos alimentos se deben hornear en una cacerola o bandeja de metal para hornear, o en un sartén de hierro fundido ya que las piedras absorberán la grasa, el aceite y la mantequilla, lo cual puede ocasionar humo, olores, manchas e impartir sabor rancio a los alimentos que hornee en el futuro.
-  Las piedras son frágiles y se pueden romper. No toque las piedras ni ninguna otra parte del horno tipo cajón para pizza mientras esté en uso.
-  Para limpiar las piedras, caliente el horno tipo cajón para pizza durante 15 minutos después de haber cocinado los alimentos y raspe cualquier residuo que haya quedado. No utilice agentes de limpieza ni otros líquidos para limpiar las piedras.
-  No retire el horno tipo cajón para pizza de la barbacoa hasta que este se haya enfriado completamente. Deje transcurrir 90 minutos por lo menos después de apagar la barbacoa para retirarlo. No use agua ni otros agentes para contribuir a enfriar el horno tipo cajón para pizza después del uso.
-  No coloque gasolina, alcohol, productos de madera, carbón ni ningún otro material combustible en la cámara de horneado (a menos que BakerStone lo haya aprobado).
-  **El horno tipo cajón para pizza nunca se debe usar en interiores ni para fines de calefacción.**

Índice	Página
Qué hay en el paquete	38
Ensamblaje del horno tipo cajón para pizza	39
Armado de la espátula para pizza	42
Lo que necesita para hornear una pizza	43
Cómo usar el horno tipo cajón para pizza	44
Instrucciones acerca del cuidado	47
Servicio de atención al cliente	47
Masa básica para pizza	48
Salsa para pizza	49
Pizza margarita	50
Chuletas de cerdo asadas con habas verdes y tomates cherry	51
Preguntas frecuentes	52

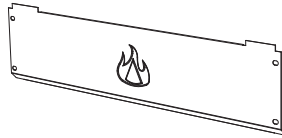
Guía de Productos

Antes de ensamblar su horno para pizza, asegúrese de que estén todas las piezas que se mencionan a continuación.

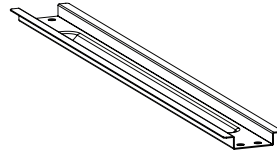
A x1
Carasa



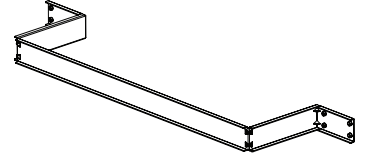
B x1
Panel Posterior



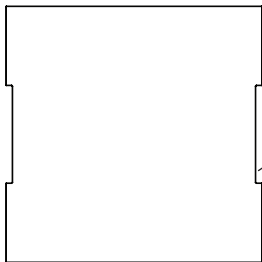
C x2
Soportes de Pierda



D x2
Paneles de Piedra

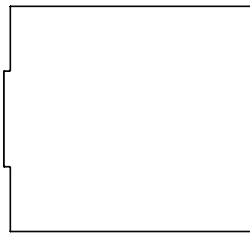


E x1
Pierda Superior



F x1
Base de Pierda

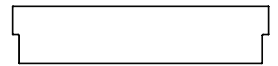
Tab
Notch



G x2
Pierdas Laterales



H x1
Pierda Posterior



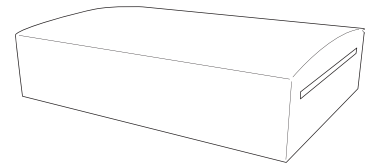
I x12
M4 Arandelas Planas



K x20
M4x0.7-10
Tornillos
Autoperforantes



L x1
Cubierta Protectora



Mx1
Mango De
La Paleta



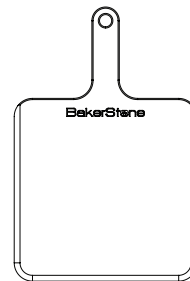
Nx1
El Cuerpo
De La Paleta



Ox2
M4x12
Tornillos
Avellanados



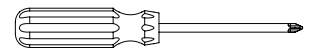
Px1
Pala para pizza



Qx1
Cortador de Pizza
en Forma de Rueda



Herramienta necesaria para el ensamblaje:
destornillador de estrella n.º 2

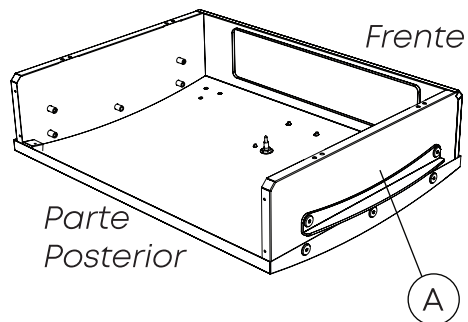


¿Tiene preguntas?

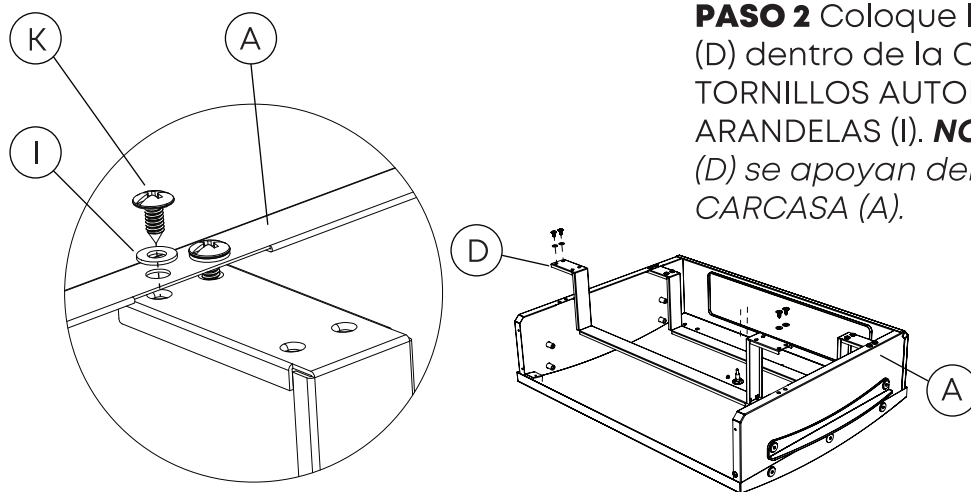
**No devuelva este producto a la tienda.
¡COMUNÍQUESE CON NOSOTROS PRIMERO!
1-855-657-6836 or support@bakerstonebox.com**

* NOTA: La sobrecubierta tiene por objetivo proteger la caja del horno para pizzas de la acumulación de polvo mientras se encuentra guardada. No guarde la caja del horno para pizzas ni la sobrecubierta al aire libre. La sobrecubierta no es resistente al agua.

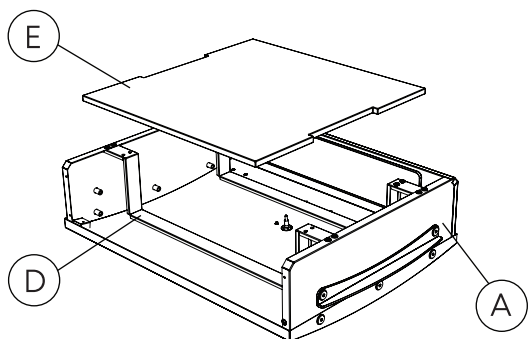
Ensamblaje del horno tipo cajón para pizza



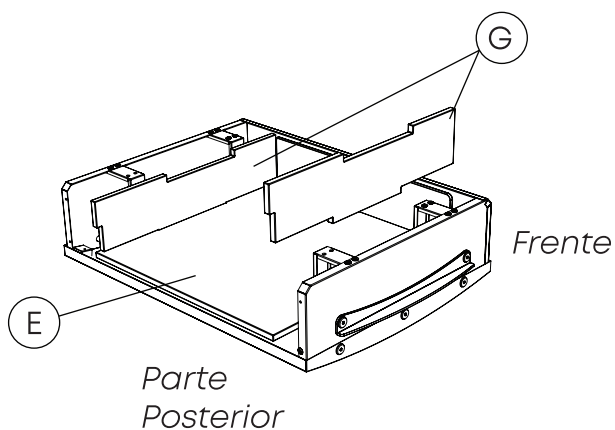
PASO 1 Coloque la CARCASA (A) cuidadosamente en posición invertida en una superficie limpia y suave. **NOTA:** De no hacerlo se pueden producir raspones o mellas en el horno tipo cajón para pizza.



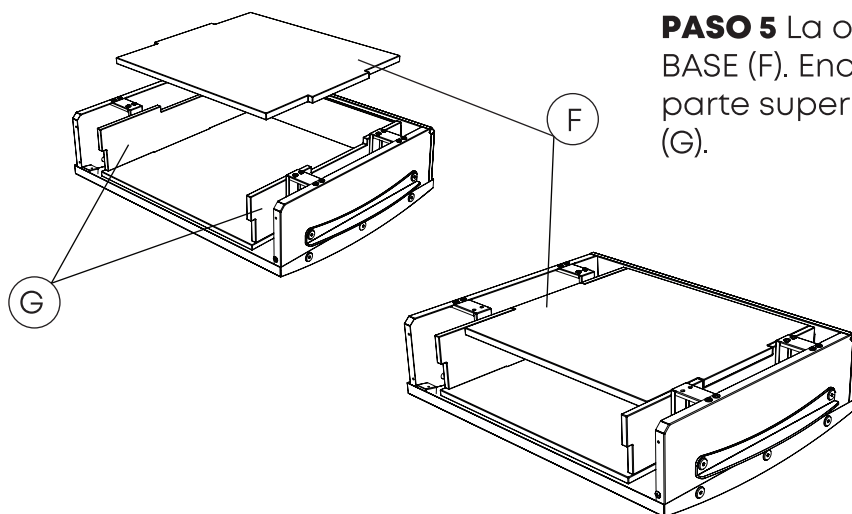
PASO 2 Coloque los dos PANELES DE PIEDRA (D) dentro de la CARCASA (A). Ajuste con los TORNILLOS AUTOPERFORANTES (K) y las ARANDELAS (I). **NOTA:** los PANELES DE PIEDRA (D) se apoyan debajo del borde de la CARCASA (A).



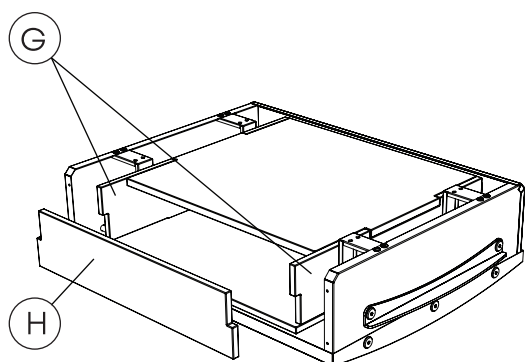
PASO 3 Identifique la PIEDRA SUPERIOR (E); esta es la más grande en la caja. **NOTA:** Hay dos muescas en ambos lados de esta piedra. **NOTA:** Las desportilladuras ligeras o los raspones en las piedras no se consideran daños y no afectan el funcionamiento del horno tipo cajón para pizza de BakerStone.



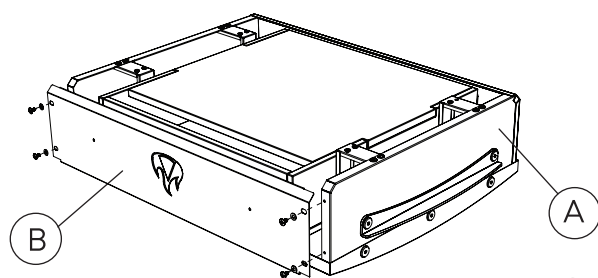
PASO 4 Identifique las 2 PIEDRAS LATERALES (G). Encaje las 2 PIEDRAS LATERALES en las muescas de la PIEDRA SUPERIOR (E). **NOTA:** El extremo plano de las PIEDRAS LATERALES (G) debe estar orientado hacia el frente del horno.



PASO 5 La otra piedra grande es la PIEDRA BASE (F). Encaje esta piedra entre y sobre la parte superior de las 2 PIEDRAS LATERALES (G).

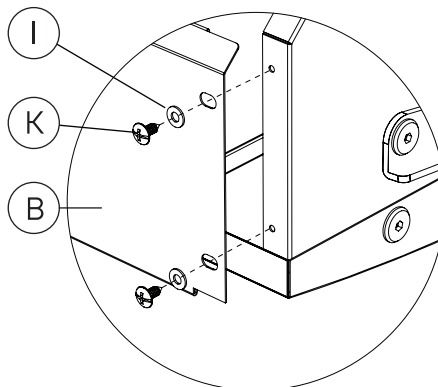


PASO 6 Encaje la PIEDRA POSTERIOR restante (H) en las muescas de las 2 PIEDRAS LATERALES (G).

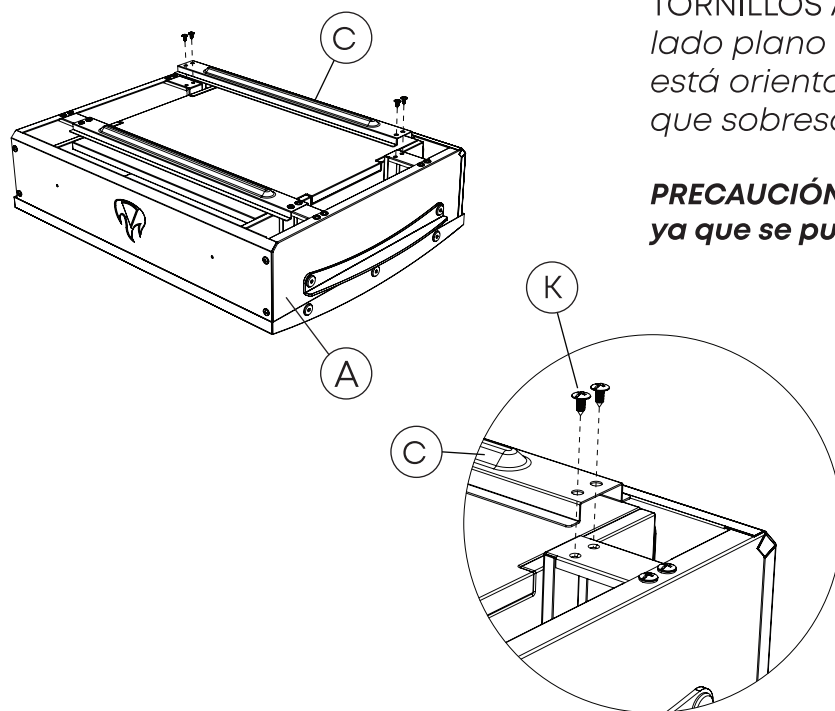


PASO 7 Coloque el PANEL POSTERIOR (B) nuevamente en la CARCASA (A) y fije con los 4 TORNILLOS AUTOPERFORANTES (K) y las 4 ARANDELAS PLANAS (I).

PRECAUCIÓN: No apriete demasiado los tornillos ya que se puede agrietar el acabado esmaltado.



PASO 8 Coloque los SOPORTES DE PIEDRA (C) a lo ancho de la CARCASA (A) y fije con los TORNILLOS AUTOPERFORANTES (K). **NOTA:** El lado plano de los SOPORTES DE PIEDRA (C) está orientado hacia las piedras y el borde que sobresale está orientado hacia arriba.

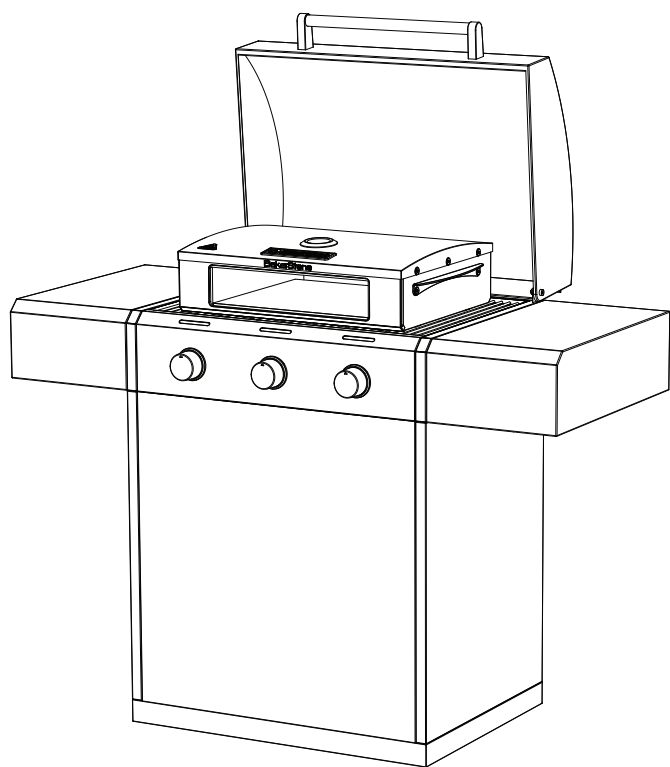


PRECAUCIÓN: No apriete demasiado los tornillos ya que se pueden partir las piedras.

PASO 9. Dele vuelta al HORNO TIPO CAJÓN PARA PIZZA y colóquelo en la parrilla cuando esté listo para hornear.

NOTA: Antes de utilizar su horno para pizza por primera vez, limpie la piedra base con un paño húmedo para eliminar cualquier residuo.

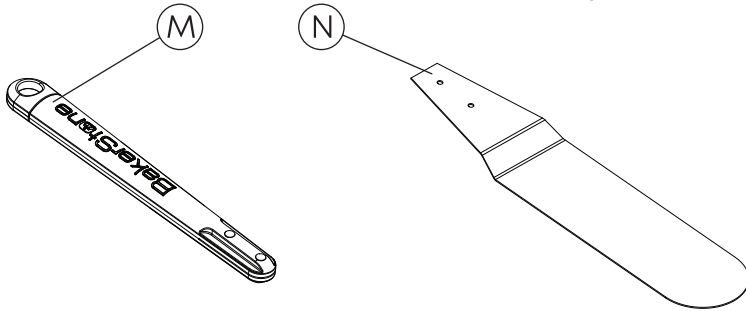
NOTA: Si su horno para pizzas no alcanza la temperatura adecuada para hornear, su parrilla puede utilizar plantillas de calor extra o barras Flavorizer®. Estos elementos se encuentran entre la rejilla de cocción y las hornillas, y desvían el calor de las hornillas hacia abajo. Una vez que la parrilla se haya enfriado completamente, retire las piezas y vuelva a utilizarlo. Además, si usted cuenta con una parrilla infrarroja, deberá quitar el protector de calor que se encuentra entre la rejilla de cocción y las hornillas, debido a que bloquea el calor y no permite que este llegue al horno.



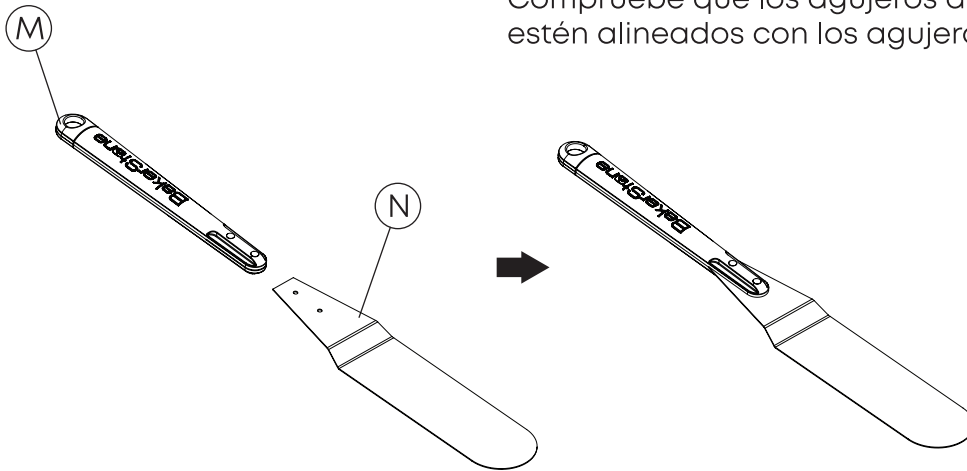
Nota: No incluye la parrilla.

Armado de la espátula para pizza

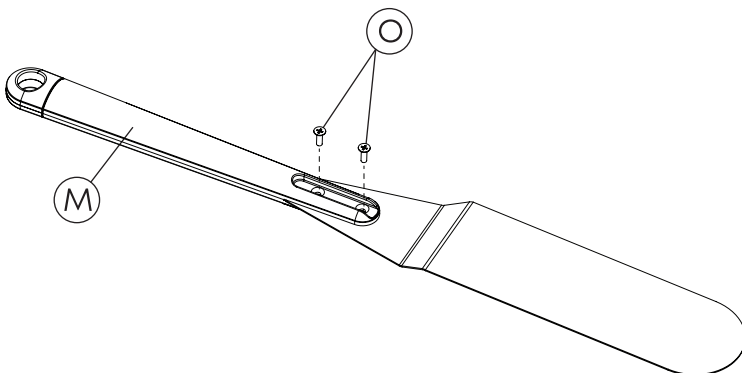
PASO 1 La paleta ancha para pizza se debe ensamblar para poder usarla. Ubique el mango y el cuerpo de la paleta ancha en la caja del kit de accesorios.



PASO 2 Inserte el cuerpo de la paleta ancha en el mango. Compruebe que los agujeros del cuerpo de la paleta ancha estén alineados con los agujeros del mango de esta.



PASO 3 Instale los tornillos encastrados (O) en la parte inferior del mango de la espátula (M), y ajuste hasta que haga tope.



Esto es lo que necesita para crear una pizza de gourmet.

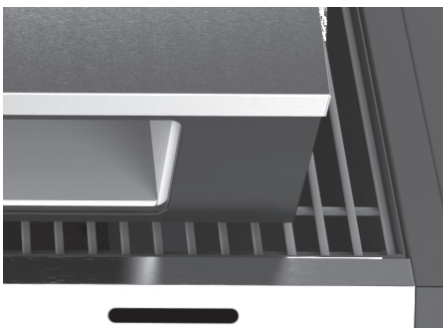
Ingredientes	Notas
Masa para pizza*	Adquirida en la tienda o hecha en casa.
Salsa para pizza	Adquirida en la tienda o hecha en casa.
Queso	El queso mozzarella fresco es excelente o puede utilizar su queso preferido.
Hierbas, especias y sal	Use albahaca u orégano fresco y una buena sal marina.
Aceite de oliva	Use un aceite de oliva extravirgen de buena calidad para mejor sabor.
Tipos de cobertura	Use vegetales cortados/rebanados, carnes precocidas, etc. ¡Sea creativo!

*Puede adquirir la masa para pizza lista para usar en muchos supermercados, tiendas de víveres, pizzerías y tiendas de alimentos de gourmets cerca de usted. Pídala; usar masa fresca para pizza mejorará considerablemente la experiencia de la pizza BakerStone. ¡Con un poco de práctica, creará su propia pizza de gourmet en muy poco tiempo!

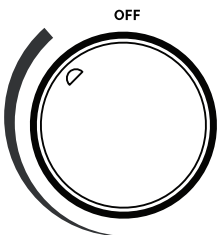
Equipo	Notas
Parrilla de gas de 3 o más quemadores	
Horno tipo cajón para pizza de BakerStone	
Pala de madera para pizza	Este es un implemento económico que puede marcar una gran diferencia en su empeño por crear su propia pizza de gourmet. Una pala de madera para pizza espolvoreada con harina le permitirá preparar y recubrir sus pizzas y luego introducirla fácilmente en el horno tipo cajón para pizza de forma exitosa y confiada una y otra vez.
Paleta ancha para pizza	Otro implemento económico pero indispensable es la espátula de mango largo o la paleta para pizza, la cual le permitirá girarla fácilmente y atender su pizza de gourmet u otros alimentos elaborados con masa de pan mientras se hornean en el horno tipo cajón para pizza.
Pala metálica para pizza	El implemento final por antonomasia en su afán de crear su propia pizza de gourmet es la pala metálica para pizza. Este implemento de hoja delgada le permite retirar de forma experta y transportar su pizza de gourmet a sus entusiastas adoradores.

Cómo Usar el Horno Tipo Cajón para Pizza

⚠ ADVERTENCIA: Lea completamente todas las precauciones de seguridad que se encuentran al comienzo y en toda esta guía antes de utilizar su horno tipo cajón para pizza. El horno tipo cajón para pizza se vuelve extremadamente caliente y puede causar quemaduras. No seguir las precauciones cuando use el horno tipo cajón para pizza puede ocasionar lesiones graves y/o daños a la propiedad.



0.5" (1.2cm) ↓
1.0" (2.5cm) o más ↓



PASO 1 Abra la tapa de la parrilla de gas que se utilizará con el horno tipo cajón para pizza. **ADVERTENCIA:** La tapa de la parrilla de gas debe permanecer **ABIERTA EN TODO MOMENTO** mientras el horno tipo cajón para pizza esté en la parrilla. **AVISO:** Si su configuración de barbacoa/parrilla incluye una **PLACA CALIENTE (plancha)**, retírela antes del uso, centre la sección restante de la placa de la parrilla abierta en la barbacoa/parrilla y coloque el Horno tipo cajón para pizza de BakerStone.

AVISO: Todas las superficies incluidas rejillas, caja de fuego y bandeja para grasa de la parrilla deben limpiarse antes de cada uso del Horno para Pizzas.

PASO 2 Coloque el horno tipo cajón para pizza en la rejilla de cocción de la parrilla, dejando un espacio de 0.5" (1.2 cm) entre el borde frontal del horno tipo cajón para pizza y el borde frontal de la rejilla de cocción de la parrilla y al menos 1" (2.5 cm) de espacio entre ambos bordes laterales del horno tipo cajón para pizza y ambos bordes laterales de la rejilla de cocción.

ADVERTENCIA: No dejar los espacios indicados anteriormente puede ocasionar la restricción del flujo de aire y una ventilación inadecuada de su parrilla. Esto podría ocasionar lesiones graves y/o daños a la propiedad. **NO UTILICE EL HORNO TIPO CAJÓN PARA PIZZA CON SU PARRILLA DE GAS SI NO PUEDE DEJAR EL ESPACIO ADECUADO PARA LA VENTILACIÓN SEGÚN SE HA INDICADO ANTERIORMENTE.**


PASO 3 Con la tapa de la parrilla completamente abierta y respetando los espacios mencionados alrededor del horno tipo cajón para pizza, encienda la parrilla de gas según lo indica el fabricante de la parrilla de gas.


PASO 4 Coloque todos los quemadores en HIGH y precaliente el horno tipo cajón para pizza durante 20 minutos.




Indicador de rango de temperatura

PASO 5 Ajuste la configuración del quemador de la parrilla de gas para obtener el rango de temperatura deseado de los alimentos que va a hornear. **NOTA: El indicador de rango de temperatura tarda 15 minutos en funcionar.**

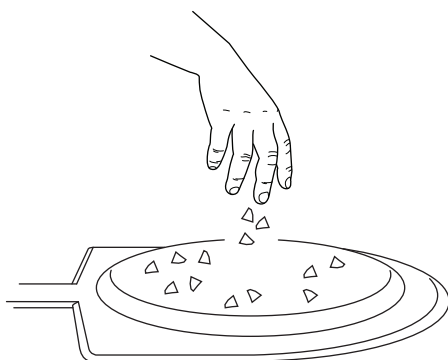
Para hornear panes y galletas, ajuste el calor de la parrilla para que el indicador se lea en la  zona de hornear.

Para hornear pizza y asar carnes y vegetales, ajuste el calor para que el indicador se lea en la  zona de hornear.

 = 200°-500°F
93°-260°C

 = 500°-800°F
260°-427°C

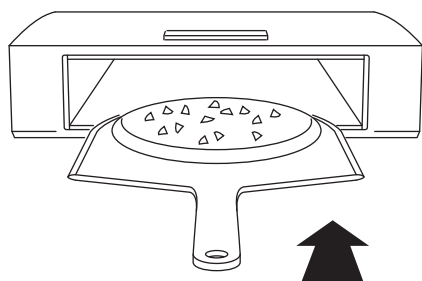
NOTA: El indicador de rango de temperatura no es un instrumento de medición preciso.



PASO 6 Espolvoree con harina una pala de madera para pizza (aproximadamente 2 cucharadas de harina) y esparza alrededor de la tabla para cubrir uniformemente toda la pala. Seguidamente, sosteniendo la pala a un ángulo de 45 grados sobre el fregadero, golpee ligeramente la pala para retirar el exceso de harina. **NOTA:** Esto tiene la finalidad de impedir que la pizza se pegue a la pala cuando la introduce en el horno tipo cajón para pizza.

PASO 7 Coloque una masa para pizza extendida a mano o con un rodillo en la pala enharinada. Cree su pizza utilizando su salsa y elementos preferidos.

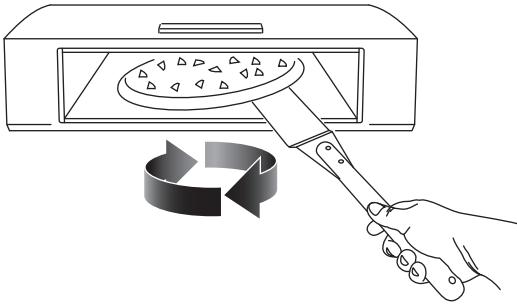
PASO 8 Usando la pala para pizza, introduzca la pizza en el horno tipo cajón para pizza.



NOTA: Esto se puede lograr colocando la pala para pizza aproximadamente a la mitad del horno tipo cajón para pizza y haciendo un movimiento rápido hacia atrás y hacia adelante mientras desliza la pala fuera del horno tipo cajón para pizza. Consulte el sitio web www.bakerstonebox-.com para una demostración en video. **ADVERTENCIA: No utilizar la pala para pizza para introducir la pizza puede ocasionar lesiones graves.**

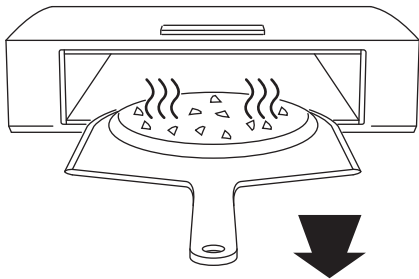
NOTA: No permita que otros alimentos distintos de la masa para pan o pizza estén en contacto con las piedras de cordierita. Los alimentos que contengan grasa, aceite o mantequilla (carne, artículos recubiertos con aceite de oliva, galletas, panecillos, etc.) no deben estar en contacto con las piedras directamente. Estos alimentos se deben hornear en una cacerola o bandeja de metal para hornear, o en un sartén de hierro fundido ya que las piedras absorberán la grasa, el aceite y la mantequilla, lo cual puede ocasionar humo, olores, manchas e impartir sabor rancio a los alimentos que hornee en el futuro.

PASO 9 Hornee la pizza durante 1 minuto* para permitir que la corteza endurezca.



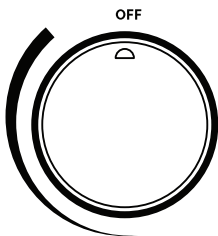
PASO 10 Después de 1 minuto*, use una espátula larga o el implemento para girar la pizza y dele de 1/4 a 1/3 de vuelta aproximadamente cada 45 segundos*. Hornee la pizza durante 2-4 minutos* aproximadamente, teniendo cuidado de no quemarla.

NOTA: El horno tipo cajón para pizza está más caliente en la parte posterior. Gire su pizza periódicamente para lograr que se hornee uniformemente. **ADVERTENCIA:** **Tocar el horno tipo cajón para pizza con su mano o la piel sin protección podría ocasionar lesiones graves.**



PASO 11 Utilizando una pala metálica para pizza, retire la pizza totalmente cocida del horno tipo cajón para pizza y transfírela a una tabla para cortar o a una bandeja para servir y deje enfriar.

NOTA: La pizza estará muy caliente cuando la retire del horno tipo cajón para pizza. **ADVERTENCIA:** **Retirar la pizza con un implemento distinto de la pala para pizza podría ocasionar lesiones graves.**



PASO 12 Cuando termine de hornear, gire los quemadores de la parrilla de gas a la posición "Off" (apagado) y deje que la parrilla de gas y el horno tipo cajón para pizza se enfríen durante un período de noventa (90) minutos por lo menos. **NOTA:** Si es necesario limpiar, deje los quemadores encendidos y continúe calentando el horno durante 15 minutos antes de limpiar. Después de limpiar, gire los quemadores de la parrilla de gas a la posición "Off" (apagado) y deje que la parrilla de gas y el horno tipo cajón para pizza se enfríen durante un período de noventa (90) minutos por lo menos [Consulte las instrucciones de mantenimiento y limpieza].

ADVERTENCIA: Si toca la parrilla o el horno tipo cajón para pizza antes de que se enfríe completamente pueden ocurrir lesiones graves.

***Los tiempos de cocción indicados son pautas básicas. Pueden variar dependiendo de las condiciones climáticas, la condición o el funcionamiento de la parrilla de gas.**

Mantenimiento y Limpieza

Permita que el horno tipo cajón para pizza se enfríe completamente antes de retirarlo de la parrilla de gas.

No utilice limpiadores domésticos ni líquidos en las piedras.

No utilice limpiadores domésticos en la carcasa metálica.

Limpie la carcasa exterior con un paño suave humedecido solo cuando haya enfriado completamente.

Después de hornear la última pizza, puede limpiar el horno tipo cajón para pizza dejando que los quemadores permanezcan en "high" aproximadamente durante 15 minutos. Cualquier residuo que haya quedado se quema y los restos se pueden empujar hacia la parte posterior del horno.

Las piedras se oscurecerán con el tiempo por causa de los ingredientes o el exceso de harina pero ello no afecta el rendimiento ni el funcionamiento del horno tipo cajón para pizza.

NOTA: No permita que otros alimentos distintos de la masa para pan o pizza estén en contacto con las piedras de cordierita. Los alimentos que contengan grasa, aceite o mantequilla (carnes, alimentos recubiertos con aceite de oliva, galletas, panecillos, etc.) no deben estar en contacto con las piedras directamente. Estos alimentos se deben hornear en una cacerola o bandeja de metal para hornear, o en un sartén de hierro fundido ya que las piedras absorberán la grasa, el aceite y la mantequilla, lo cual puede ocasionar humo, olores, manchas e impartir sabor rancio a los alimentos que hornee en el futuro.

Servicio de atención al cliente

Por consultas generales, por favor envíenos un correo electrónico a support@bakerstonebox.com o llame al (855) 657-6836

Para las necesidades de servicio al cliente en América del Norte, tales como piezas de recambio y las reclamaciones de garantía, por favor envíenos un correo electrónico a support@bakerstonebox.com o llame al (855) 657 a 6836.

Para consultar con nuestro servicio de atención al cliente en Australia, comuníquese con:
Teléfono gratuito: 1800 839 842 / www.bakerstonebox.com.au
customercare@bakerstonebox.com.au

Para el servicio de las necesidades del cliente en Nueva Zelanda póngase en contacto con el distribuidor de Nueva Zelanda: Riverlea Group Ltd. / Número de teléfono gratuito: 0800 438 274 / correo electrónico: customercare@riverleagroup.co.nz / sitio web: www.riverleagroup.co.nz

Para el servicio de las necesidades del cliente en el Reino Unido y el resto de países de la UE póngase en contacto con el principal distribuidor europeo:

OutTrade B.V.
+31 (0)529 48 28 08
info@outtrade.eu
www.outtrade.eu

OutTrade GMBH
+49 (0)211-93 67 60 18
info@outtrade.eu
www.outtrade.eu

MASA BÁSICA PARA PIZZA *Rinde: 6 a 8 bollos de masa*

INGREDIENTES

8 tazas (1000 g) de harina (mezcla 50/50 de harina común y harina para pan)
 21 oz. (600 ml) de agua (fresca, no el agua fría del grifo)
 1/2 cucharadita (2,8 g) de levadura fresca
 • 2 cucharaditas (2,2 g) de levadura seca activa
 • 2 cucharaditas (2,2 g) de levadura seca instantánea
 2 cdas. (28 g) de sal marina molida fina

EQUIPO

Batidora eléctrica
 Taza para medir
 Cucharas para medir

INDICACIONES

- PASO 1** Vierta el AGUA en el recipiente y añada la LEVADURA. Si utiliza LEVADURA FRESCA, trabaje la levadura con el AGUA en la palma de su mano hasta que se disuelva. Si utiliza levadura instantánea o activa, mézclela con el agua y revuelva hasta que se disuelva. Deje reposar durante 5 minutos.
- PASO 2** Coloque la cuchara batidora a mínimo; incorpore lentamente un 70 a 80 % de la harina a la mezcla de AGUA y LEVADURA - aproximadamente 3 minutos. Una vez combinados, retire el recipiente de la batidora, cúbralo con un paño húmedo o con papel plástico y déjelo reposar durante 30 minutos. Luego, vuelva a colocar el recipiente debajo de la batidora en mínimo e incorpore la HARINA y la SAL MARINA restantes a la masa, aproximadamente 2 a 3 minutos.
- PASO 3** Siga batiendo en mínimo durante 10 minutos. Si la masa forma una bola o se adhiere totalmente a la cuchara batidora, deje de batir, libere la cuchara y luego enciéndala nuevamente. Si la masa parece demasiado caliente, detenga la batidora por entre 30 segundos y 1 minuto y luego vuelva a comenzar.
- PASO 4** Coloque la masa en una mesada limpia, forme una masa rectangular gruesa de 2 a 3 pulgadas (5 cm a 7,6 cm), y cúbrala con un paño húmedo o con papel plástico. Deje que la masa repose durante 1 hora y media o 2 horas.
- PASO 5** Para hacer bollos de masa, corte la masa en 2 tiras. Sujete el extremo de una de las tiras de masa con una mano, y apriete la base de la bola de masa con el dedo pulgar y el índice, justo en el punto en el que quiere cortar la masa. No rasgue ni rompa la masa. Debería obtener 3 o 4 bollos de masa de cada tira.
- PASO 6** Coloque los bollos de masa en un recipiente ligeramente enharinado y cúbralos con una tapa o con papel plástico.
- PASO 7 Escoja uno de estos dos MÉTODOS DE FERMENTACIÓN:**
- 1.) Fermentación en caliente:** *deje reposar la masa en la mesada, en un lugar fresco y seco (Alrededor de 70 °F/21 °C) de 4 a 6 horas, ¡y ya estará listo para hacer pizza!*
 - 2.) Fermentación en frío:** *deje reposar la masa en el refrigerador de 12 horas a 3 días, el tiempo que usted desee. Cuanto más reposa la masa, más complejo resulta el sabor que desarrolla. *NOTA: Si utiliza la fermentación en frío, asegúrese de quitar la masa del refrigerador entre 2 y 3 horas antes de hornear la pizza, para que la masa se estire con más facilidad. Intente ambos métodos para decidir qué tipo de corteza prefiere.*

SALSA PARA PIZZA *rinde: 28 oz.(793 g) de salsa para pizza*

INGREDIENTES

Una lata de 28 oz. (793 g): tomates pelados enteros

Si bien sugerimos los tomates San Marzano, puede utilizar su marca favorita de tomates pelados enteros o tomates pelados enteros con albahaca. Busque una marca que diga “puré” para obtener mejores resultados.

1 cucharadita. (5,7 g) - Sal marina

Si utiliza sal marina molida fina le resultará más fácil incorporarla a la salsa que si utiliza una de molido grueso. Añadir a gusto de a 1/2 cucharadita (2,8 g) por vez.

EQUIPO

Procesadora

Licuada

Pasapurés

INDICACIONES

PASO 1 Abrir una lata de tomates y escurrirlos, conservando el puré o líquido.

PASO 2 Coloque los tomates en su procesadora, batidora o pasapurés.

PASO 3 Añada SAL MARINA a los TOMATES.

PASO 4 PASAPURÉS: pique los alimentos en forma manual usando una placa gruesa hasta que queden sólo las pieles en el recipiente.

PROCESADORA: Con el botón de batido por pulsación de su procesadora, pique los alimentos hasta lograr una consistencia de salsa espesa.

LICUADORA: con el botón de batido por pulsación de su licuadora, licue la mezcla hasta lograr una consistencia de salsa espesa (quizás sea necesario agregar un poco de puré/líquido restante para que los ingredientes se licuen bien).

PASO 5 Transfiera la salsa resultante a un recipiente y añada el puré/líquido restante a la salsa y mézclelos.

Un pasapurés de placa gruesa ofrece mejores resultados porque evita que la salsa se licue por demás. Las procesadoras y las licuadoras también sirven, pero asegúrese de seleccionar la opción de batido por pulsación para controlar la mezcla, licuando en lapsos breves hasta lograr la consistencia deseada.

PIZZA MARGARITA *rinde: Una pizza de 12" (30 cm)*

INGREDIENTES

Un bollo de masa de pizza

2 oz. (59 g) - Salsa para pizza

3 oz. (85 g) - Queso mozzarella fresco, en hebras

6-10 - Hojas de albahaca fresca, cortadas

1/2 - 1 taza (62,5-125 g) de harina para espolvorear la pala y cubrir la masa de la pizza

Sal marina (de molido grueso o fino)

Aceite de oliva extra virgen

EQUIPO

Pala de madera para pizza

Cucharón o cuchara grande

Espátula redonda para pizza

Pala metálica para pizza (Opcional)

Palo de amasar (Opcional)

INDICACIONES

PASO 1 Precaliente el horno para pizza durante 15 a 20 minutos.

PASO 2 Antes de comenzar, espolvoree la pala de madera con harina.

PASO 3 Cubra ambos lados de la masa con harina y quite el excedente.

PASO 4 Estire la masa a mano o con un palo de amasar en un disco de 12" (30 cm).

PASO 5 Coloque la masa de pizza extendida sobre la pala de madera y luego coloque una pequeña cantidad de aceite de oliva extra virgen sobre el borde de la corteza para obtener un color dorado uniforme.

PASO 6 Con un cucharón o cuchara grande, agregue la salsa para pizza y extienda de manera uniforme por la superficie.

PASO 7 Agregue queso mozzarella en forma generosa y pareja sobre la superficie con salsa de la pizza.

PASO 8 Espolvoree sal marina sobre la pizza.

PASO 9 Con un movimiento espiralado, rocíe un poco de aceite de oliva extra virgen sobre la pizza, comenzando por el centro y extendiéndose hacia los bordes.

PASO 10 Coloque su pizza al horno y cocine durante 1 minuto, y luego rótelas 1/4 o 1/3.

PASO 11 Rote la pizza 1/4 o un 1/3 cada 30 o 45 segundos para que la pizza se dore de manera uniforme.

PASO 12 Retire la pizza con pala metálica (aproximadamente 2 1/2 a 3 minutos*) y agregue hojas de albahaca fresca sobre la pizza. Vuelva a colocarla en el horno y cocínela entre 30 y 45 segundos más.

PASO 13 Retírela del horno, y ¡a disfrutar!

*El rendimiento puede variar.

CHULETAS DE CERDO ASADAS con HABAS VERDES y TOMATES CHERRY

rinde: 2 a 3

INGREDIENTES

2 chuletas de cerdo cortadas del centro de 1,5" (4 cm) de espesor
 15 a 20 tomates Cherry
 1/2 Lb. (225 g) de habas verdes
 1 cucharada (15 ml) - Aceite de oliva extra virgen
 Pimienta al limón
 Polvo de ajo
 Sal
 Pimienta

EQUIPO

2 placas ovales para asar o para hacer fajitas
 • 1 sartén de hierro fundido de entre 10" y 14" (26 a 36 cm) de diámetro
 Agarraderas para alta temperatura
 Pinzas metálicas o resistentes al calor
 Termómetro para carne

INDICACIONES

PASO 1 Precaliente el horno a temperatura máxima durante 15 a 20 minutos.

PASO 2 Condimente las chuletas de cerdo con pimienta al limón, ajo en polvo, sal y pimienta.

PASO 3 Rocíe ligeramente las habas y los tomates cherry con aceite de oliva, y añada sal y pimienta a gusto.

PASO 4 Lleve las chuletas de cerdo a las placas o a la sartén y coloque las habas y los tomates alrededor.

PASO 5 Con las agarraderas, coloque cuidadosamente las placas o la sartén en el horno, y cocine durante 4 o 5 minutos.

PASO 6 Con las agarraderas, rote con cuidado las placas o la sartén 180° (si el mango de la sartén no lo permite, utilice las pinzas para dar vuelta las chuletas) y continúe asando por entre 4 y 5 minutos, o hasta que el termómetro marque 145°F/62,8°C en el medio/centro de la parte más gruesa de las chuletas.

PASO 7 Con las agarraderas, quite con cuidado las placas o la sartén del horno para pizza y colóquelas en una superficie adecuada.

PASO 8 Con las pinzas, retire con cuidado las chuletas de cerdo de las placas o de la sartén y colóquelas sobre una tabla de cortar o sobre un plato, y déjelas reposar durante 3 a 5 minutos.

PASO 9 Una vez reposadas, sívalas con habas verdes y tomates y ¡a disfrutar!

*El rendimiento puede variar.

Preguntas frecuentes

¿Por qué mi Pizza Oven Box no está calentando lo suficiente?

Si su horno para pizzas no alcanza la temperatura adecuada para hornear, su parrilla puede utilizar plantillas de calor extra o barras Flavorizer®. Estos elementos se encuentran entre la rejilla de cocción y las hornillas, y desvían el calor de las hornillas hacia abajo. Una vez que la parrilla se haya enfriado completamente, retire las piezas y vuelva a utilizarlo. Además, si usted cuenta con una parrilla infrarroja, deberá quitar el protector de calor que se encuentra entre la rejilla de cocción y las hornillas, debido a que bloquea el calor y no permite que este llegue al horno.

¿Puedo cerrar la tapa de la parrilla mientras se utiliza el Pizza Oven Box?

Le aconsejamos mantener la tapa de la parrilla en posición completamente abierta durante el uso de la Pizza Oven Box con el fin de proteger a usted y a la parrilla. Si cierra la tapa de la parrilla total o parcialmente, mientras usa la Pizza Oven Box, puede hacer que los componentes de la parrilla se sobrecalienten, lo que puede resultar en daño a su parrilla y/o lesiones corporales en caso de que toque los componentes sobrecalentados.

¿Cómo se limpia la Pizza Oven Box?

Para limpiar las piedras, deje las hornillas abiertas a máxima temperatura durante unos 15 minutos. Cualquier residuo debe quemarse y los restos pueden rasparse hacia la parte posterior del horno con un cepillo de mango largo. No utilice productos de limpieza u otros líquidos para limpiar las piedras. Una vez que el horno se haya enfriado por completo, puede utilizar un paño húmedo para limpiar cualquier remanente. Naturalmente, la piedra permanecerá de color oscuro o negro. Si la piedra aún no se ve como usted desea, también puede quitar los soportes, voltear la piedra base y reinstalarlos. Esto le dará una piedra base limpia para usar y la próxima vez que utilice el horno para pizzas, cualquier remanente se quemará.

¿Por qué las muescas no se alinean con los soportes de la piedra o las horquillas de la piedra?

Las muescas no deben alinearse con los soportes de la piedra o las horquillas de la piedra

He golpeado y/o dejado caer mi horno mientras lo movía y se agrietó una piedra, ¿seguirá funcionando?

Sí, las pequeñas grietas no tienen ningún efecto en el rendimiento de cocción. Limpie el área con un paño húmedo para eliminar cualquier partícula de piedra suelta antes de usar.

¿Dónde puedo comprar piezas de repuesto?

Dependiendo de su ubicación, puede comprar piezas de repuesto a partir de los siguientes enlaces:

EE.UU.: <http://shop-usa.bakerstonebox.com/>

Canadá: <http://shop-canada.bakerstonebox.com/>

Australia: <http://www.bakerstonebox.com.au/>

Nueva Zelanda: <http://www.bakerstonebox.co.nz/>