



SERVICE FIRST

HEAVY DUTY ANODIZED PIN-LOCK TELESCOPING FLAGPOLE KIT

Only available from ServiceFirst™



SERVICE FIRST

Veteran owned and operated

Service First is owned and operated by Parker McCumber, an OEF Veteran, who served with the 2nd Cavalry Regiment and 1st Cavalry Division as a Forward Observer and Fire Support Section Chief.

Parker has also served several years in the Utah National Guard as a Targeting NCO, and is continuing his service and transitioning to officer-ship with the Utah National Guard. We know the sacrifice service members make, and recognize their contributions to our great nation as we pay respect to our flag and all it represents.

“I believe every American should be able to fly our nation’s flag proudly, and the mission of Oldgloryflagpole.com is to make it easy and affordable for everyone to have a beautiful flagpole in their yard and at their home.”

-Parker McCumber



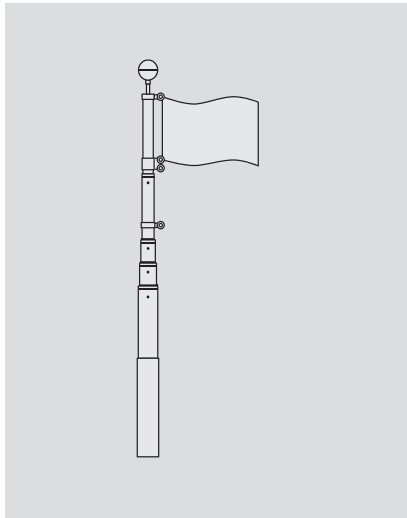


PARTS

Delta Series Heavy Duty Pin-Lock Telescoping Flagpole Kit

Only available from **ServiceFirst™**

Kit includes:



A



Golden Ball Finial
(May need minor assembly)

B



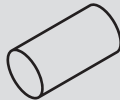
Flag clips (x4)

C



Telescoping flagpole

D



18" PVC Ground sleeve

E



Nylon bushing & set screw (x2)

F



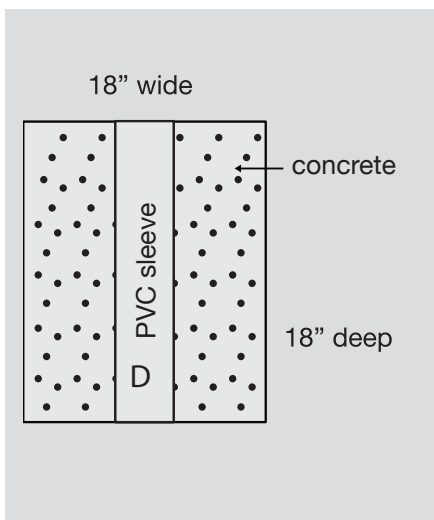
3x5 100d Outdoor rated American flag



INSTRUCTIONS

Installing your ground sleeve

A complete installation video is available at www.ServiceFirstProducts.com or scan the code to the right to be taken directly to the page.



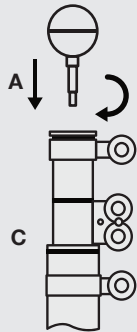
- 1** Dig a hole approximately 18" deep x 18" wide. Depending on your soil type and wind conditions you may want to enlarge the hole slightly, however in typical conditions the 18"x18" size will be sufficient.
- 2** You will need anywhere from 3-6 bags of 50 lbs concrete to fill the hole and surround your PVC sleeve.
- 3** Once the hole is finished, place the sleeve vertically in the hole and fill around the sleeve with concrete. You can either fill with premixed (water & concrete) concrete or fill with dry concrete and then add water to the dry mix. (see concrete bag for mixing instructions)
- 4** Begin to level the flagpole sleeve in the ground by slipping the flagpole (not extended) into the sleeve. Then apply a level on all sides of the flagpole to ensure it is perpendicular. More information on how to do this can be found in the installation video found on our website. Make sure to do this while the concrete is still wet to allow for adjustments.
- 5** Allow the concrete to cure as directed. Install your Flagpole inside the PVC sleeve.

Optional: Use the optional Service First flagpole boot to keep water and debris out of your sleeve and use Service First Flash Collar to cover exposed concrete/boot for a finished look. (Collar and boot sold separately, not required)



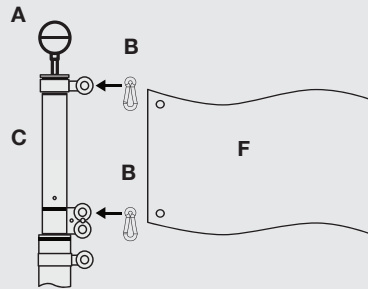
INSTRUCTIONS

Building your flagpole



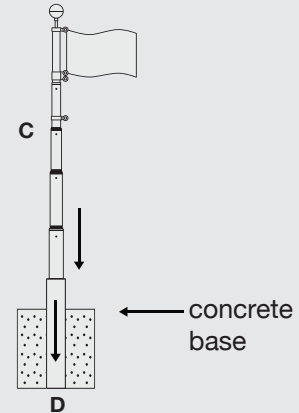
- 1 Screw the (A) gold ball finial in the top of the Flagpole (C). The (A) gold ball may need assembly before installation.
- 2 If installing a pole top solar light, insert stem of the gold ball through the solar light and hand tighten.

Note: An optional gold eagle finial is also available for your flagpole and will work with your solar light.



- 3 Connect your Flag(s) (F) to your stainless steel clips (B) and then to the flagpole swivel(s) on your flagpole (C).

Note: The 20' telescoping pole is designed to hold up to (2) 3'x5' Flags. The 25' pole is designed to hold (2) 4'x6' or 3'x5' flags or a combination of those sizes.



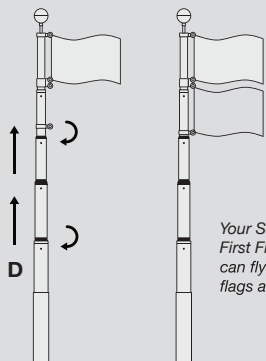
- 4 Once your concrete has cured insert the flagpole (C) into your ground sleeve (D)

Note: An optional Flash Collar is available to cover the expose concrete and give your flagpole a nice finished look. This is available on our website:
www.ServiceFirstProducts.com



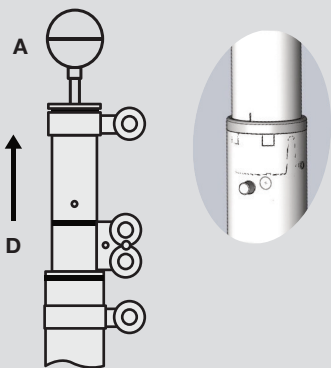
INSTRUCTIONS

Building your flagpole

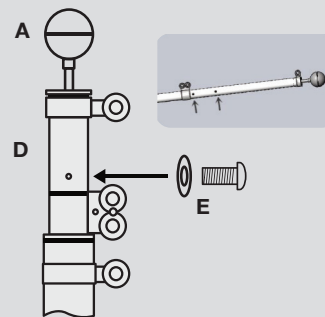


Your Service First Flag Pole can fly two flags at once

- 5** Beginning with the top section, extend your flagpole.



- 6** As you extend the flagpole, rotate each section until the stainless steel pin pops out securing the section in place. There is a small engraved arrow marking the location of each pin.



- 7** Insert screw and nylon bushing (**E**) in the hole corresponding with the flag size you choose. Tighten the screw while allowing the bushing to continue to spin freely. Do not overtighten.

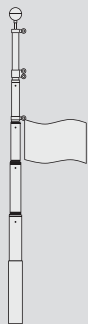
Note: some flags may vary slightly in size. To accommodate this you may need to use two flagpole clips to allow the flag to attach to the swivel clip properly once the screw and bushing is installed.



ACCESSORIES

Half-staff

Flagpole



There are a couple ways to fly your flag at half staff. Because a telescoping pole, by design, uses swivel clips, it makes it more complicated to achieve a half staff position. However we do have 2 easy solutions to accomplish this.

1. Add a Halyard system to Your flapole.
2. Use our flag tether

Note: *These methods are explained in detail on our website. Please visit www.ServiceFirstProducts.com to find a video on this topic.*

Flagpole Accessories



Flash Collar

Give your flagpole the perfect finishing look. Covers concrete base.



Flag Tether & Weight

Allow you to fly a flag at half staff, reduces stress on the flagpole, and gives you a nice clean look.



Flagpole Adapter

Allows you to keep an existing 2" ground sleeve while upgrading the flagpole to a 3" design. No concrete removal required.



Gold Eagle Finial

The perfect finial for your flagpole



Additional Flags

We carry hundreds of different flags, including state, political, military, sports teams and more.



Solar Lights

Achieve the perfect light for your flagpole without hard wiring a light system. Charges by day and automatically lights at night.



**1 SERVICE
★ FIRST**

Veteran owned and operated

Tel: 385-985-7244

Email: Contact@WeAreServiceFirst.com

www.ServiceFirstProducts.com