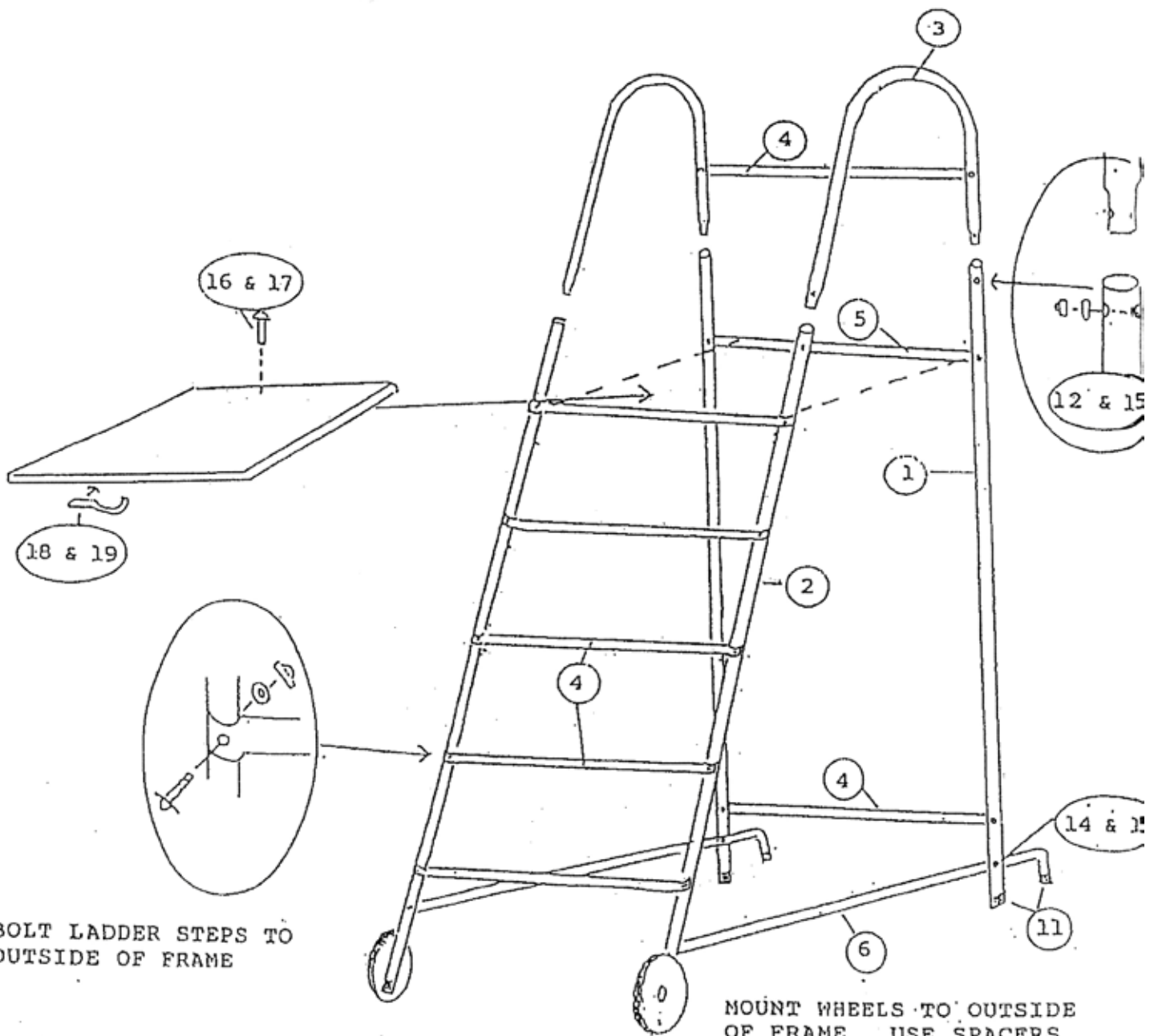


# First Team Sports, Inc.

## FT5050 Economy Volleyball Judges Stand

1. 2 EACH REAR UPRIGHT - 5' LONG
2. 2 EACH FRONT UPRIGHT - 5' LONG
3. 2 EACH U-SHAPED TOP HANDLES
4. 7 EACH CROSS SUPPORTS - CURLED ON BOTH ENDS
5. 1 EACH CROSS SUPPORT - CURLED ON BOTH ENDS WITH HOLE IN CENTER
6. 2 EACH BOTTOM SUPPORT BENT ON BOTH ENDS • 1 LEFT HAND • 1 RIGHT HAND
7. 1 EACH 2' X 2' PLYWOOD COVERED WITH CARPET
8. 2 EACH 8" WHEELS
9. 2 EACH AXLES AND AXLE WASHERS
10. 4 EACH AXLE CAPS
11. 6 EACH 1-1/4" RED END CAPS
12. 4 EACH 5/16" X 1-1/2" CARRIAGE BOLTS
13. 18 EACH 5/16" X 1-3/4" CARRIAGE BOLTS
14. 2 EACH 5/16" X 2-1/2" CARRIAGE BOLTS
15. 24 EACH 5/16" WASHERS AND NUTS
16. 1 EACH 1/4" X 2" CARRIAGE BOLT
17. 1 EACH 1/4" WASHER AND NUT
18. 2 EACH PLATFORM CLAMP
19. 2 EACH PLATFORM CLAMP SCREW
20. 2 EACH 3/16" FLAT WASHER
21. 2 EACH FOAM PADDING FOR PLATFORM FEET

NOTE: It is recommended to finger tighten stand first. When completely assembled, tighten all nuts and bolts securely. Start with upper bolts on VERTICAL part #1 & #2 attaching to #3. Then bottom VERTICAL parts #1 & #2 attaching to part #6, proceed to tighten remaining HORIZONTAL part #4 & #5.



BOLT LADDER STEPS TO OUTSIDE OF FRAME

MOUNT WHEELS TO OUTSIDE OF FRAME. USE SPACERS BETWEEN FRAME AND WHEEL. SEE FIGURE BELOW:

NOTE: It is recommended to finger tighten stand first. When completely assembled, tighten all nuts and bolts securely. Start with upper bolts on VERTICAL part #1 & #2 attaching to #3, Then bottom VERTICAL parts #1 & #2 attaching to part #6, proceed to tighten remaining HORIZONTAL part #4 & #5.

