

Features

- Premium CREE XM-L2 U2 LED
- Maximum output of 500 lumens
- Maximum runtime of up to 1 hour on high mode
- Water, dust and impact resistant
- Multiple output modes are conveniently accessed via button switch
- Can use both AA and Li-Ion 14500 battery
- Rechargeable with USB
- Constructed from aerospace-grade aluminum alloy
- Equipped with a magnet and clip for easy methods of securing the light during use

Included Items

- 1 x GOVOLT® 14500 Li-ion Rechargeable Battery
- 1 x Micro USB cable
- 1 x Headband
- User Manual, Warranty Card

Optional Accessories

- GOVOLT® Nano Charger

Dimensions

- Head Diameter: 1.1" / 28mm
- Battery Pack: 0.94" / 24mm
- Weight: 3.07oz / 87 grams (without batteries)

Maintenance

Every 6 months, threads should be wiped with a clean cloth followed by a thin coating of silicon-based lubricant.

Warranty Service

All GOVOLT® products are warranted for quality. DOA / defective products can be exchanged for replacement through a local distributor/dealer within the 14 days of purchase. After 14 days, all defective / malfunctioning GOVOLT® products will be repaired free of charge for a period of 18 months from the date of purchase. After 18 months, a limited warranty applies, covering the cost of labor and maintenance, but not the cost of accessories or replacement parts.

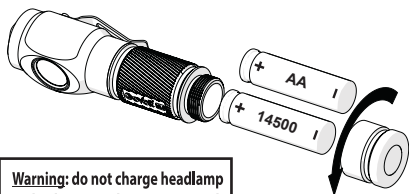
The warranty is nullified in all of the following situations:

1. The product(s) is/are broken down, reconstructed and/or modified by unauthorized parties.
2. The product(s) is/are damaged through improper use.
3. The product(s) is/are damaged by leakage of batteries.

For full terms visit the warranty section at www.govolt.com

For the latest information on GOVOLT® products and services, please visit govolt.com, contact your national GOVOLT® distributor, or send an email to contact@govolt.com.

OPERATING INSTRUCTIONS



Warning: do not charge headlamp with alkaline AA battery installed

BATTERY INSTALLATION (see above diagram)

1. Unscrew the end cap in a counter-clockwise direction.
2. Insert 14500 Li-Ion battery (or AA alkaline cell) with the positive pole pointing inward (when looking at the front)

NOTE: Ensure batteries are inserted with the positive (+) end pointing towards the correct direction. The HL3 will not operate with incorrectly inserted batteries

CHARGING HEADLAMP

1. Turn the head clockwise to expose the micro USB charging port
2. Insert Micro USB connector into charging port
3. Wait until indicator light on the charger turns from blinking red to solid green
4. Turn head counterclockwise to hide and seal charging port from elements

SWITCHING ON/OFF

TO SWITCH ON: Press the green button on the head until a "Click" is heard.

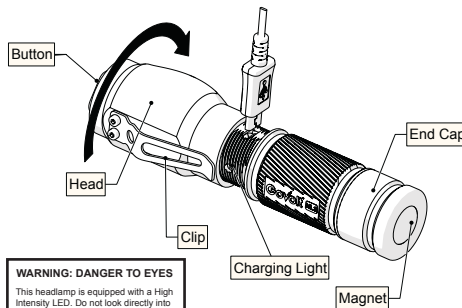
TO SWITCH OFF: Press the green button on the head a second time until a "Click" is heard.

MODE SWITCHING

The HL3 has 4 modes: High, Medium, Low, and Strobe.

These 3 modes can be changed by lightly pressing the button on the head.

Note: After three minutes of use in High mode, the flashlight will lower its output automatically to prevent overheating and increase run time.



WARNING: DANGER TO EYES
This headlamp is equipped with a High Intensity LED. Do not look directly into the light as this could cause permanent damage to your eyes and vision. This is not a toy. Keep out of reach of children.

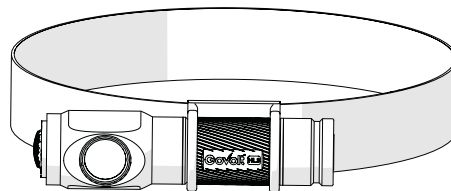
PERFORMANCE SPECIFICATIONS

FL1 STANDARD	HIGH	MEDIUM	LOW	STROBE
	500 LUMENS	300 LUMENS	100 LUMENS	250 LUMENS
	1h00min	1h40min	5h00min	2h00min
	0h30min	0h50min	2h30min	1h00min
	300m (Beam Distance)			
	13000 cd (Peak Beam Intensity)			
	1.5m (Impact Resistant)			
	IPX-4 (water resistant)			

Govolt® HL3

USB High Powered LED Headlamp

USER MANUAL



Govolt®

ZURCO®

TEL: 888-778-2823

E-mail: contact@govolt.com

Address: 2445 Hilton Drive, Suite 126
Gainesville, Georgia 30501

Designed In USA
Made In China



WWW.GOVOLT.COM