



WARRANTY & RATING



SPECIFICATIONS

- Wattage: 50W max
- Voltage: AC/DC 9-24V
- Luminous Flux: N/A
- Beam Angle: N/A
- Color Rendering Index (CRI): N/A
- Lifespan: N/A
- Light Source: MR16 5.3mm (Socket: GU5.3)
- Color Temperature (CCT): N/A
- Waterproof Rating: wet locations
- Operating Temperature: -10 to 50°C (-14 to 122°F)
- Material: Brass

PRODUCT DESCRIPTION

Crafted from corrosion-resistant brass, this directional up light is built for peak performance in harsh conditions, including coastal regions. It supports an MR-16 lamp, making it ideal for highlighting landscape features such as trees and backyard fences. Designed to meet commercial standards within modest budgets.

FEATURES & BENEFITS

- Complies with ETL standards.
- Made from solid cast brass with a natural bronze finish for superior heat dissipation and corrosion resistance.
- Lamp ready with a GU5.3 bi-pin socket, optimized for MR16 bulbs up to 50W.
- Allows for vertical adjustment up to 200° and horizontal rotation of 355° for precise directional lighting.
- Compatible with 9-24V AC/DC.

POWER AND ELECTRICAL FEATURES

- Product complies with ETL standards, features UL-certified wiring, and an ETL-certified ceramic socket.
- The product is designed to accommodate halogen and LED MR16 bulbs (not included with the product) with a maximum wattage of 50W for both halogen and LED.
- It is compatible with a working voltage range of AC/DC 9-24V.
- The electrical wires are made from brass, and the exposed power cord is 18# SPT-1W, with a length of approximately 3.28 feet, with 0.39 inches stripped at the end and tinned.

DESIGN AND STRUCTURE

- Constructed from solid cast brass with a natural bronze finish and equipped with a convex glass lens.
- Separate bulb and fixture design offers longer lifespan than integrated LED units, allowing bulb replacement without discarding the entire fixture.

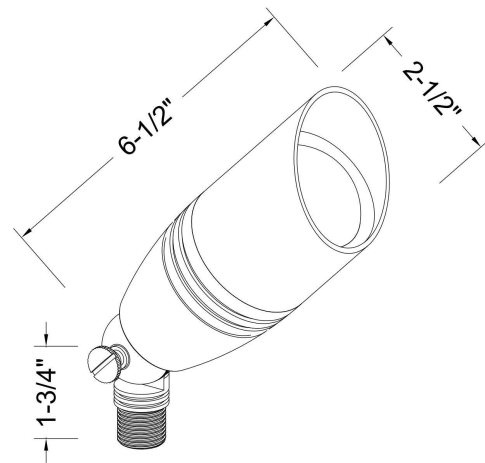
ADDITIONAL COMPONENTS

- ABS ground spike

LED AND OPTICAL PERFORMANCE

- The fixture features a drop-in light source with a GU5.3 socket, compatible with MR16 5.3mm pin bulbs (bulbs not included).

PRODUCT DIAGRAM



Size in mm
1" = 25.4mm.