

### WARRANTY & RATING



### SPECIFICATIONS

- Wattage: 20W max
- Voltage: AC/DC 9-24V
- Luminous Flux: N/A
- Beam Angle: N/A
- Color Rendering Index (CRI): N/A
- Lifespan: N/A
- Light Source: G4 4mm (Socket: GU5.3)
- Color Temperature (CCT): N/A
- Waterproof Rating: wet locations
- Operating Temperature: -10 to 50°C (-14 to 122°F)
- Material: Brass

### PRODUCT DESCRIPTION

Constructed from durable solid brass, this fixture supports a G4 lamp and features corrosion-resistant internal components, ensuring peak performance for years. Featuring a unique hammered shade design, this fixture also serves as an attractive garden ornament. It is a versatile lighting solution for both pathway and area illumination.

### FEATURES & BENEFITS

- Complies with ETL standards.
- Made from solid cast brass with a patinated bronze finish for superior heat dissipation and corrosion resistance.
- Beryllium copper socket for optimal corrosion resistance.
- Lamp ready with a GU5.3 bi-pin socket, optimized for G4 4MM bulbs up to 20W.
- The underside of the lampshade is coated with white reflective paint to achieve higher light output.

### POWER AND ELECTRICAL FEATURES

- Product complies with ETL standards, features UL-certified wiring, and an ETL-certified ceramic socket.
- The product is designed to be compatible with both halogen lamps and LED G4 bulbs, though the bulbs are not included. It accommodates a maximum wattage of 20W for both halogen and LED bulbs. The working voltage is AC/DC 9-24V.
- The wiring is comprised of brass material. The exposed power cord uses 18# SPT-1W wire, with a length of approximately 3.28 feet, the end of which is stripped by 0.39 inches and tinned.

### DESIGN AND STRUCTURE

- The light fixture is made of brass with a pre-aged bronze finish that will develop a natural and beautiful patina over time.
- 1" diameter thick pole with machine threading tightened onto an O-ring, coupled with a silicone plug to seal the lead-out opening, ensuring a moisture-proof seal.
- Separate bulb and fixture design offers longer lifespan than integrated LED units, allowing bulb replacement without discarding the entire fixture.
- The longer design of the lamp post allows it to be inserted among flower beds and shrubs, illuminating plants from above.

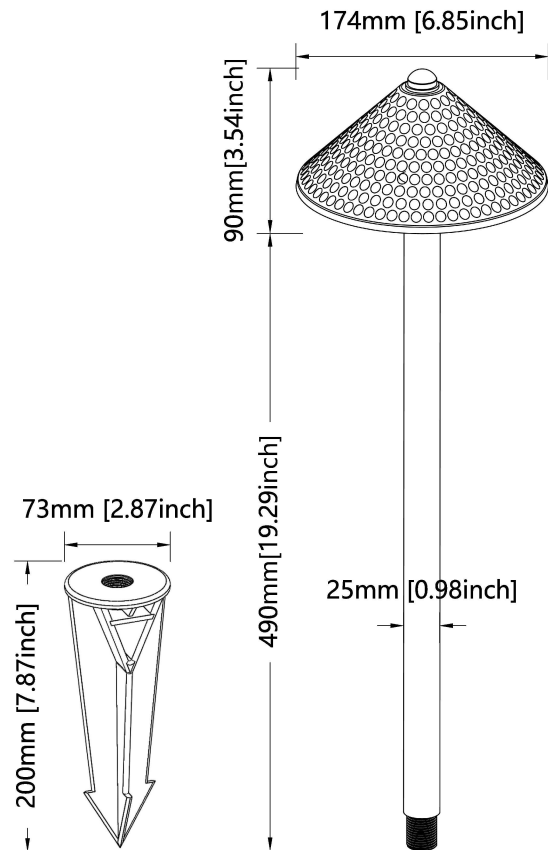
### ADDITIONAL COMPONENTS

- ABS ground spike

### LED AND OPTICAL PERFORMANCE

- The fixture features a drop-in light source with a GU5.3 socket, compatible with G4 4MM pin bulbs (bulbs not included).

### PRODUCT DIAGRAM



Size in mm  
1" = 25.4mm.