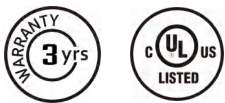




### WARRANTY & RATING



### SPECIFICATIONS

- Wattage: 30W
- Voltage: 100-277V AC
- Luminous Flux: 4000lm
- Beam Angle: 22°
- Color Rendering Index (CRI): 70
- Lifespan: 50,000hrs
- Light Source: LED
- Color Temperature (CCT): 3000K / 5000K (Available in two models)
- Waterproof Rating: Wet location
- Operating Temperature: -4°F-104°F
- Material: Die-casted aluminum

### PRODUCT DESCRIPTION

LEONLITE 30W LED Spotlight, engineered for commercial-grade brightness, illuminates up to 20 feet, ideal for flagpoles or palm trees. Features a 22° focused beam angle with a specialized lens for accurate lighting. Compatible with 100-277V and easily mountable on pipes or bases with its 1/2-inch threaded joint.

### FEATURES & BENEFITS

- 100-277V compatibility, adaptable for diverse commercial settings.
- Ultra-bright 4000LM, ideal for 20+ feet illumination; energy-efficient LED.
- 22° focused beam, precise lighting; special lens, reduced wastage.
- 1/2-inch threaded joint, installable on base/tube; 180° rotatable knuckle mount.
- Weatherproof and durable; UL-Listed, reliable for outdoor use.

## POWER AND ELECTRICAL FEATURES

- The light fixture is UL and cUL certified (UL File #: E483011), with a total power rating of 30W and a voltage range of 100-277Vac. It draws 0.3A of current and produces approximately 4000 lumens, serving as an efficient alternative to a 200W halogen bulb.
- The unit features an isolated power supply with a UL-listed SJTW power cord, which is made of tinned copper and measures 0.59 feet in length.

## DESIGN AND STRUCTURE

- This commercial-grade fixture is compatible with 277V commercial voltage. It features a 1/2-inch threaded joint for direct mounting on water pipes or bases. The knuckle mount is capable of 180° rotation, allowing for adjustable lighting direction.
- With a 22° beam angle and a specially designed lens, the light provides bright and accurate illumination, suitable for lighting tall structures like palm trees or flag poles, reaching heights of 20 feet or more.

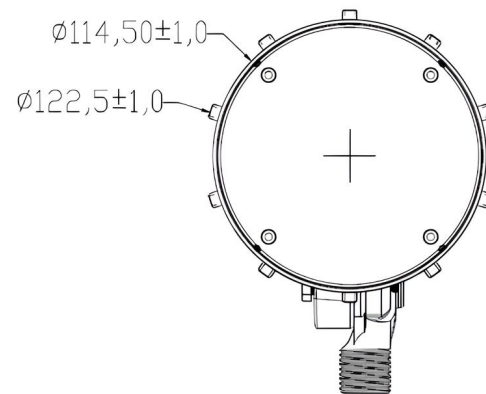
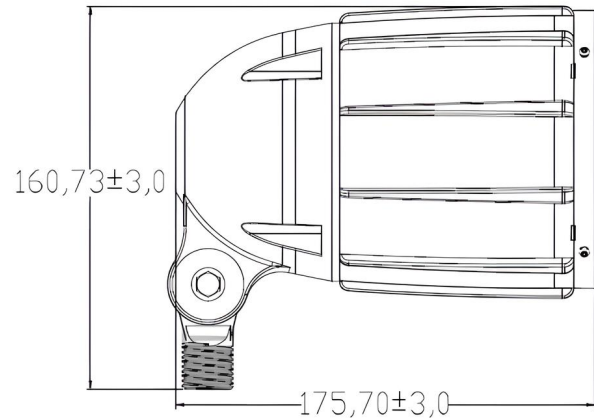
## ADDITIONAL COMPONENTS

- This fixture requires no additional accessories due to its integrated light source.

## LED AND OPTICAL PERFORMANCE

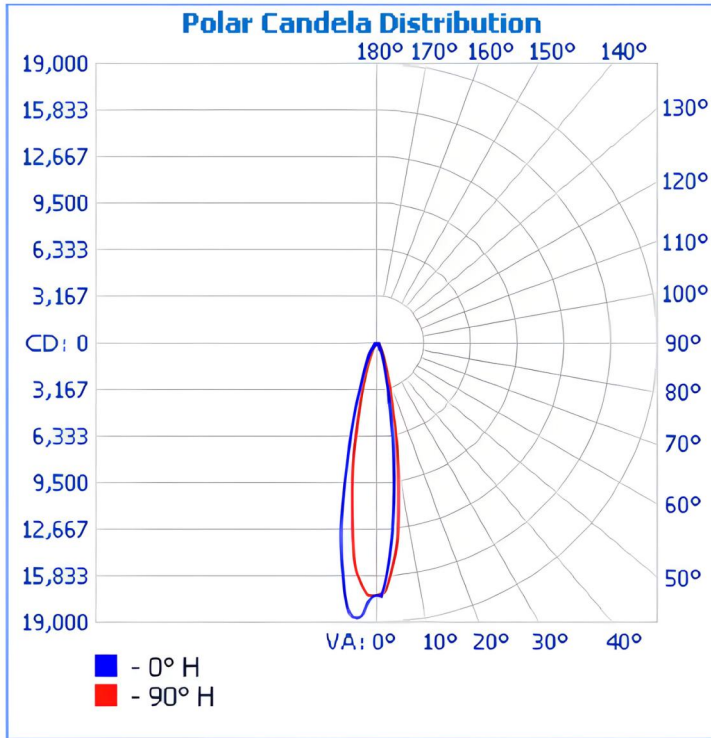
- The fixture contains 38 SMD LED beads, each measuring 3.0×3.0×0.6mm, with a color rendering index (CRI) of 70. These LEDs have a rated power of 0.93W and operate at a current of 150mA, achieving an efficiency of 169 lumens per watt.
- It is available in two color temperature models: 3000K and 5000K.

## PRODUCT DIAGRAM



Size in mm  
 1" = 25.4mm.

## PHOTOMETRICS



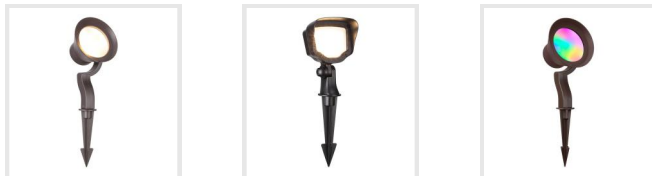
**Illuminance at a Distance**

	Center Beam LUX	Beam Width	
2.17M	<b>3,651 LUX</b>	<b>0.78 M</b>	<b>0.77 M</b>
4.33M	<b>913 LUX</b>	<b>1.56 M</b>	<b>1.54 M</b>
6.50M	<b>406 LUX</b>	<b>2.35 M</b>	<b>2.31 M</b>
8.67M	<b>228 LUX</b>	<b>3.13 M</b>	<b>3.07 M</b>
10.83M	<b>146 LUX</b>	<b>3.91 M</b>	<b>3.84 M</b>
13.00M	<b>101 LUX</b>	<b>4.69 M</b>	<b>4.61 M</b>

■ Vert. Spread: 20.5°  
 ■ Horiz. Spread: 20.1°

## Commercial-Style Wide-Angle Flood Lights

Designed to illuminate extensive outdoor spaces with a clear, widespread glow.



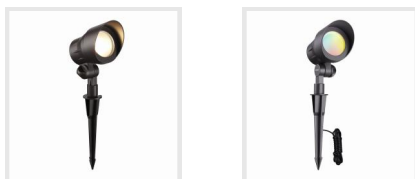
Beam angle: 65°

Beam angle: 75°

Beam angle: 65°

## Versatile Mid-Angle Outdoor Flood Lights

wall washing, highlighting, texture grazing, shadow casting, and silhouette lighting.

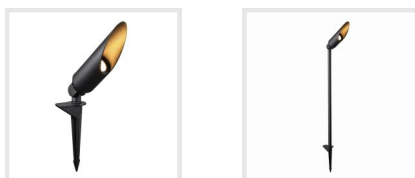


Beam angle: 48°

Beam angle: 48°

## Narrow-Beam Focus Spot Lights

Perfect for accentuating specific features, whether it's building decor or garden highlights.



Beam angle: 15°

Beam angle: 15°

## 277V High-Luminosity Commercial Lights

Engineered for extraordinary brightness in commercial applications.



Beam angle: 35°

Beam angle: 120°

## Fountain & Pond Underwater Lights

Designed to accentuate water flows and illuminate fish, without harming the ecosystem.



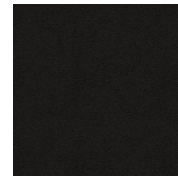
Beam angle: 15°

## All Color Options

some models may have limited choices.



Stainless Steel



Matte Black



Oiled Rubbed Bronze

## Compatible Accessories



Note: Also available in 10/2, 12/2, 14/2 sizes.

