

WARRANTY & RATING



SPECIFICATIONS

- Wattage: 5 watts
- Voltage: 12-24 Volts AC/DC
- Luminous Flux: 350 Lumen
- Beam Angle: 15° ± 3°
- Color Rendering Index (CRI): 90.00
- Lifespan: 30,000 Hours
- Light Source: LED
- Color Temperature (CCT): 2700K/3000K/4000K Adjustable
- Waterproof Rating: IP65
- Operating Temperature: -4°F to 122°F
- Material: Die-Cast Aluminum

PRODUCT DESCRIPTION

LEONLITE's 5W Spotlight offers a 15° narrow beam for precise lighting of architectural details or garden elements, featuring a 180° adjustable head, selectable CCT, and stake-free installation option for versatile outdoor use.

FEATURES & BENEFITS

- Precision Lighting: 15° narrow beam for highlighting specific features.
- Flexible Positioning: 180° adjustable head for targeted illumination.
- Customizable Ambiance: 3CCT color selection for varied lighting needs.
- Versatile Installation: Stake-free option for easy outdoor spotlight use.
- Durable and Safe: ETL listed, IP65 waterproof, and high CRI90 for true color rendering.

POWER AND ELECTRICAL FEATURES

- The product is ETL certified, suitable for North American safety standards, and operates on a 12V to 24V AC/DC range with a 5-watt power consumption.
- It features UL certified wires and plug, made from brass. Connections are made using waterproof wire caps for secure and safe outdoor use. The electrical cord is a 20 AWG outdoor wire, roughly 4.9 feet long, provided for easy installation.

DESIGN AND STRUCTURE

- The spotlight's 15° narrow beam is ideal for illuminating distinct features like a building's cross or a garden flower from afar, similar to narrow-angle spotlights.
- It has a 180° adjustable head for flexible lighting direction, reaching up to a horizontal level but not downwards, enhancing its targeting capability.
- Designed for versatile installation, it can be used without a ground stake, making it suitable as a standalone outdoor spotlight, offering flexibility in placement.

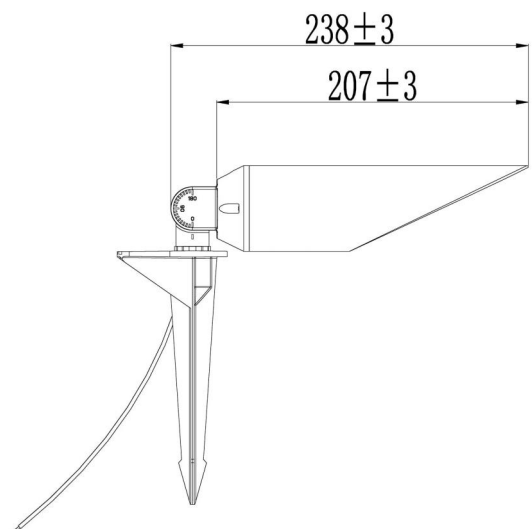
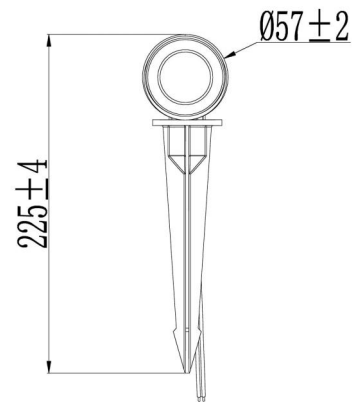
ADDITIONAL COMPONENTS

- The package includes two waterproof caps for the wire connections, enhancing the product's durability and safety in outdoor environments.

LED AND OPTICAL PERFORMANCE

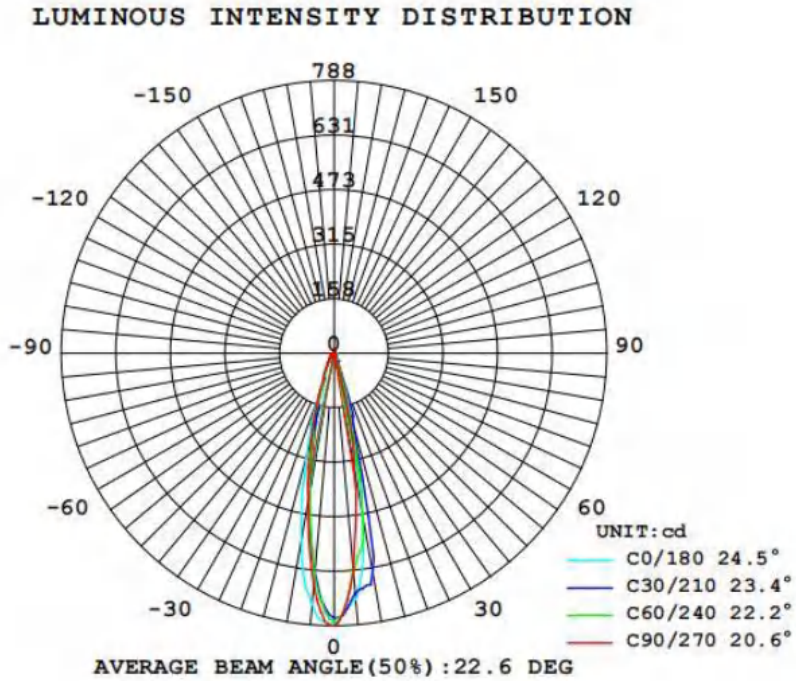
- The spotlight offers three selectable color temperatures: 2700K, 3000K, and 4000K, adjustable via a silicone button.
- The spotlight contains 6 SMD LED beads, size 3030, with a high color rendering index (CRI) of $\geq 90+$, ensuring vibrant and accurate color representation in outdoor settings.
- An optical lens is used in conjunction with an external glass cover for optimal light distribution. The luminaire provides a luminous flux of $350\text{lm}\pm 5\%$ as a complete unit and $450\text{lm}\pm 5\%$ for the LED module alone.

PRODUCT DIAGRAM

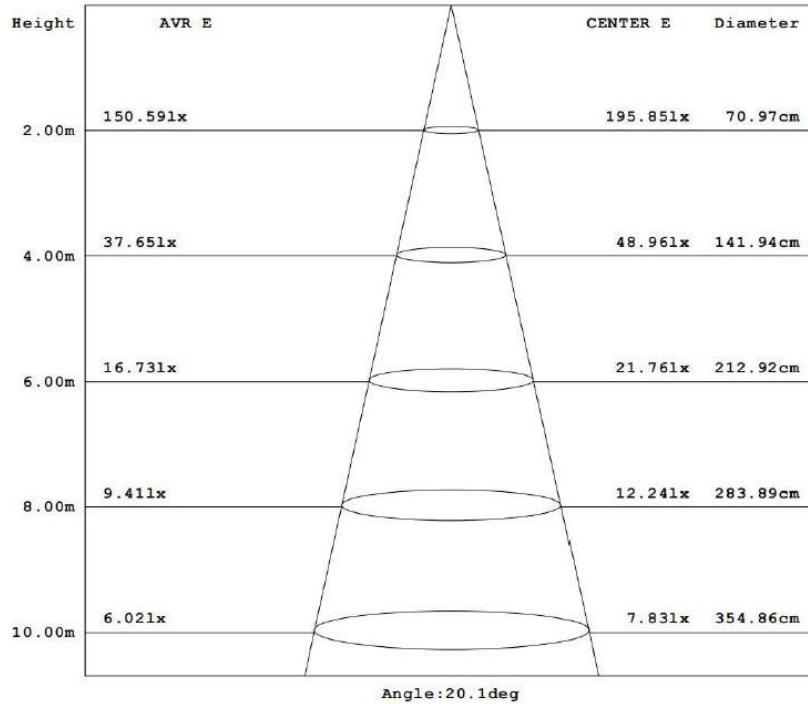


Size in mm
 1" = 25.4mm.

PHOTOMETRICS

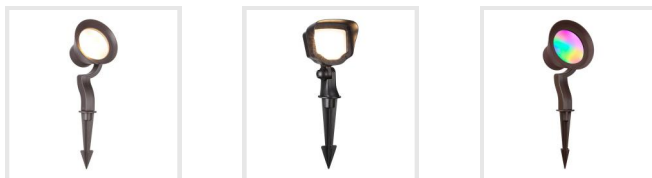


AVERAGE AND CENTER E Figure



Commercial-Style Wide-Angle Flood Lights

Designed to illuminate extensive outdoor spaces with a clear, widespread glow.



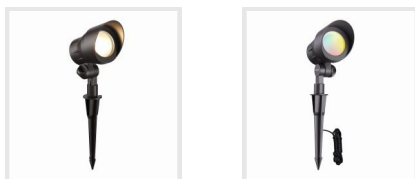
Beam angle: 65°

Beam angle: 75°

Beam angle: 65°

Versatile Mid-Angle Outdoor Flood Lights

wall washing, highlighting, texture grazing, shadow casting, and silhouette lighting.

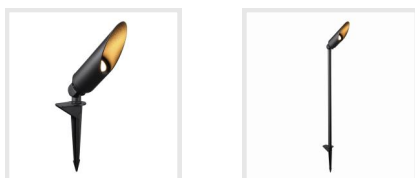


Beam angle: 48°

Beam angle: 48°

Narrow-Beam Focus Spot Lights

Perfect for accentuating specific features, whether it's building decor or garden highlights.



Beam angle: 15°

Beam angle: 15°

277V High-Luminosity Commercial Lights

Engineered for extraordinary brightness in commercial applications.



Beam angle: 35°

Beam angle: 120°

Fountain & Pond Underwater Lights

Designed to accentuate water flows and illuminate fish, without harming the ecosystem.



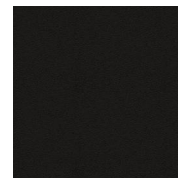
Beam angle: 15°

All Color Options

some models may have limited choices.



Stainless Steel



Matte Black



Oiled Rubbed Bronze

Compatible Accessories



Note: Also available in 10/2, 12/2, 14/2 sizes.

