

WARRANTY & RATING



SPECIFICATIONS

- Wattage: 2.5W
- Voltage: AC/DC 12-36V
- Luminous Flux: 160lm
- Beam Angle: 120°
- Color Rendering Index (CRI): 80
- Lifespan: 50000H
- Light Source: LED
- Color Temperature (CCT): 3000K
- Waterproof Rating: IP65
- Operating Temperature: -13°F to 113°F (-25°C to 45°C)
- Material: Die-casted aluminum

PRODUCT DESCRIPTION

Modern style LED Low Voltage Deck & Rail Lights feature a unique radiating light effect with anti-glare shielding, suitable for higher placement. The dual AC/DC 12-36V compatibility ensures maximum prevention of voltage drop. At about 4 inches wide, they're ideally sized for American fences, stair posts, and steps.

FEATURES & BENEFITS

- Unique radiating light effect adds artistic ambiance
- Anti-glare shield for high placement, enhancing comfort
- 12-36V AC/DC compatibility prevents voltage drop
- 4-inch design fits US fences, stair posts, steps
- IP65 waterproof for all-weather durability
- Pre-molded cable groove, special heat dissipation lowers installation, maintenance costs

POWER AND ELECTRICAL FEATURES

- The fixture's efficient 2.5W operation is enhanced by its compatibility with 12-36V AC/DC power sources, effectively minimizing voltage drop.
- Its wires and plug carry UL certification, are made of durable brass, and connect using waterproof caps, measuring 4.92 feet in length.

DESIGN AND STRUCTURE

- Designed with a modern aesthetic, the fixture is cast in aluminum and comes in Brass Brown or Oil Rubbed Bronze. It features a distinctive ray-like emission of light that adds artistic flair.
- An anti-glare shield allows for higher positioning, while pre-molded grooves for cable management and special heat dissipation spaces contribute to lower installation and ongoing maintenance costs.

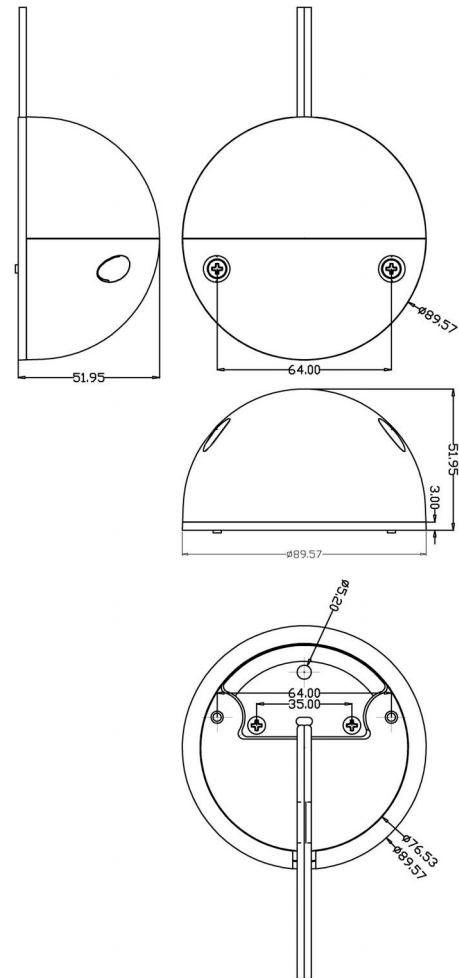
ADDITIONAL COMPONENTS

- Two mounting screws are included to ensure easy and secure installation.

LED AND OPTICAL PERFORMANCE

- It features a single SMD5050 LED bead, producing 160 lumens with a color rendering index (CRI) of 80

PRODUCT DIAGRAM



Size in mm
 1" = 25.4mm.

Dual-Purpose Step and Deck Lights

Slim and safe, dual-purpose low-voltage lighting for steps and decks.



Tende Orizzontali Step & Deck Light



Retro Baffle Step & Deck Light

277V Compatible Commercial Step Lighting

Seamlessly integrates with commercial voltages.



ZincTech Commercial Upright Gradience Step & Deck Light



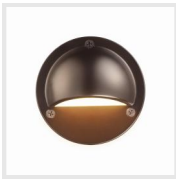
ZincTech Commercial Parallel Gradience Step & Deck Light



ZincTech Commercial Louvered Step & Deck Light

Classic Glow Series

Retro design meets modern lighting.



Semisfera Deck & Rail Light



Quadrifoglio Deck & Rail Light



Pro Parallel Retro Louvered Step & Deck Light

Modern Elegance Series

Blending utility with modern aesthetics.



Affusolato Deck & Rail Light



Nova Deck & Rail Light



Vertebre Deck & Rail Light

All Color Options

some models may have limited choices.



Satin Nickel



Matte Black



Oiled Rubbed Bronze

Compatible Accessories



Outdoor Transformer, AC to DC, 12V 60W, Timer & Photocell



Outdoor Transformer, AC to DC, 12V 100W, Timer & Photocell



Outdoor Transformer, AC to DC, 12V 120W, Timer & Photocell



Waterproof Wire Nuts - Large (For terminals/multiple connections, fits 12AWG - 22AWG, up to 8 wires of 16/2)



Waterproof Wire Nuts - Medium (Fits 14AWG - 22AWG, up to 3 wires of 16/2)

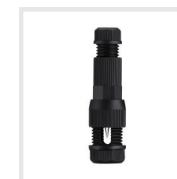


Low Voltage Landscape Lighting Cable, 16/2

Note: Also available in 10/2, 12/2, 14/2 sizes.



Landscape Light Wire Connector (14-16 AWG Compatible)



EasyConnect Wire Connector (14-16 AWG Compatible)