

WARRANTY & RATING



SPECIFICATIONS

- Wattage: 2.5W
- Voltage: AC/DC 12-36V
- Luminous Flux:
170lm(2700K)/180lm(3000K)/200lm(4000K)
- Beam Angle: 120°
- Color Rendering Index (CRI): 80
- Lifespan: 50000H
- Light Source: LED
- Color Temperature (CCT): 2700K/3000K/4000K adjustable
- Waterproof Rating: IP65
- Operating Temperature: -4°F to 113°F (-20°C to 45°C)
- Material: Die-casted aluminum

PRODUCT DESCRIPTION

LED Low Voltage Deck & Rail Lights provide consistent, maintenance-free lighting with a classic look and anti-glare downlighting. A 4-inch width fits standard US fences and posts, while 3CCT adjustability complements existing yard lighting. The 12-36VACDC range maintains optimal power and prevents voltage drop.

FEATURES & BENEFITS

- Classic design, frosted glass for glare-free ambient light
- 12-36VACDC range supports various power, minimizes drop
- 4-inch wide for American fences, stair posts, steps
- 3CCT adjustable to harmonize with existing yard lighting
- IP65 waterproof for safety, weather resistance

POWER AND ELECTRICAL FEATURES

- Rated at 2.5W, the light supports an AC/DC 12-36V operation to minimize voltage drop efficiently.
- Wires are UL listed with brass material, and connections are made using waterproof wire nuts, with a 20# SPT-1W wire rated at 105°C, extending 3.94 feet in length.

DESIGN AND STRUCTURE

- The light features a die-cast aluminum housing in matte black with a vintage design, downward lighting complemented by a frosted glass lens for glare prevention, and an upgraded waterproof gasket design to ensure water resistance.
- With a width of approximately 4 inches, this light is ideally sized for installation on American fences, stair posts, and steps.

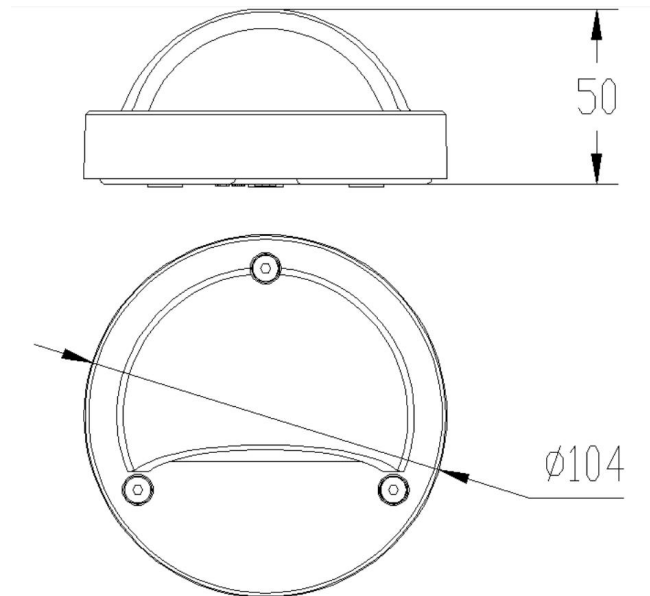
ADDITIONAL COMPONENTS

- Includes three sets of stainless steel backplate screws with pre-fitted rubber gaskets for a watertight seal, and three expansion screws, all with a Phillips head design.
- Also provided are two waterproof wire nuts for secure outdoor electrical connections and one mounting template for easy installation.

LED AND OPTICAL PERFORMANCE

- The fixture is equipped with 20 SMD 2835 LED beads, offering a luminosity of 170 lumens at 2700K, 180 lumens at 3000K, and 200 lumens at 4000K, with a color rendering index (CRI) of 80, ensuring accurate color representation in its lighting output.

PRODUCT DIAGRAM



Size in mm
1" = 25.4mm.

Dual-Purpose Step and Deck Lights

Slim and safe, dual-purpose low-voltage lighting for steps and decks.



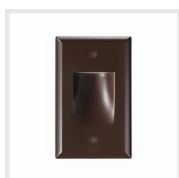
Tende Orizzontali Step & Deck Light



Retro Baffle Step & Deck Light

277V Compatible Commercial Step Lighting

Seamlessly integrates with commercial voltages.



ZincTech Commercial Upright Gradience Step & Deck Light



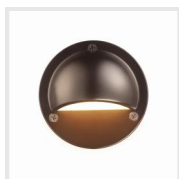
ZincTech Commercial Parallel Gradience Step & Deck Light



ZincTech Commercial Louvered Step & Deck Light

Classic Glow Series

Retro design meets modern lighting.



Semisfera Deck & Rail Light



Quadrifoglio Deck & Rail Light



Pro Parallel Retro Louvered Step & Deck Light

Modern Elegance Series

Blending utility with modern aesthetics.



Affusolato Deck & Rail Light



Nova Deck & Rail Light



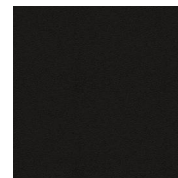
Vertebre Deck & Rail Light

All Color Options

some models may have limited choices.



Satin Nickel



Matte Black



Oiled Rubbed Bronze

Compatible Accessories



Outdoor Transformer, AC to DC, 12V 60W, Timer & Photocell



Outdoor Transformer, AC to DC, 12V 100W, Timer & Photocell



Outdoor Transformer, AC to DC, 12V 120W, Timer & Photocell



Waterproof Wire Nuts - Large (For terminals/multiple connections, fits 12AWG - 22AWG, up to 8 wires of 16/2)



Waterproof Wire Nuts - Medium (Fits 14AWG - 22AWG, up to 3 wires of 16/2)



Low Voltage Landscape Lighting Cable, 16/2

Note: Also available in 10/2, 12/2, 14/2 sizes.



Landscape Light Wire Connector (14-16 AWG Compatible)



EasyConnect Wire Connector (14-16 AWG Compatible)