

### WARRANTY & RATING



### SPECIFICATIONS

- Wattage: 3.5W
- Voltage: AC120V
- Luminous Flux: 150lm
- Beam Angle: 30°
- Color Rendering Index (CRI): 90
- Lifespan: 30,000 hours
- Light Source: LED
- Color Temperature (CCT): 3000K/4000K/5000K selectable
- Waterproof Rating: IP65
- Operating Temperature: -4°F - 104°F
- Material: Aluminum & iron

### PRODUCT DESCRIPTION

Discover LEONLITE's 3CCT 120V LED Step Lights, featuring a hidden light source to prevent glare, and a smooth 5%-100% dimmable range. Suitable for both indoor and outdoor settings, these lights offer three selectable color temperatures, ensuring consistent lighting in any environment. The high CRI90 enhances visual comfort, making them ideal for staircases and walls.

### FEATURES & BENEFITS

- Anti-Glare Design: Hidden light source minimizes discomfort and eye strain.
- Color Temperature Choice: 3000K/4000K/5000K options, ensuring consistent lighting.
- Adjustable Brightness: Dimmable from 5% to 100%, tailoring light to your needs.
- Waterproof and Durable: IP65 rated, ideal for both indoor and outdoor settings.
- Simple Integration: Easily replaces old lights, compatible with standard junction boxes.
- True Color Rendering: High CRI90+ for vibrant, natural-looking colors.

### POWER AND ELECTRICAL FEATURES

- ETL Certified Product: Ensures safety and reliability, operating at AC120V and 60Hz with a current of 30mA, suitable for standard gang junction boxes.
- UL Listed Wiring and Plugs: Features brass wiring and P3 terminal connectors for secure electrical connections.

### DESIGN AND STRUCTURE

- Material and Finish: Aluminum faceplate with iron clasp, available in Oil Rubbed Bronze, Ebony Black, and White models.
- Anti-Glare Design: Concealed light source to minimize glare.
- Comes with a waterproof gasket, but caulking is suggested for enhanced waterproofing outdoors.

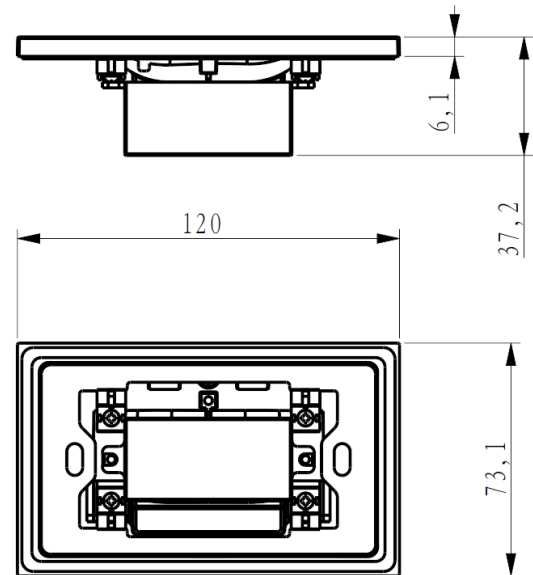
### ADDITIONAL COMPONENTS

- Iron Bracket: Includes 1 bracket, size approximately 4.13 × 2.34 × 0.06 inches.
- Screws: Comes with 2 screws, each 8#-32 size and 0.87 inches long.
- Wire Caps: Provides 3 wire caps, each about 0.49 inches in diameter and 0.86 inches long.

### LED AND OPTICAL PERFORMANCE

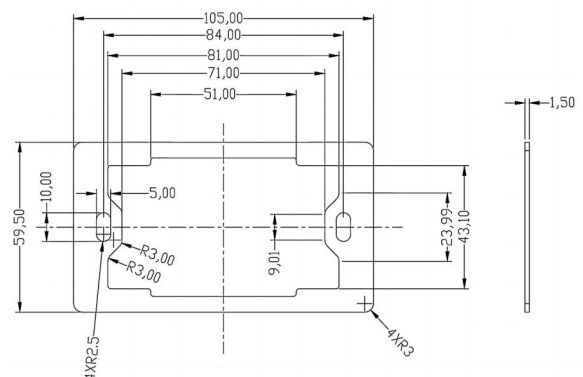
- PCB Dimensions: The board is 0.53 inches wide and 1.61 inches thick.
- Dimmable Compatibility: Supports 5%-100% dimming range, compatible with several dimmer models including Lutron DV-600P, PD-6WCL, MACL-153M, 603P, and Leviton DSL06, RNL06.
- LED Specs: Utilizes 12 SMD2835 LEDs, each with a luminous efficacy of 120 lm/w, a CRI of 90, operating at 150mA.

### PRODUCT DIAGRAM



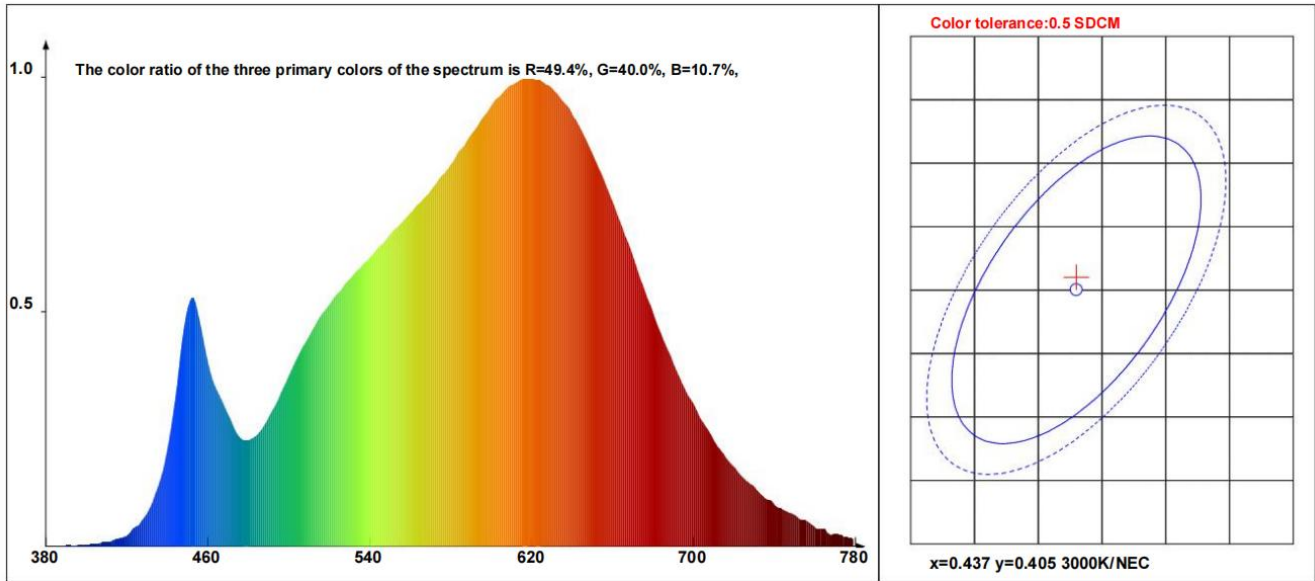
Size in mm  
1" = 25.4mm.

### ACCESSORIES DIAGRAM



Size in mm  
1" = 25.4mm.

## PHOTOMETRICS (3000K)



### Colorimetric parameters

Chromaticity coordinates: x=0.4370 y=0.4060 u=0.2498 v=0.3481 duv=0.0008

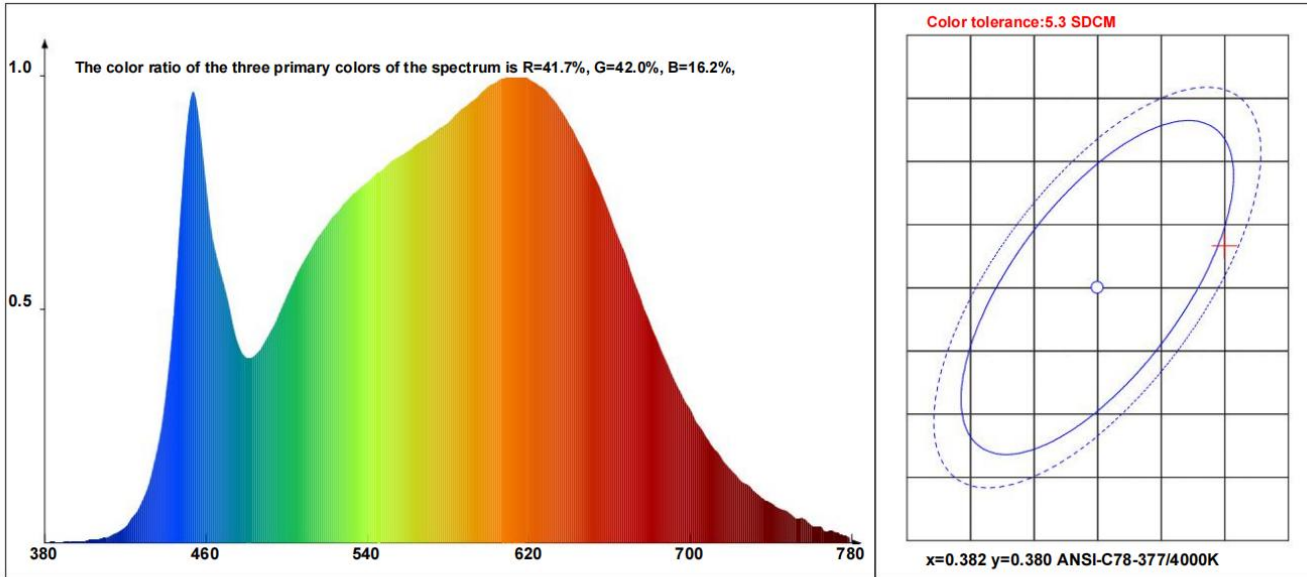
Correlated color temperature: 3015K Dominant wavelength : 582.5nm Color purity :

53.0% Luminous flux Color ratio: R=23.9%, G=74.4%, B=1.7% Peak wavelength: 618.8nm and a half Width : 161.8nm

### Color rendering index: Ra= 90.1

R1 =90	R2 =94	R3 =96	R4 =93	R5 =91	R6 =91	R7 =89	R8 =78
R9 =54	R10=86	R11=93	R12=75	R13=90	R14=97	R15=86	

## PHOTOMETRICS (4000K)



### Colorimetric parameters

Chromaticity coordinates:  $x=0.3918$   $y=0.3830$   $u=0.2301$   $v=0.3373$   $duv=-0.0002$

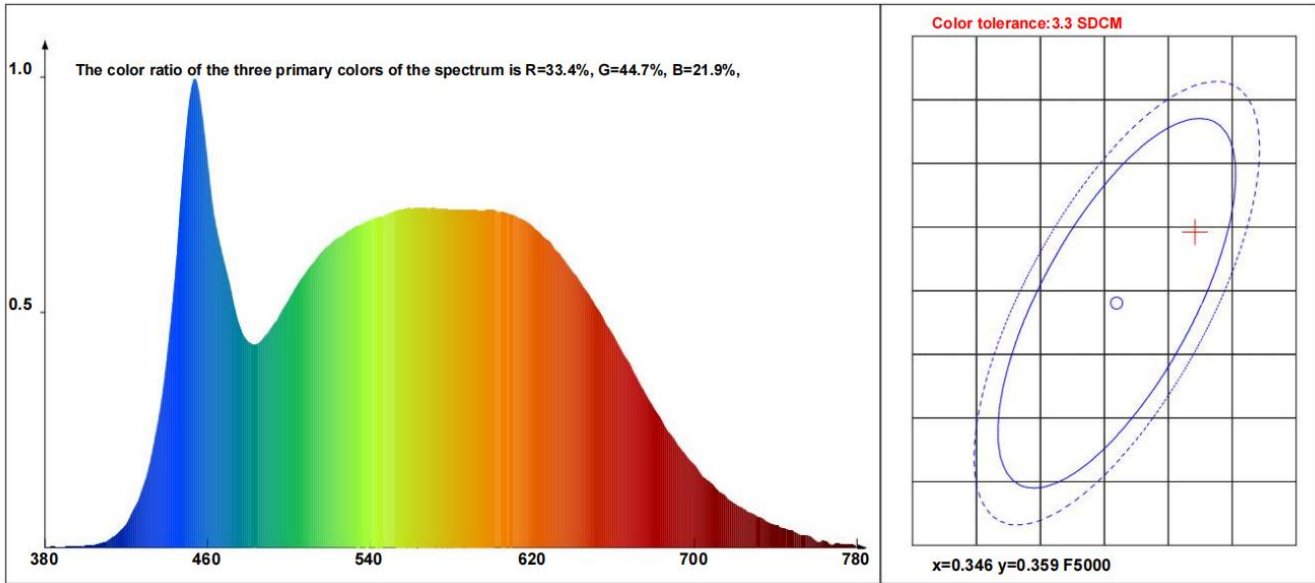
Correlated color temperature: 3752K Dominant wavelength : 580.1nm Color purity :

32.6% Luminous flux Color ratio: R=20.6%, G=76.8%, B=2.6% Peak wavelength: 613.7nm and a half Width :179.6nm

### Color rendering index: Ra= 92.8

R1 =93	R2 =97	R3 =98	R4 =92	R5 =92	R6 =93	R7 =93	R8 =85
R9 =64	R10=91	R11=92	R12=73	R13=95	R14=98	R15=91	

## PHOTOMETRICS (5000K)



### Colorimetric parameters

Chromaticity coordinates:  $x=0.3521$   $y=0.3646$   $u=0.2111$   $v=0.3279$   $duv=0.0037$   
 Correlated color temperature: 4798K Main wavelength : 572.0nm Color purity : 15.1%  
 Luminous flux Color ratio: R=17.1%, G=79.4%, B=3.4% Peak wavelength: 454.6nm and a half Width :31.2nm

### Color rendering index: Ra= 90.8

R1 =91	R2 =95	R3 =97	R4 =88	R5 =88	R6 =91	R7 =93	R8 =83
R9 =54	R10=87	R11=88	R12=67	R13=92	R14=99	R15=87	

## Dual-Purpose Step and Deck Lights

Slim and safe, dual-purpose low-voltage lighting for steps and decks.



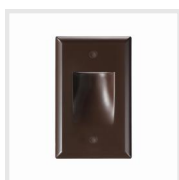
Tende Orizzontali Step & Deck Light



Retro Baffle Step & Deck Light

## 277V Compatible Commercial Step Lighting

Seamlessly integrates with commercial voltages.



ZincTech Commercial Upright Gradience Step & Deck Light



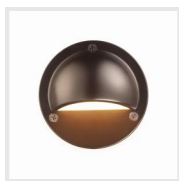
ZincTech Commercial Parallel Gradience Step & Deck Light



ZincTech Commercial Louvered Step & Deck Light

## Classic Glow Series

Retro design meets modern lighting.



Semisfera Deck & Rail Light



Quadrifoglio Deck & Rail Light



Pro Parallel Retro Louvered Step & Deck Light

## Modern Elegance Series

Blending utility with modern aesthetics.



Affusolato Deck & Rail Light



Nova Deck & Rail Light



Vertebre Deck & Rail Light

## All Color Options

some models may have limited choices.



Satin Nickel



Matte Black



Oiled Rubbed Bronze

## Compatible Accessories



Outdoor Transformer, AC to DC, 12V 60W, Timer & Photocell



Outdoor Transformer, AC to DC, 12V 100W, Timer & Photocell



Outdoor Transformer, AC to DC, 12V 120W, Timer & Photocell



Waterproof Wire Nuts - Large (For terminals/multiple connections, fits 12AWG - 22AWG, up to 8 wires of 16/2)



Waterproof Wire Nuts - Medium (Fits 14AWG - 22AWG, up to 3 wires of 16/2)



Low Voltage Landscape Lighting Cable, 16/2

**Note:** Also available in 10/2, 12/2, 14/2 sizes.



Landscape Light Wire Connector (14-16 AWG Compatible)



EasyConnect Wire Connector (14-16 AWG Compatible)