



WARRANTY & RATING



SPECIFICATIONS

- Wattage: 100W
- Voltage: 100-277V
- Luminous Flux: 8000lm
- Beam Angle: 120°
- Color Rendering Index (CRI): 80+
- Lifespan: 50,000 Hours
- Light Source: LED
- Color Temperature (CCT): RGBCW adjustable
- Waterproof Rating: IP65
- Operating Temperature: -4°F to 104°F (-20°C to 40°C)
- Material: Die-cast aluminum

PRODUCT DESCRIPTION

The ultra-bright outdoor flood light, designed for illuminating extensive parts of buildings and billboards, features a multi-LED cell design for uniform lighting and slow brightness degradation. Its brightness is sufficient to illuminate an entire backyard. RGB full-color ambient lighting features Bluetooth mesh for quick color changes in networked units, offering better performance over single-WiFi setups for a more dynamic lighting experience.

FEATURES & BENEFITS

- Certified by ETL and DLC, ensuring safety, efficiency, and compliance
- Compatible with 277V U.S. commercial voltage
- 8000lm and 120° beam, bright enough for an entire backyard
- Easy-install fixture with 1/2" NPS bracket and 180° adjustable rotatable knuckle
- RGB lighting with Bluetooth mesh for quick, colorful changes, better than Wi-Fi
- Voice-activated with Alexa, Google, Siri for hands-free control

POWER AND ELECTRICAL FEATURES

- The entire lighting fixture is certified by ETL and DLC, ensuring compliance with relevant standards for safety and energy efficiency. It operates at a voltage range of 100-277V, with a current fluctuating between 1A and 0.38A. The fixture has a rated power of 100W, producing a luminous flux of 8000lm, which is approximately equivalent to a 1000W incandescent bulb.
- The lighting fixture employs an isolated power scheme with copper wiring. The wire gauge is specified as 18AWG SJTW UL-certified power cord.

DESIGN AND STRUCTURE

- The fixture features a multi-LED cell design, ensuring uniform lighting effects and slow brightness degradation. It's ultra-bright with a wide-angle design, capable of illuminating an extensive area equivalent to an entire backyard of a standard residence.
- The product includes a Knuckle Mount bracket for easy installation, compatible with a 1/2" NPS threaded mounting bracket. It offers convenience with a 180° rotatable knuckle mounting, allowing for free angle adjustment.
- The fixture's design incorporates Bluetooth mesh networking to facilitate low-latency color transitions in large-scale lighting arrays, providing superior performance compared to traditional single-WiFi configurations.

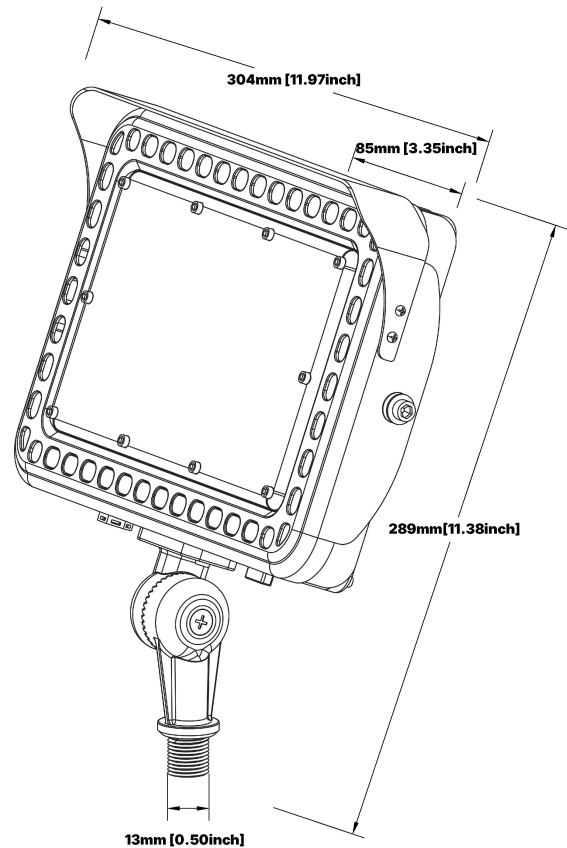
ADDITIONAL COMPONENTS

- Waterproof Wire Connectors
- Mounting Screws
- Light Shield Cap
- Mounting Base

LED AND OPTICAL PERFORMANCE

- The luminaire features 360 RGBCW LEDs, combining 5050(RGB) and 3030(CW) sizes in an SMD type. Each LED operates at 850mA, with a Color Rendering Index (CRI) of ≥ 80 RA and an efficacy of 80lm/w.

PRODUCT DIAGRAM



Size in mm
 1" = 25.4mm.

PHOTOMETRICS

Distance (ft)	Beam Spread (ft)	Footcandles	Illuminated Area (sq ft)
10	35	6.5	1225
20	69	1.7	4761
30	104	0.7	10816
40	139	0.4	19321
50	173	0.3	29929
60	208	0.2	43264

Note: Our PHOTOMETRICS are for reference only, reflecting ideal conditions.

